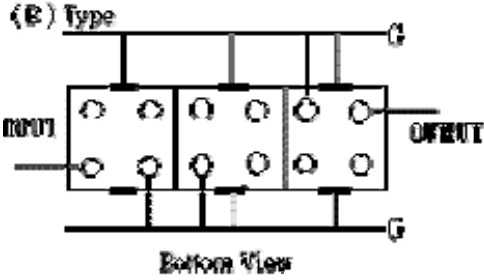
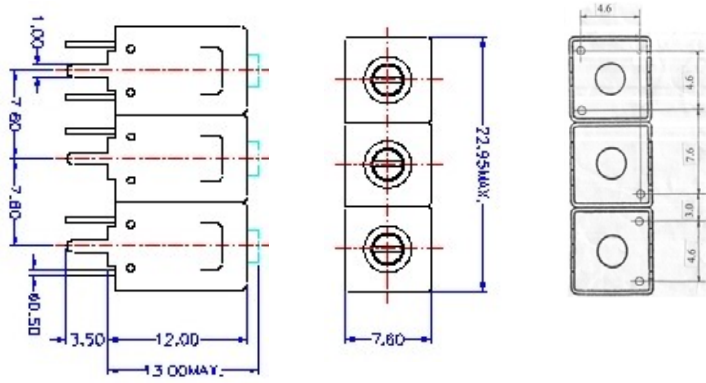


VHF UHF Helical Filter Specification Sheet

Customer Name		Temwell's Part No.	TT67694B-100M
Approval No. /dated	20507037DC	Acceptable Specify Fo. Range	96~107MHz
Work Instruction No.	20507037DC	Date	Jul.15.2005

(1)Pin Position	(2)Size Diagram
 <p style="text-align: center;">Bottom View</p>	

(3)Electric Character			
Item	Specify	Performance	
Center Freq.(Fo) +/- 0.5 %	100 MHz	100	MHz
Tunable Range	100±2 MHz	100±2	MHz
Insertion Loss	Typ. 3 dB	1.77	dB
-3 dB Bandwidth	Typ. 13 MHz	15	MHz
Sensitivity (Attenuation)	Fo - 30 MHz	Typ. 44	dBc
	Fo + 30 MHz	Typ. 35	dBc
	Fo - ()MHz	Typ.	dBc
	Fo +()MHz	Typ.	dBc
Return Loss	Min. 12 dB	27.6	dB
Ripple	< 1 dB		dB
Impedance	In / Out : 50 Ω	In / Out : 50 Ω	

(4)Torque for Tuning Screw	> 100gf • cm
----------------------------	--------------

(5)Temperature Condition:	
Operating Temperature	0°C ~ +60°C
Storage Temperature	-20°C ~ +70°C

(6)Input Power	> 1Watt
----------------	---------

Approval	Supervisor	Designer	Aperture size
C.Y. Chang	C.S. Chang	C.S. Chang	7H3S(4*7.5)F 7H00LB6

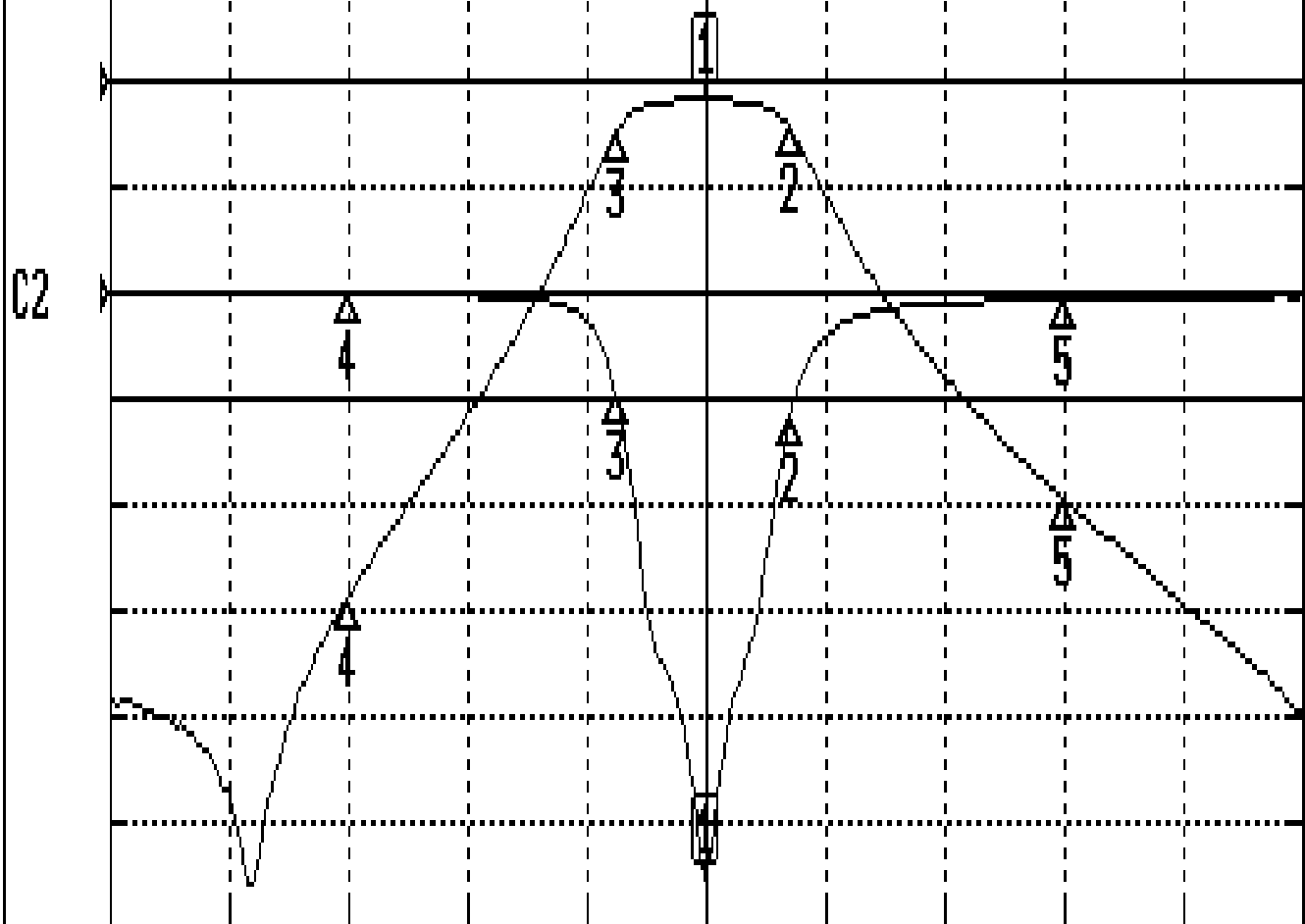
TEMWELL CORPORATION

Performance-TT67694B-100M

20507037DC

CH1 S11&S21 LOG MAG REF 0.000 dB 5.000 dB/

MKR 1: 100MHz
-27.685 dB -1.772 dB



CENTER 100MHz

[10.00 dBm]

SPAN 100MHz

CH1 MARKER LIST

1:	100.000MHz	-27.685 dB	-1.772 dB
2:	107.166MHz	-5.788 dB	-4.734 dB
3:	92.583MHz	-4.979 dB	-4.790 dB
4:	70.000MHz	-0.897 dB	-48.790 dB
5:	130.000MHz	-0.278 dB	-39.461 dB