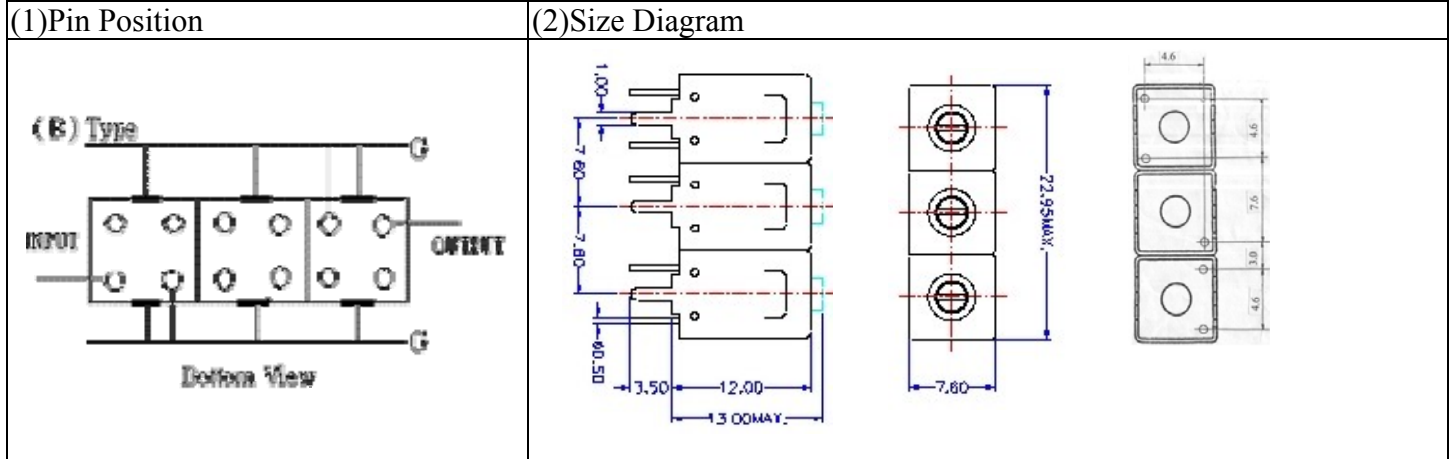


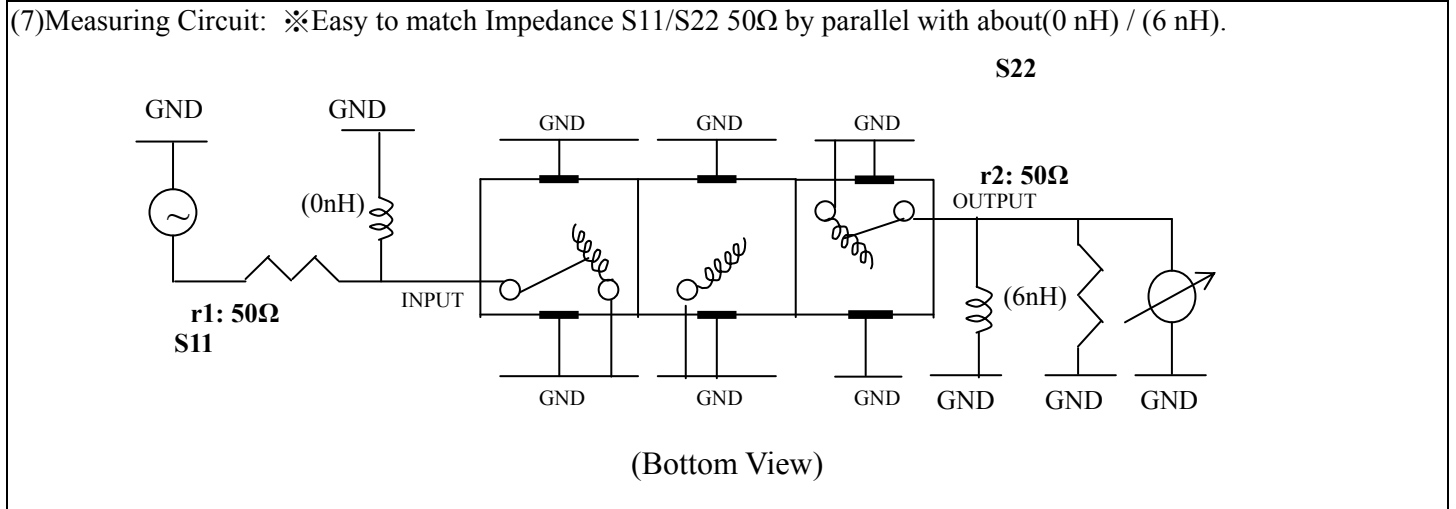
VHF UHF Helical Filter Specification Sheet

Customer Name		Temwell's Part No.	TT67696B-260M
Approval No. /dated	20507039APR	Acceptable Specify Fo. Range	246~275MHz
Work Instruction No.	20507039DC	Date	Jul.19.2004



(3) Electric Character			
Item	Specify		Performance
Center Freq.(Fo) +/- 0.5 %	260	MHz	260 MHz
Tunable Range	260±4	MHz	260±4 MHz
Insertion Loss	Typ.	2.0 dB	1.34 dB
-3 dB Bandwidth	Typ.	20 MHz	23.0 MHz
Sensitivity (Attenuation)	Fo - 50 MHz	Typ.	45 dBc
	Fo + 50 MHz	Typ.	40 dBc
	Fo - ()MHz	Typ.	dBc
	Fo +()MHz	Typ.	dBc
Return Loss	Min.	12 dB	36 dB
Ripple		< 1 dB	dB
Impedance	In / Out : 50 Ω		In / Out : 50 Ω
(4) Torque for Tuning Screw	> 100gf · cm		

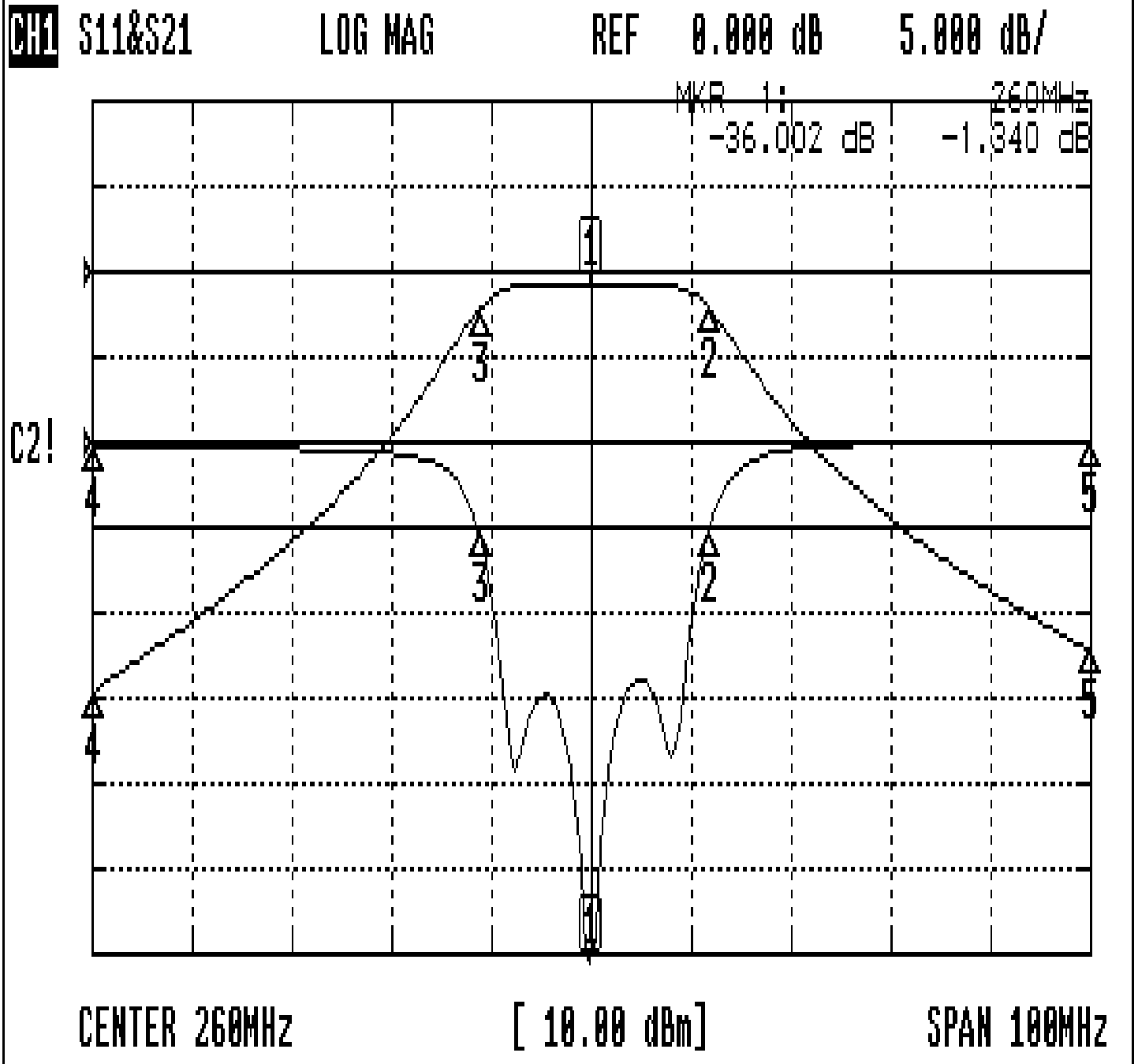
(5) Temperature Condition:	
Operating Temperature	0°C ~ +60°C
Storage Temperature	-20°C ~ +70°C
(6) Input Power	> 1 Watt



Approval	Supervisor	Designer	Aperture size
C.Y. Chang	C.S. Chang	C.S. Chang	7H3S(4*5.5) 7H046RB5.5

Performance-TT67696B-260M

20507039DC



CH1 MARKER LIST

1:	260.000MHz	-36.002 dB	-1.340 dB
2:	271.833MHz	-5.109 dB	-4.314 dB
3:	248.833MHz	-5.405 dB	-4.290 dB
4:	210.000MHz	-0.282 dB	-49.300 dB
5:	310.000MHz	0.126 dB	-44.397 dB