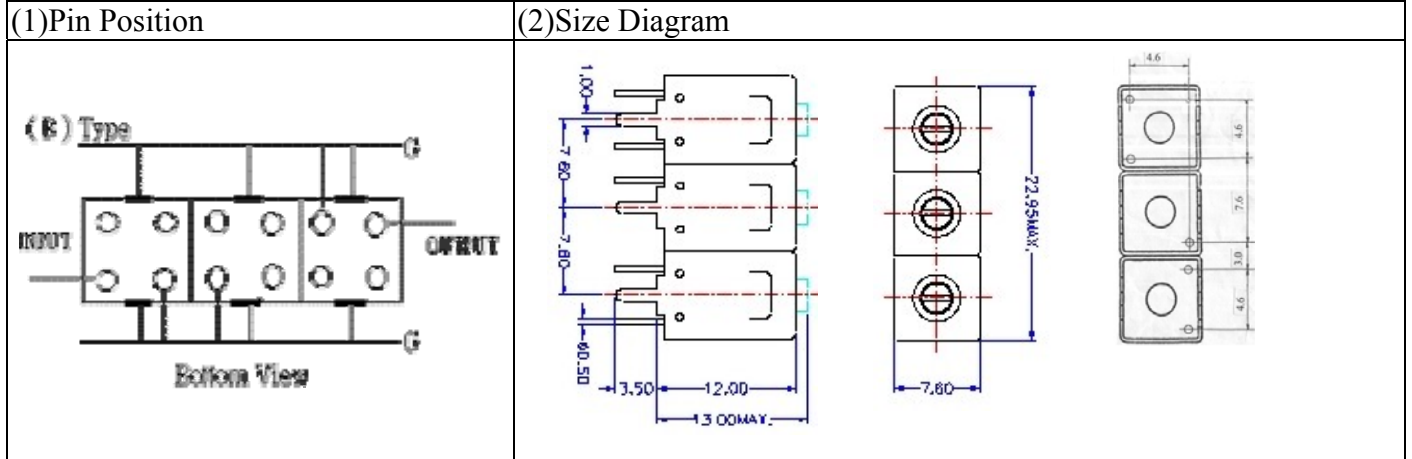
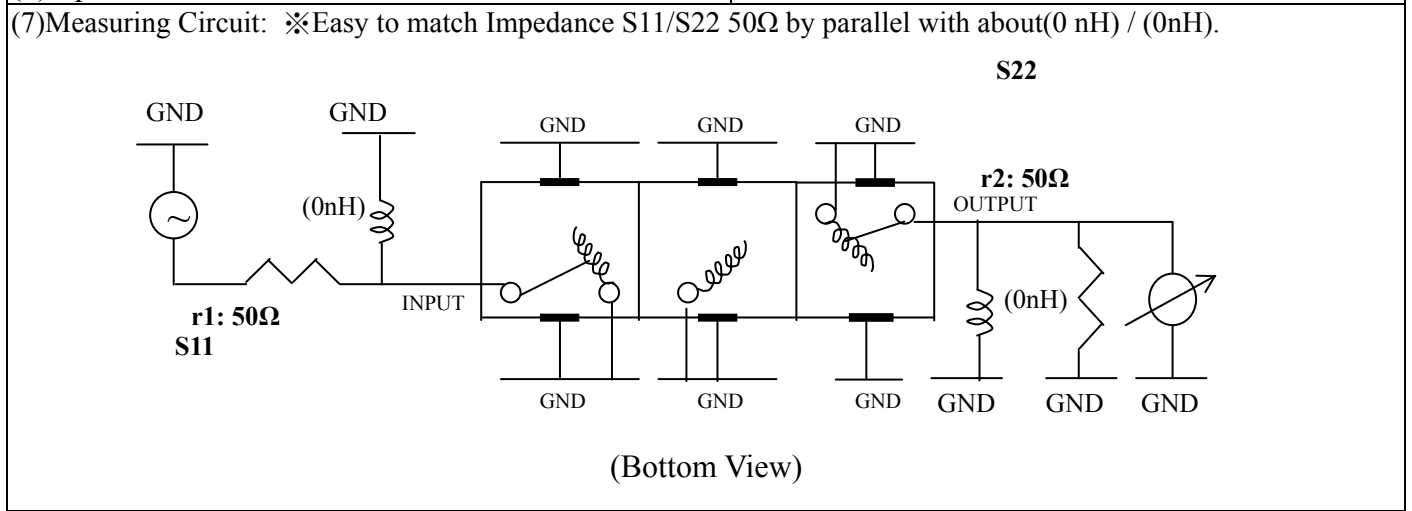


VHF UHF Helical Filter Specification Sheet

Customer Name		Temwell's Part No.	TT67698B-293M
Approval No. /dated	20507041APR	Acceptable Specify Fo. Range	276~310MHz
Work Instruction No.	20507041DC	Date	Jul.19.2005



(3) Electric Character					
Item		Specify		Performance	
Center Freq.(Fo) +/- 0.5 %		293 MHz		293 MHz	
Tunable Range		293±3 MHz		293±3 MHz	
Insertion Loss		Typ. 2 dB		0.87 dB	
-3 dB Bandwidth		Typ. 30 MHz		35 MHz	
Sensitivity (Attenuation)	Fo - 50 MHz	Typ. 30 dBc		35 dBc	
	Fo + 50 MHz	Typ. 21 dBc		25 dBc	
	Fo - ()MHz	Typ. dBc		dBc	
	Fo +()MHz	Typ. dBc		dBc	
Return Loss		Min. 12 dB		45 dB	
Ripple		< 1 dB		dB	
Impedance		In / Out : 50 Ω		In / Out : 50 Ω	
(4) Torque for Tuning Screw		> 100gf · cm			
(5) Temperature Condition:					
Operating Temperature		0°C ~ +60°C			
Storage Temperature		-20°C ~ +70°C			
(6) Input Power		> 1Watt			

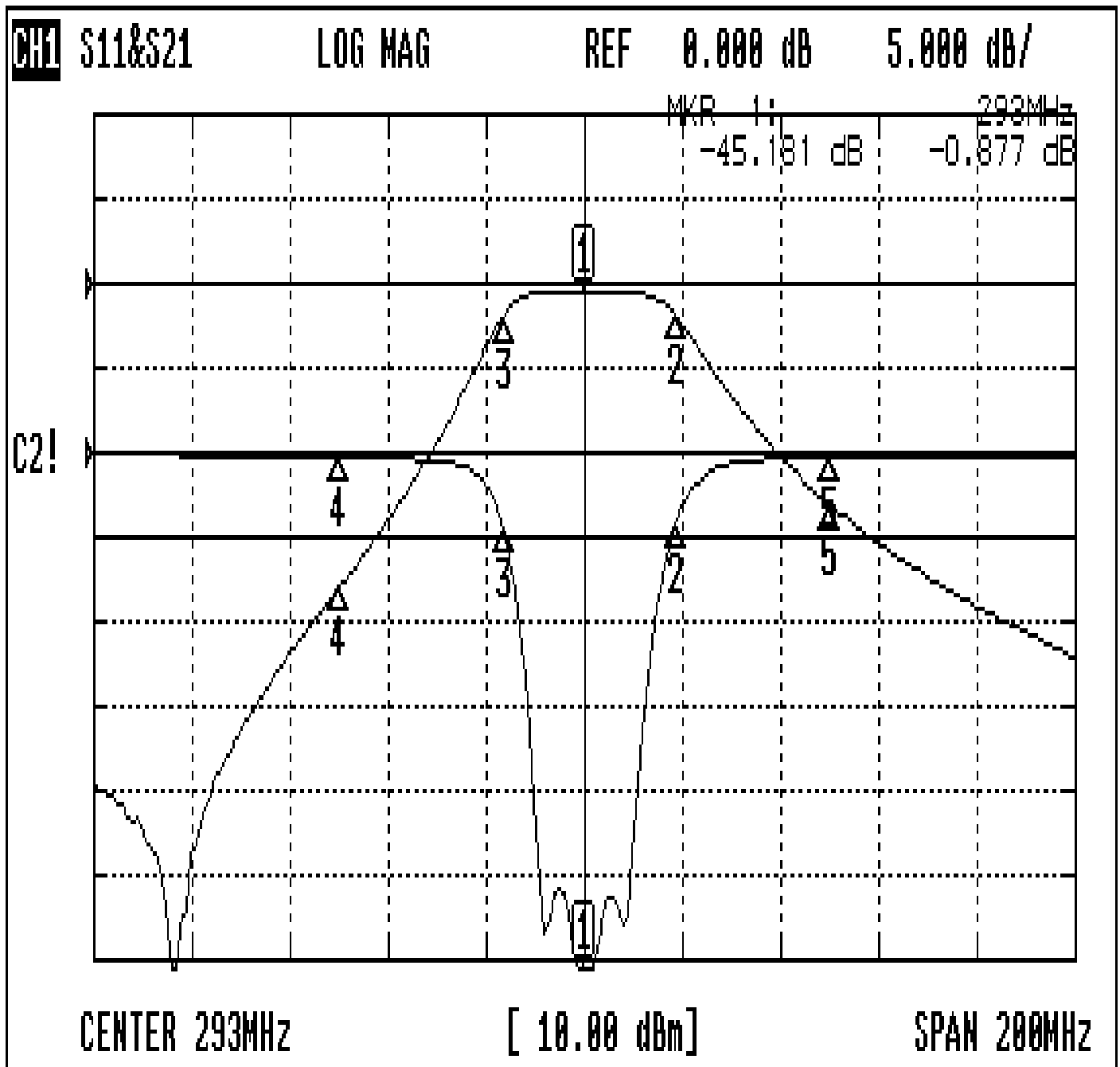


Approval	Supervisor	Designer	Aperture size
C.Y. Chang	C.S. Chang	Enlan	7H3, 4*7.5(7.52) 7H046RB5.5

TEMWELL CORPORATION

Performance-TT67698B-293M

20507041DC



CH1 MARKER LIST

1:	293.000MHz	-45.472 dB	-0.874 dB
2:	311.666MHz	-4.241 dB	-3.848 dB
3:	276.600MHz	-4.542 dB	-3.850 dB
4:	243.000MHz	-0.308 dB	-36.039 dB
5:	343.000MHz	-0.340 dB	-26.113 dB