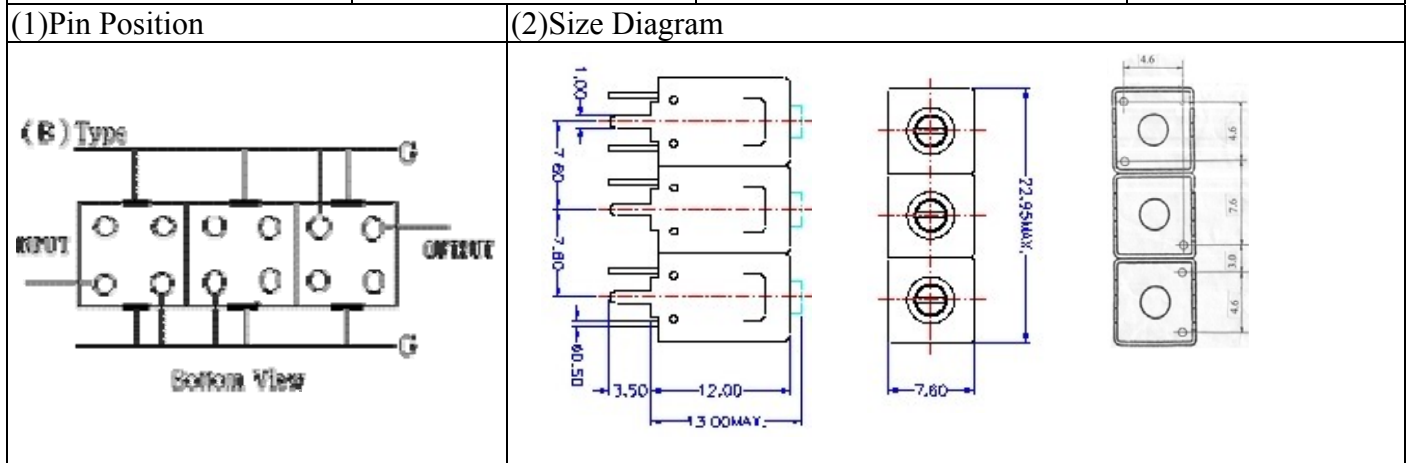


VHF UHF Helical Filter Specification Sheet

Customer Name		Temwell's Part No.	TT67699B-378M
Approval No. /dated	20507042DC	Acceptable Specify Fo. Range	356~400MHz
Work Instruction No.	20507042DC	Date	Jul.19.2005



(3) Electric Character

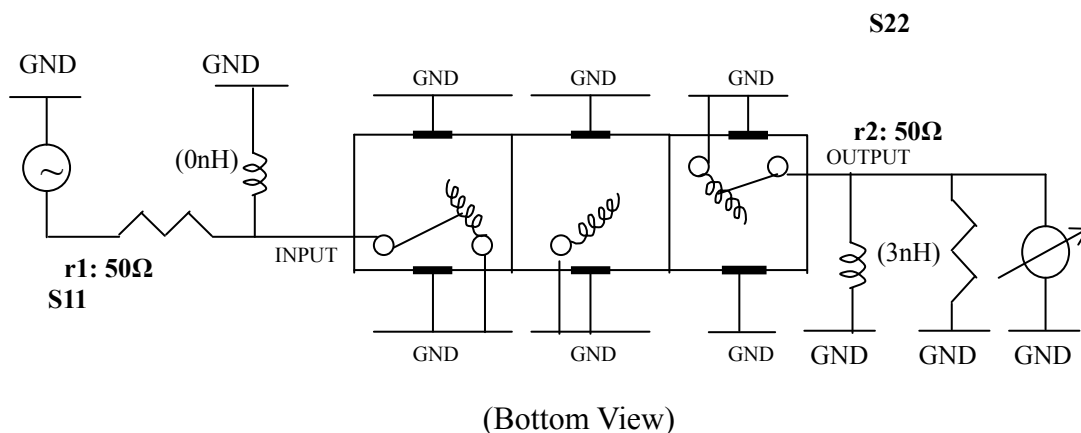
Item	Specify	Performance
Center Freq.(Fo) +/- 0.5 %	378 MHz	378 MHz
Tunable Range	378±4 MHz	378±4 MHz
Insertion Loss	Typ. 2.0 dB	1.32 dB
-3 dB Bandwidth	Typ. 30 MHz	33.6 MHz
Sensitivity (Attenuation)	Fo - 50 MHz	Typ. 32 dBc
	Fo + 50 MHz	Typ. 28 dBc
	Fo - ()MHz	Typ. dBc
	Fo +()MHz	Typ. dBc
Return Loss	Min. 12 dB	25 dB
Ripple	< 1 dB	dB
Impedance	In / Out : 50 Ω	In / Out : 50 Ω
(4) Torque for Tuning Screw	> 100gf · cm	

(5) Temperature Condition:

Operating Temperature	0°C ~ +60°C
Storage Temperature	-20°C ~ +70°C

(6) Input Power

(7) Measuring Circuit: ※Easy to match Impedance S11/S22 50Ω by parallel with about(0 nH) / (3 nH).



Approval	Supervisor	Designer	Aperture size
C.Y. Chang	C.S. Chang	C.S. Chang	7H3S(4*6.5) 7H046LB5

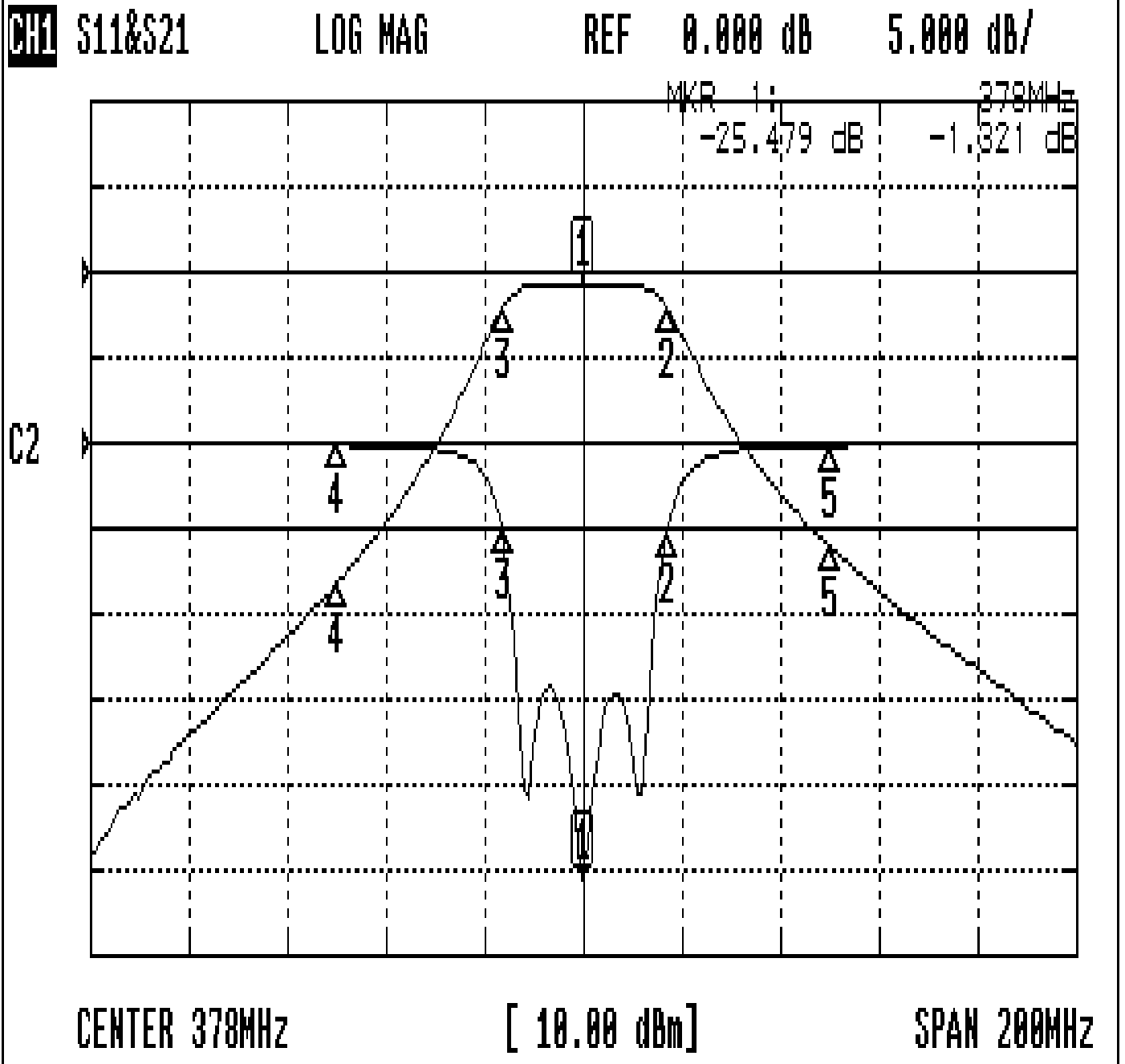
TEMWELL CORPORATION

TEMWELL

Form10-7H3B Vision D

Performance-TT67699B-378M

20507042DC



CH1 MARKER LIST

1:	378.000MHz	-25.479 dB	-1.321 dB
2:	395.166MHz	-5.037 dB	-4.308 dB
3:	361.500MHz	-5.132 dB	-4.287 dB
4:	328.000MHz	-0.124 dB	-36.389 dB
5:	428.000MHz	-0.144 dB	-32.199 dB