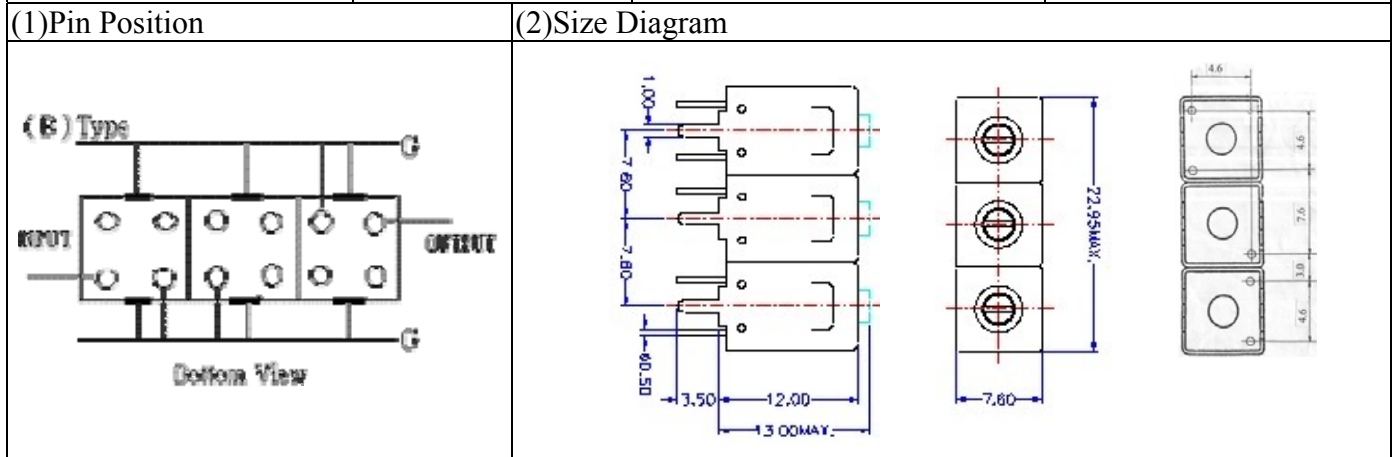


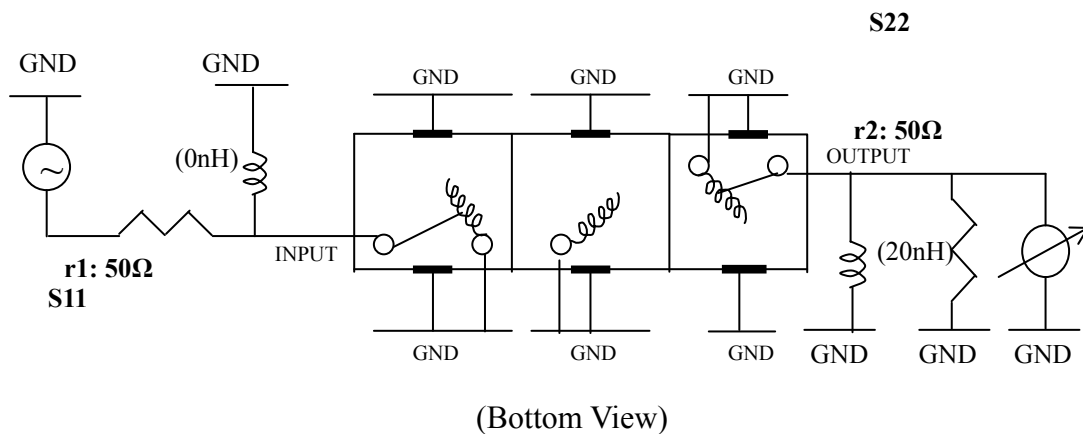
# VHF UHF Helical Filter Specification Sheet

Customer Name		Temwell's Part No.	TT67709B-152M
Approval No. /dated	20507060APR	Acceptable Specify Fo. Range	146~165MHz
Work Instruction No.	20507060DC	Date	Jul.21.2005



(3) Electric Character			
Item		Specify	Performance
Center Freq.(Fo) +/- 0.75 %		152 MHz	152 MHz
Tunable Range		152±2 MHz	152±2 MHz
Insertion Loss		Typ. 3.5 dB	2.65 dB
-3 dB Bandwidth		Typ. 5 MHz	7.5 MHz
Sensitivity (Attenuation)	Fo - 10 MHz	Typ. 28 dBc	31 dBc
	Fo + 10 MHz	Typ. 22 dBc	25 dBc
	Fo - ( )MHz	Typ. dBc	dBc
	Fo +( )MHz	Typ. dBc	dBc
Return Loss		Min. 12 dB	26 dB
Ripple		< 1 dB	dB
Impedance		In / Out : 50 Ω	In / Out : 50 Ω
(4) Torque for Tuning Screw		> 100gf · cm	
(5) Temperature Condition:			
Operating Temperature		-30°C ~ +70°C	
Storage Temperature		-30°C ~ +80°C	
(6) Input Power		> 1Watt	

(7) Measuring Circuit: ※Easy to match Impedance S11/S22 50Ω by parallel with about(0 nH) / (20 nH).



Approval	Supervisor	Designer	Aperture size
C.Y. Chang	C.S. Chang	C.S. Chang	7H3S(4*6.5) 7H024RB4

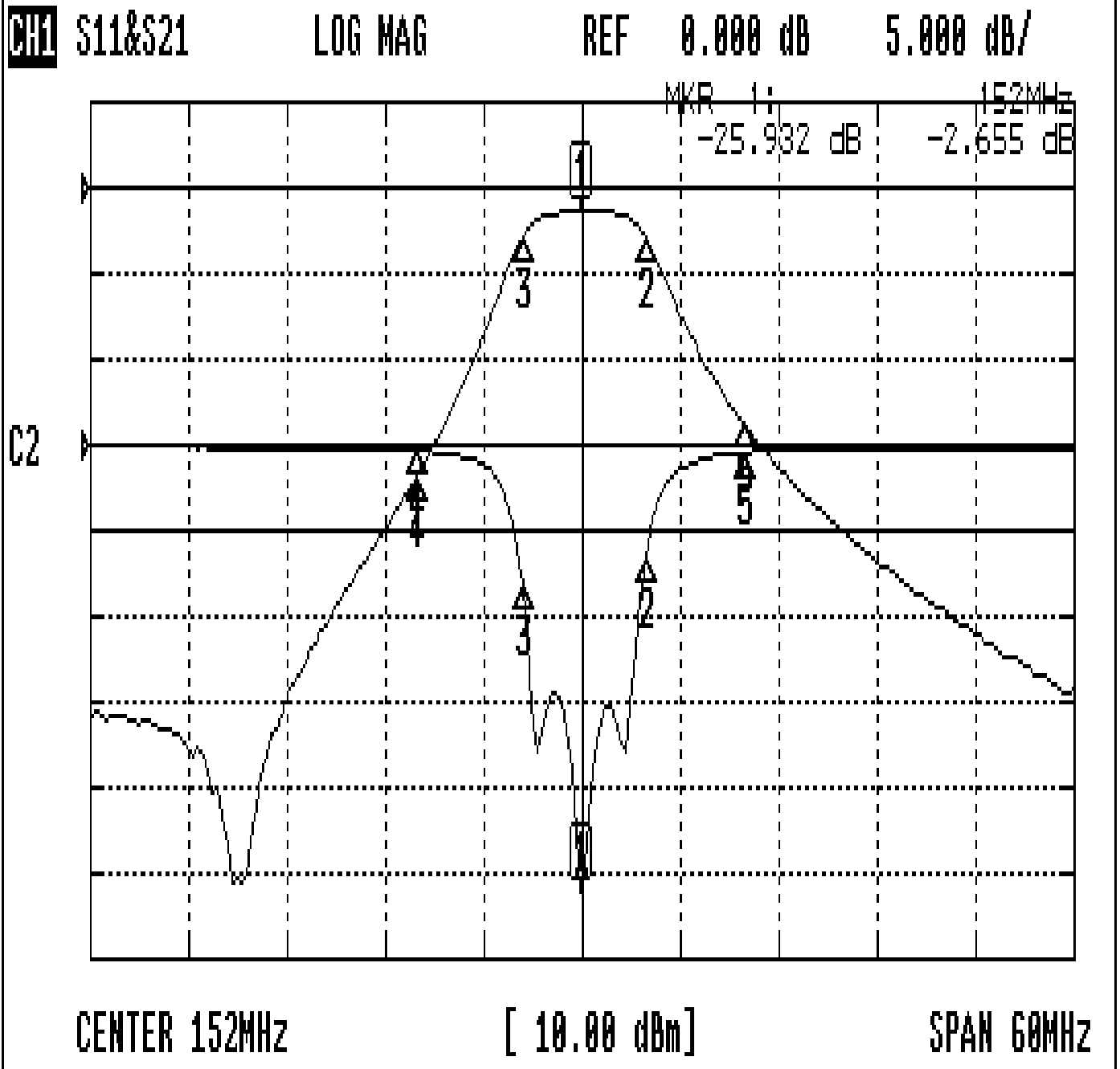
TEMWELL CORPORATION

TEMWELL

Form10-7H3B Vision D

# Performance-TT67709B-152M

## 20507060DC



### CH1 MARKER LIST

1:	152.000MHz	-25.932 dB	-2.655 dB
2:	155.900MHz	-6.639 dB	-5.680 dB
3:	148.400MHz	-8.273 dB	-5.564 dB
4:	142.000MHz	-0.341 dB	-33.308 dB
5:	162.000MHz	-0.413 dB	-27.845 dB