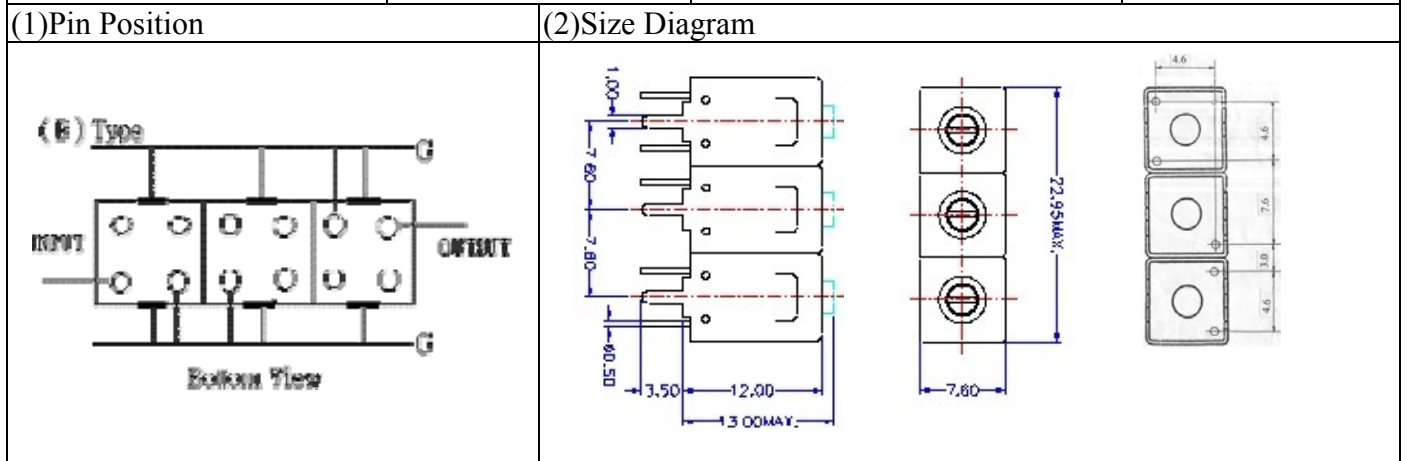


VHF UHF Helical Filter Specification Sheet

Customer Name		Temwell's Part No.	TT67710B-525M
Approval No. /dated	20507061DC	Acceptable Specify Fo Range	516~555MHz
Work Instruction No.	20507061DC	Date	Jul.21.2005



(3) Electric Character

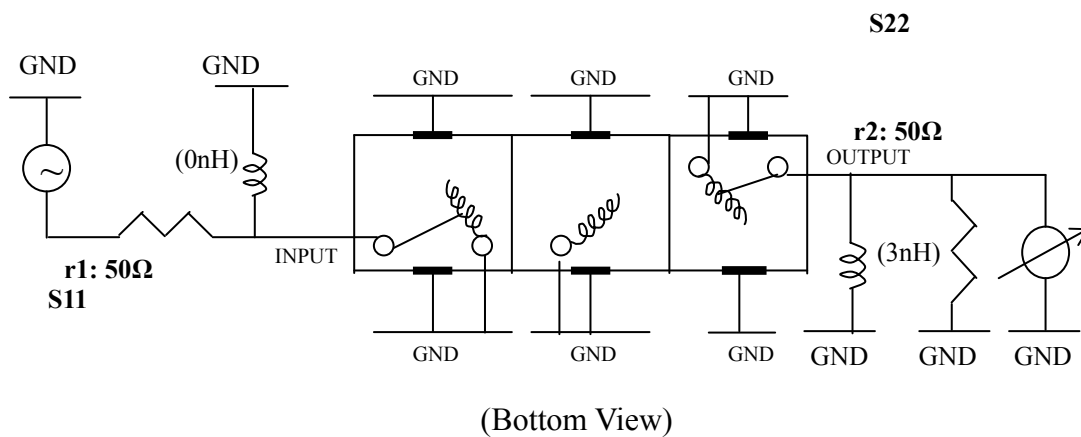
Item	Specify	Performance	
Center Freq.(Fo) +/- 0.5 %	525 MHz	525 MHz	
Tunable Range	525±5 MHz	525±5 MHz	
Insertion Loss	Typ. 5.0 dB	3.99 dB	
-3 dB Bandwidth	Typ. 6 MHz	10.4 MHz	
Sensitivity (Attenuation)	Fo - 20 MHz	Typ. 32 dBc	35 dBc
	Fo + 20 MHz	Typ. 25 dBc	28 dBc
	Fo - ()MHz	Typ. dBc	dBc
	Fo +()MHz	Typ. dBc	dBc
Return Loss	Min. 12 dB	25 dB	
Ripple	< 1 dB	dB	
Impedance	In / Out : 50 Ω	In / Out : 50 Ω	
(4) Torque for Tuning Screw	> 100gf · cm		

(5) Temperature Condition:

Operating Temperature	0°C ~ +60°C
Storage Temperature	-20°C ~ +70°C

(6) Input Power > 1Watt

(7) Measuring Circuit: ※Easy to match Impedance S11/S22 50Ω by parallel with about(0 nH) / (3 nH).



Approval	Supervisor	Designer	Aperture size
C.Y. Chang	C.S. Chang	C.S. Chang	7H3S(4*4.65) 7H046RB4

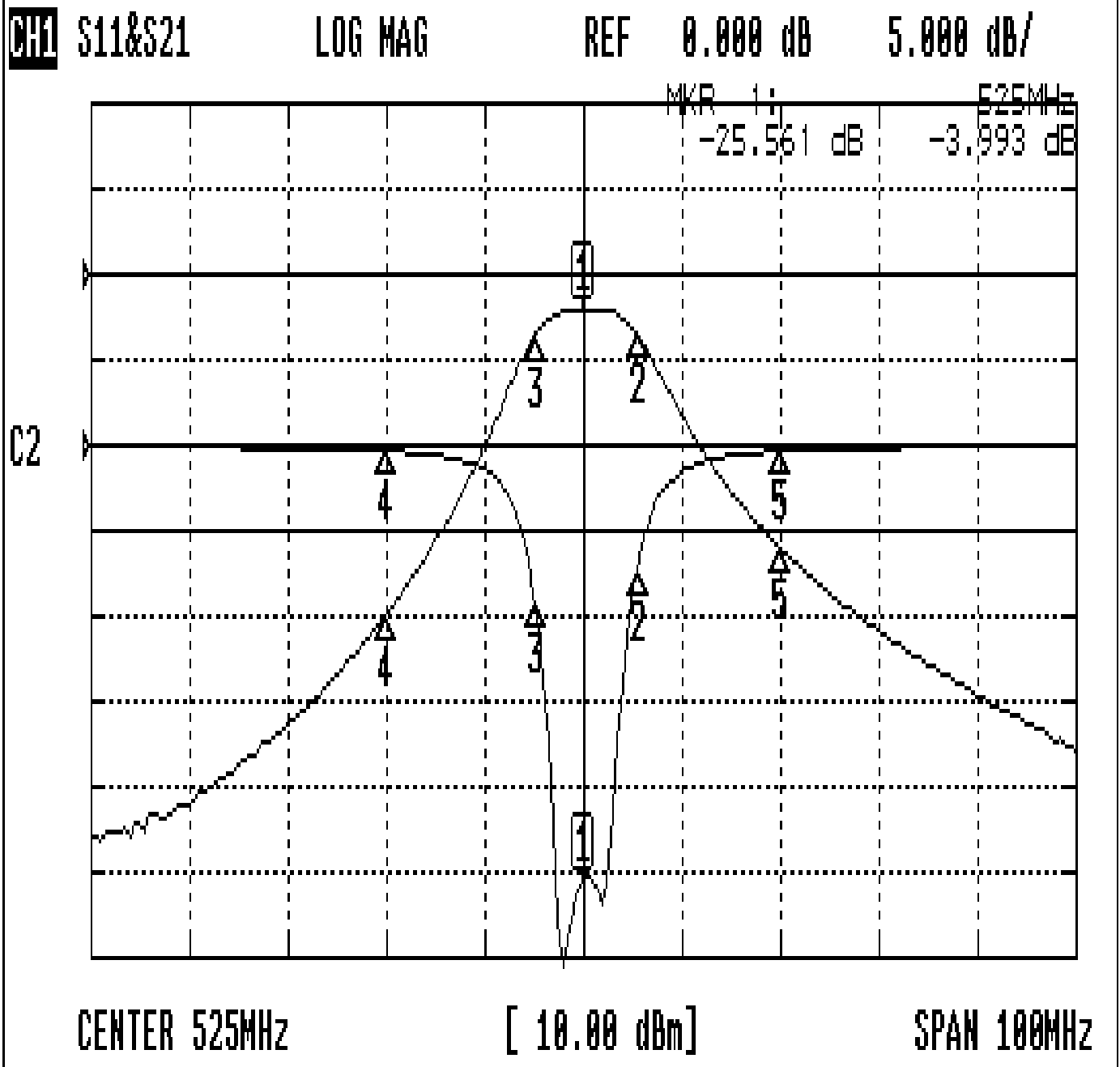
TEMWELL CORPORATION

TEMWELL

Form10-7H3B Vision D

Performance-TT67710B-525M

20507061DC



CH1 MARKER LIST

1:	525.000MHz	-25.561 dB	-3.993 dB
2:	530.500MHz	-7.270 dB	-7.005 dB
3:	520.166MHz	-9.333 dB	-7.008 dB
4:	505.000MHz	-0.341 dB	-39.766 dB
5:	545.000MHz	-0.321 dB	-32.047 dB