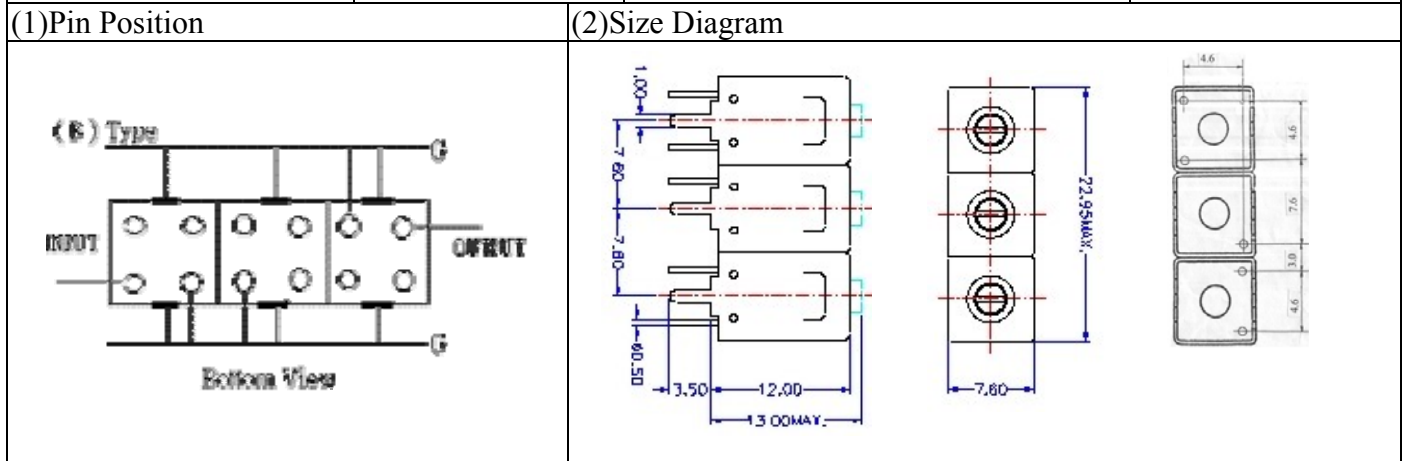


VHF UHF Helical Filter Specification Sheet

Customer Name		Temwell's Part No.	TT67712B-380M
Approval No. /dated	20507063DC	Acceptable Specify Fo. Range	356~400MHz
Work Instruction No.	20507063DC	Date	Jul.20.2005



(3) Electric Character

Item	Specify	Performance	
Center Freq.(Fo) +/- 0.5 %	380 MHz	380 MHz	
Tunable Range	380±4 MHz	380±4 MHz	
Insertion Loss	Typ. 2.0 dB	1.44 dB	
-3 dB Bandwidth	Typ. 20 MHz	23 MHz	
Sensitivity (Attenuation)	Fo - 50 MHz	Typ. 48 dBc	51 dBc
	Fo + 50 MHz	Typ. 36 dBc	39 dBc
	Fo - ()MHz	Typ. dBc	dBc
	Fo +()MHz	Typ. dBc	dBc
Return Loss	Min. 12 dB	53.5 dB	
Ripple	< 1 dB	dB	
Impedance	In / Out : 50 Ω	In / Out : 50 Ω	
(4) Torque for Tuning Screw	> 100gf · cm		

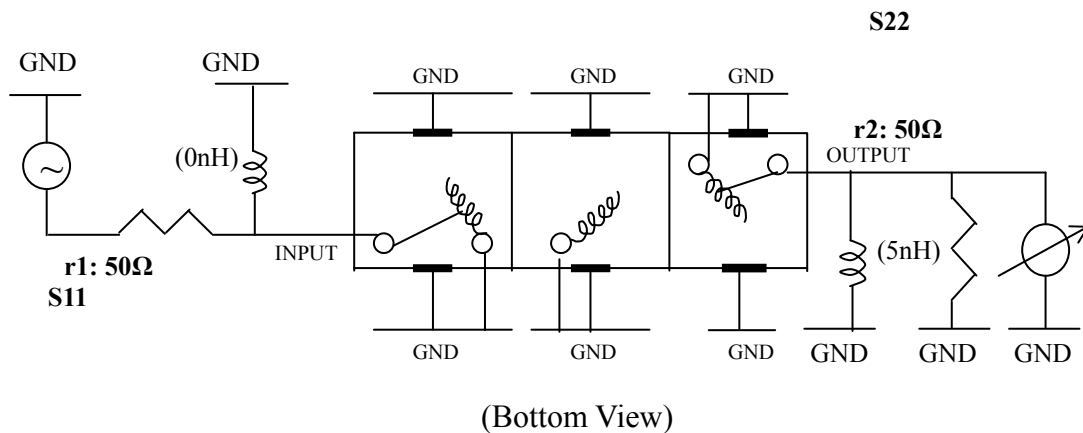
(5) Temperature Condition:

Operating Temperature	0°C ~ +60°C
Storage Temperature	-20°C ~ +70°C

(6) Input Power

> 1Watt

(7) Measuring Circuit: ※Easy to match Impedance S11/S22 50Ω by parallel with about(0 nH) / (5 nH).

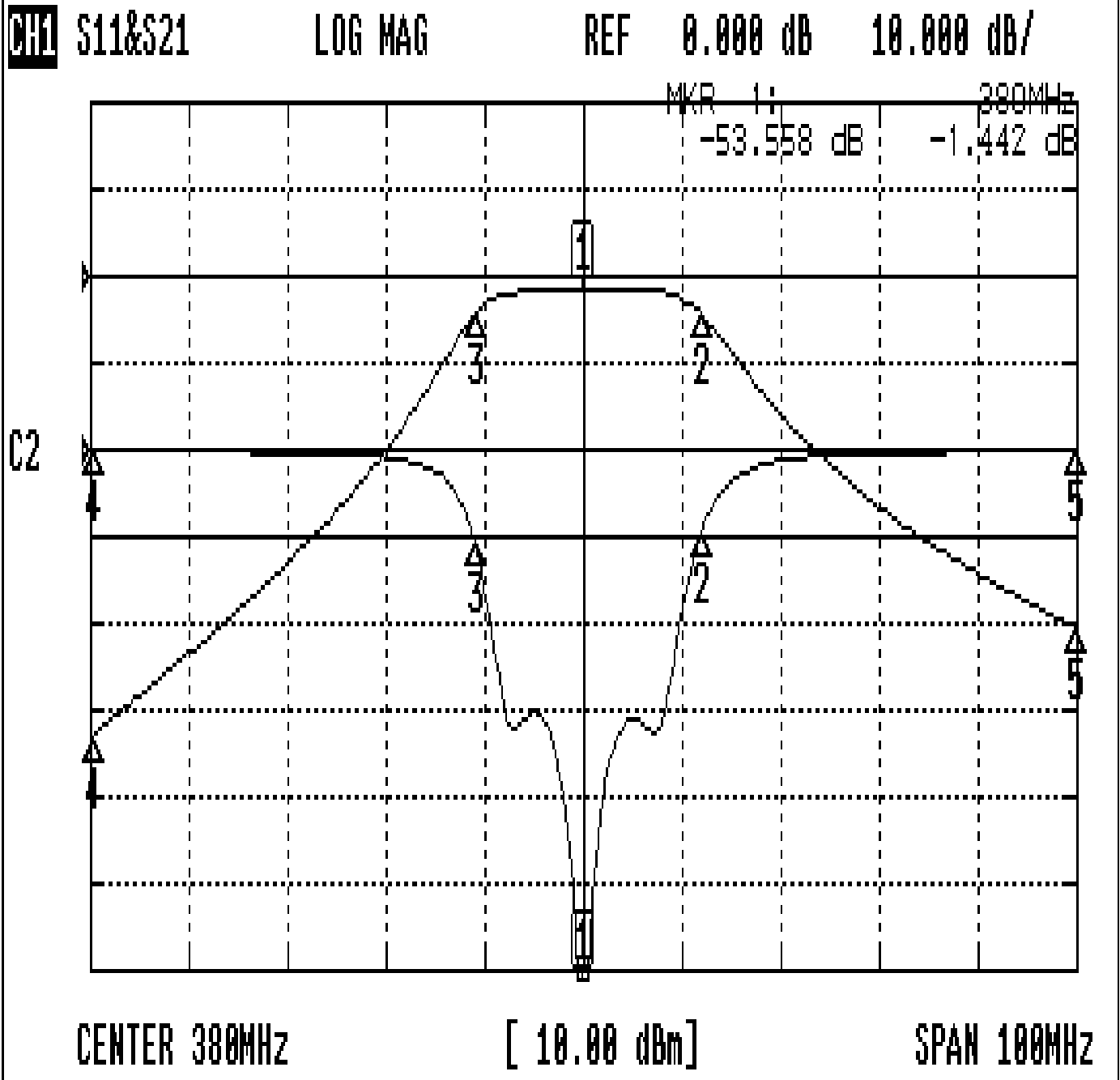


Approval	Supervisor	Designer	Aperture size
C.Y. Chang	C.S. Chang	C.S. Chang	7H3S(4*7.5) 7H046LB4 聚 3

TEMWELL CORPORATION

Performance-TT67712B-380M

20507063DC



CH1 MARKER LIST

1:	380.000MHz	-53.558 dB	-1.442 dB
2:	392.000MHz	-4.740 dB	-4.401 dB
3:	369.000MHz	-5.239 dB	-4.469 dB
4:	330.250MHz	-0.084 dB	-52.833 dB
5:	430.000MHz	-0.075 dB	-40.464 dB