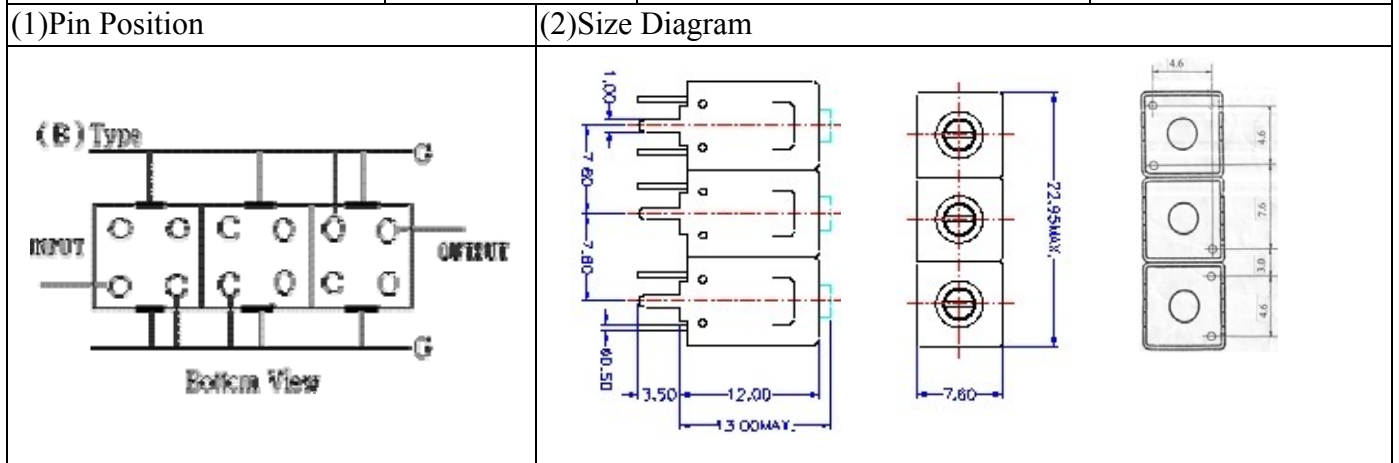


VHF UHF Helical Filter Specification Sheet

Customer Name		Temwell's Part No.	TT67713B-318M
Approval No. /dated	20507064APR	Acceptable Specify Fo. Range	311~355M
Work Instruction No.	20507064DC	Date	Jul.20.2005



(3) Electric Character

Item	Specify	Performance	
Center Freq.(Fo) +/- 0.75 %	318 MHz	318 MHz	
Tunable Range	318±4 MHz	318±4 MHz	
Insertion Loss	Typ. 2.0 dB	1.08 dB	
-3 dB Bandwidth	Typ. 30 MHz	34 MHz	
Sensitivity (Attenuation)	Fo - 50 MHz	Typ. 35 dBc	38 dBc
	Fo + 50 MHz	Typ. 26 dBc	29 dBc
	Fo - ()MHz	Typ. dBc	dBc
	Fo +()MHz	Typ. dBc	dBc
Return Loss	Min. 12 dB	29 dB	
Ripple	< 1 dB	dB	
Impedance	In / Out : 50 Ω	In / Out : 50 Ω	
(4) Torque for Tuning Screw	> 100gf • cm		

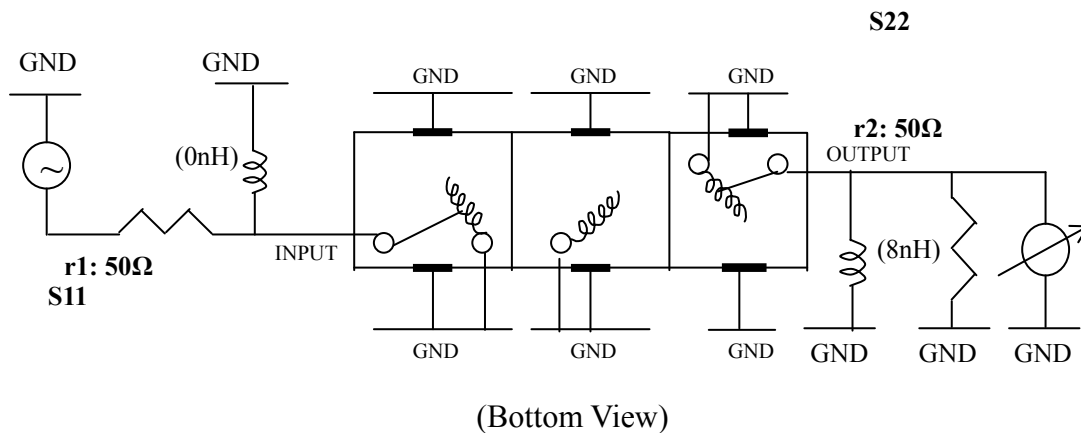
(5) Temperature Condition:

Operating Temperature	-30°C ~ +70°C
Storage Temperature	-30°C ~ +80°C

(6) Input Power

> 1Watt

(7) Measuring Circuit: ※Easy to match Impedance S11/S22 50Ω by parallel with about(0 nH) / (8 nH).

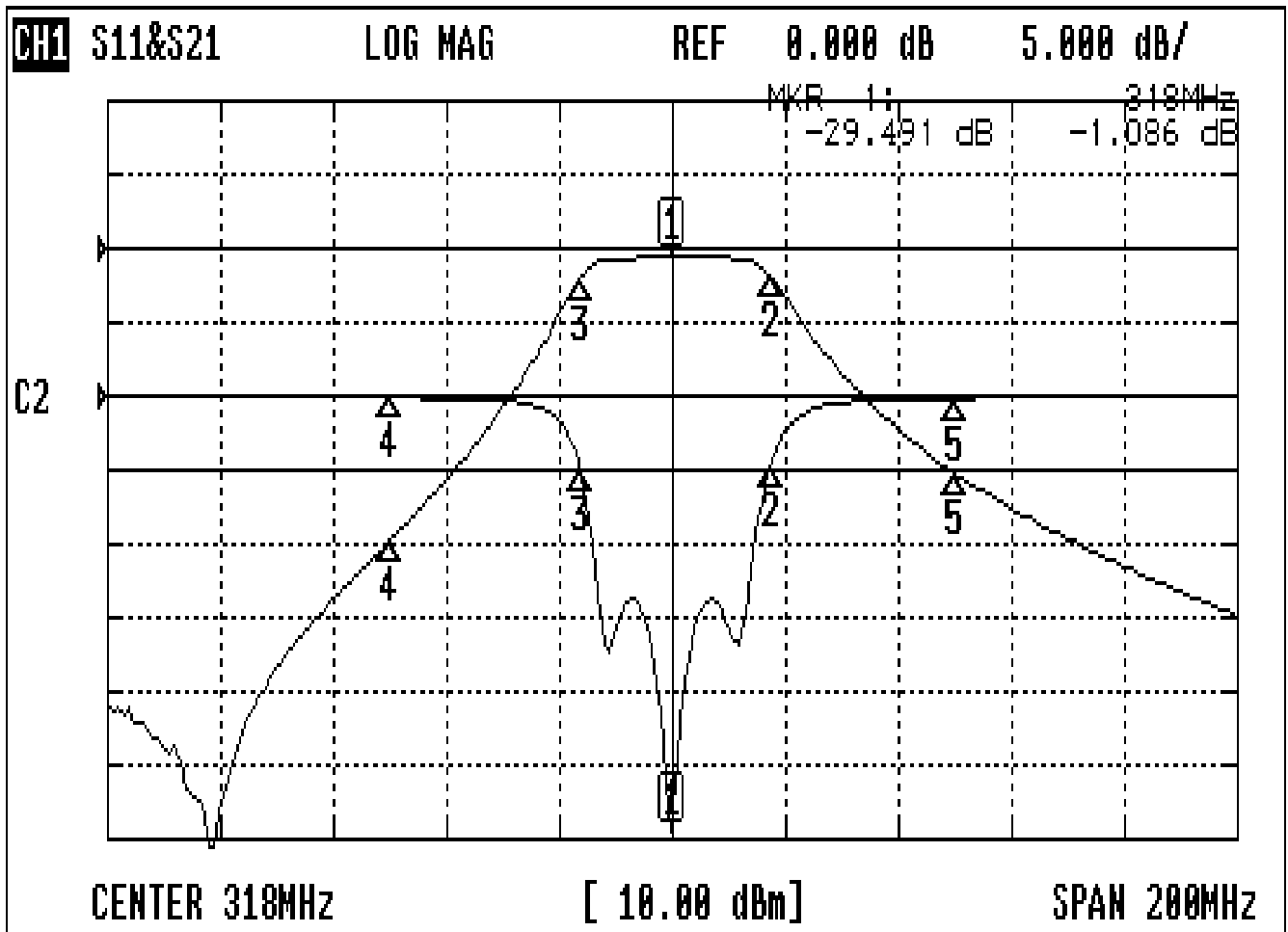


Approval	Supervisor	Designer	Aperture size
C.Y. Chang	C.S. Chang	C.S. Chang	7H3S(4*7.5) 7H046LB5

TEMWELL CORPORATION

Performance-TT67713B-318M

20507064DC



CH1 MARKER LIST

1:	318.000MHz	-29.491 dB	-1.086 dB
2:	335.500MHz	-4.652 dB	-3.966 dB
3:	301.833MHz	-4.992 dB	-4.030 dB
4:	268.000MHz	-0.110 dB	-39.647 dB
5:	368.000MHz	-0.147 dB	-38.344 dB
6:			
7:			
8:			
9:			
10:			