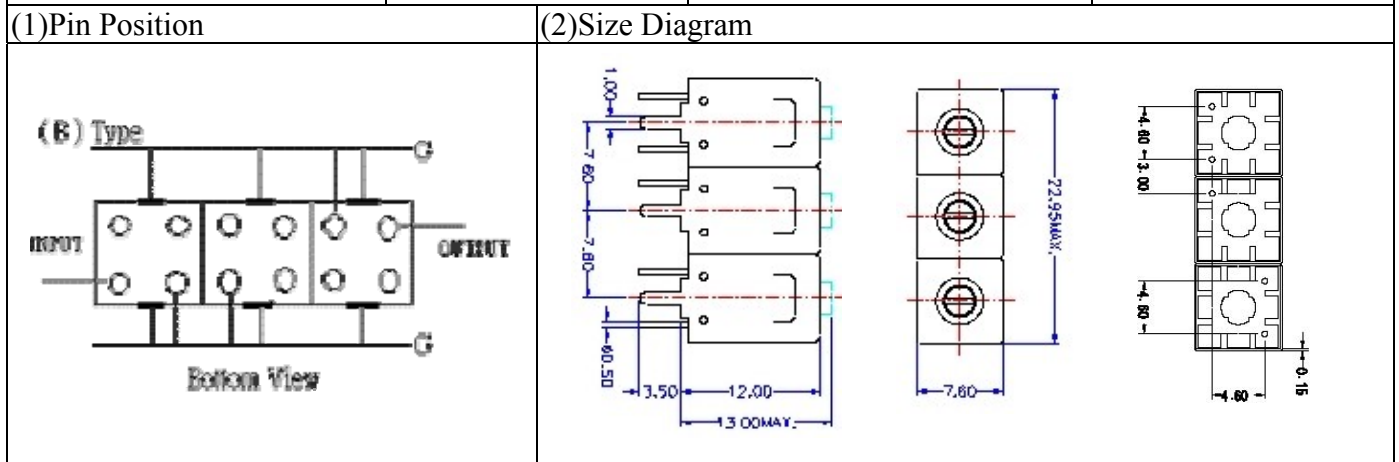


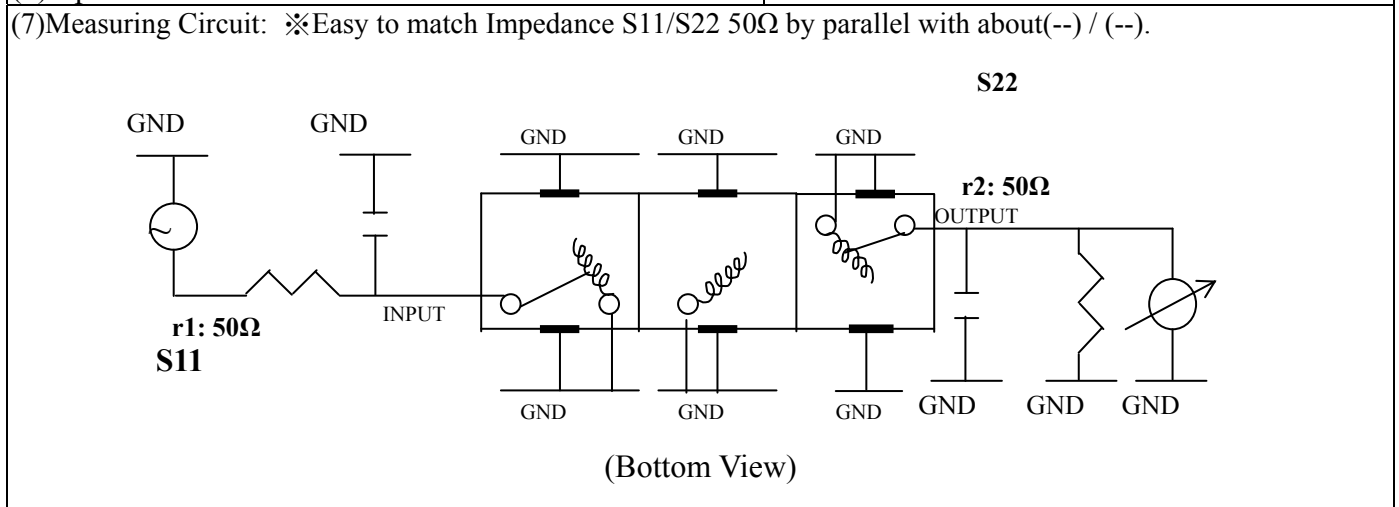
VHF UHF Helical Filter Specification Sheet

Customer Name		Temwell's Part No.	TT67723B1-180M
Approval No. /dated	201006052CD	Customer's Print Name.	67723B1 180M
Work Instruction No.	201006052CD	Date	June.21.2010



(3) Electric Characteristic		Item	Specify	Performance
		Center Freq.(Fo) +/- 0.5 %	180 MHz	180 MHz
		Insertion Loss	Typ. 2.0 dB	1.02 dB
		-3 dB Bandwidth	Typ. 30 MHz	31.4 MHz
Sensitivity (Attenuation)	Fo - 50 MHz	Typ. 32 dBc	45 dBc	
	Fo + 50 MHz	Typ. 25 dBc	26 dBc	
	Fo - ()MHz	Typ. dBc	dBc	
	Fo + ()MHz	Typ. dBc	dBc	
		Return Loss	Min. 12 dB	22.6 dB
		Ripple	< 1 dB	dB
		Impedance	In / Out : 50 Ω	In / Out : 50 Ω
(4) Torque for Tuning Screw		> 100gf • cm		

(5) Temperature Condition:	
Operating Temperature	0°C ~ +60°C
Storage Temperature	-20°C ~ +70°C
(6) Input Power	> 1Watt



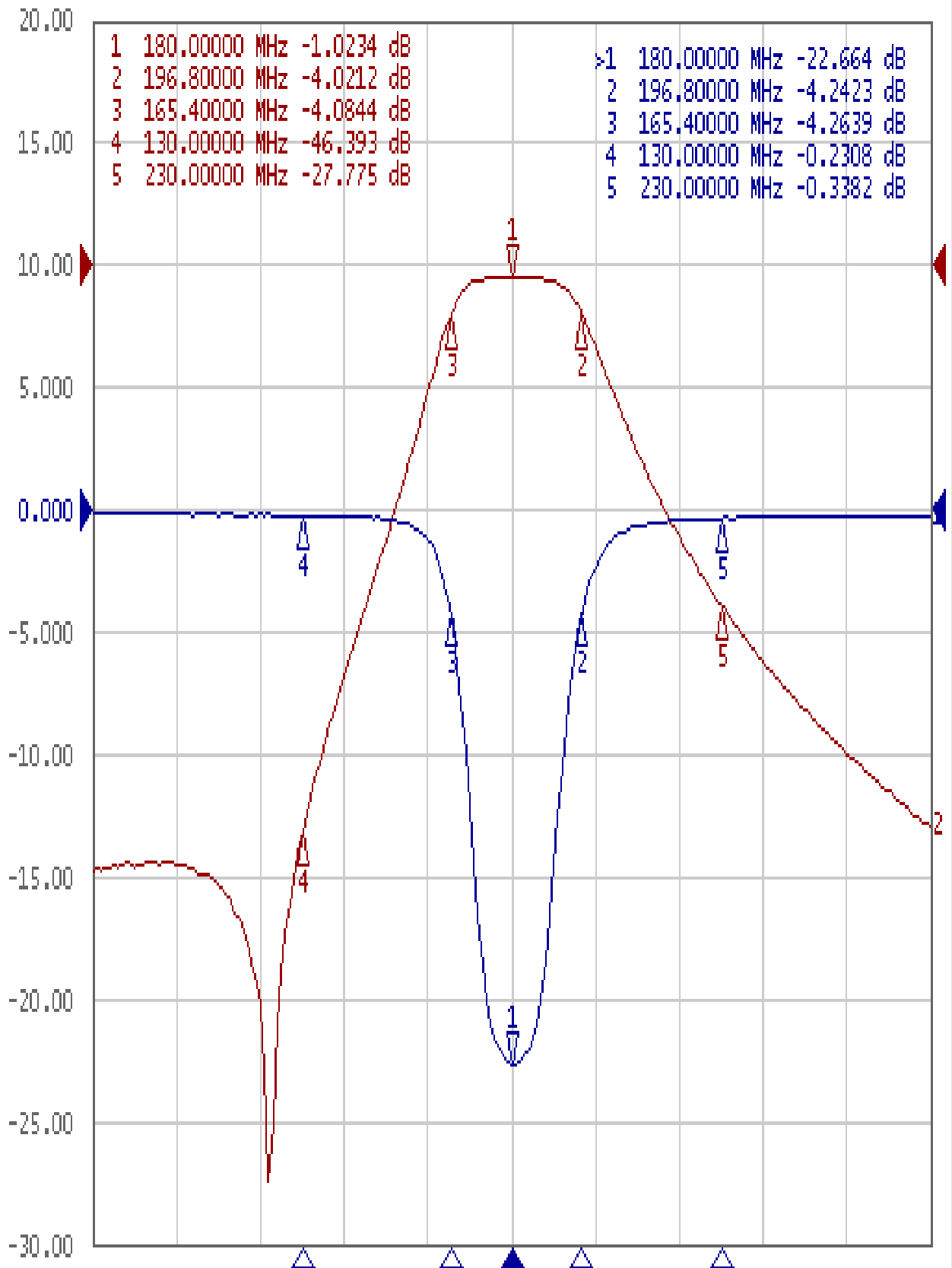
Approval	Supervisor	Designer	Aperture size
C.Y.Chang	C.K.Chang	P.H.Chiang	7H3S(4*6.35)(6.38) (7H024LB6.5)

TEMWELL CORPORATION

Performance-TT67723B1-180M

201006052CD

Tr1 511 Log Mag 5.000dB/ Ref 0.000dB [F2]
Tr2 521 Log Mag 10.000dB/ Ref 0.000dB [F2]



1 Center 180 MHz

IFBW 70 kHz

Span 200 MHz

Cor !