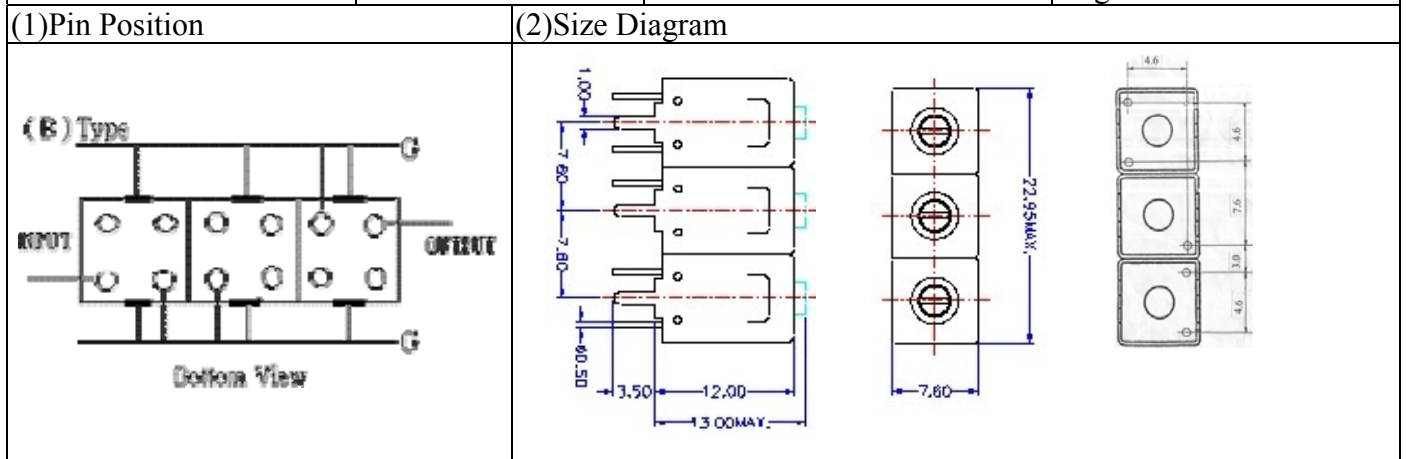


VHF UHF Helical Filter Specification Sheet

Customer Name		Temwell's Part No.	TT67725B-180M
Approval No. /dated	20507093APR	Acceptable Specify Fo. Range	166~195MHz
Work Instruction No.	20507093DC	Date	Aug.02.2005



(3) Electric Character

Item	Specify	Performance	
Center Freq.(Fo) +/- 0.5 %	180 MHz	180 MHz	
Tunable Range	180±2 MHz	180±2 MHz	
Insertion Loss	Typ. 2.0 dB	1.01 dB	
-3 dB Bandwidth	Typ. 40 MHz	43.5 MHz	
Sensitivity (Attenuation)	Fo - 50 MHz	Typ. 31 dBc	34 dBc
	Fo + 50 MHz	Typ. 20 dBc	23 dBc
	Fo - ()MHz	Typ. dBc	dBc
	Fo +()MHz	Typ. dBc	dBc
Return Loss	Min. 12 dB	27 dB	
Ripple	< 1 dB	dB	
Impedance	In / Out : 50 Ω	In / Out : 50 Ω	
(4) Torque for Tuning Screw	> 100gf · cm		

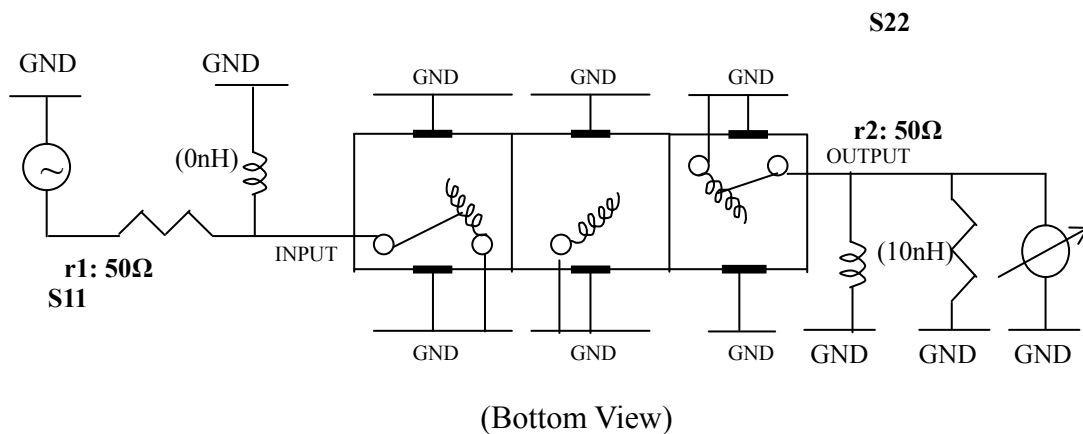
(5) Temperature Condition:

Operating Temperature	0°C ~ +60°C
Storage Temperature	-20°C ~ +70°C

(6) Input Power

> 1Watt

(7) Measuring Circuit: ※Easy to match Impedance S11/S22 50Ω by parallel with about(0 nH) / (10 nH).

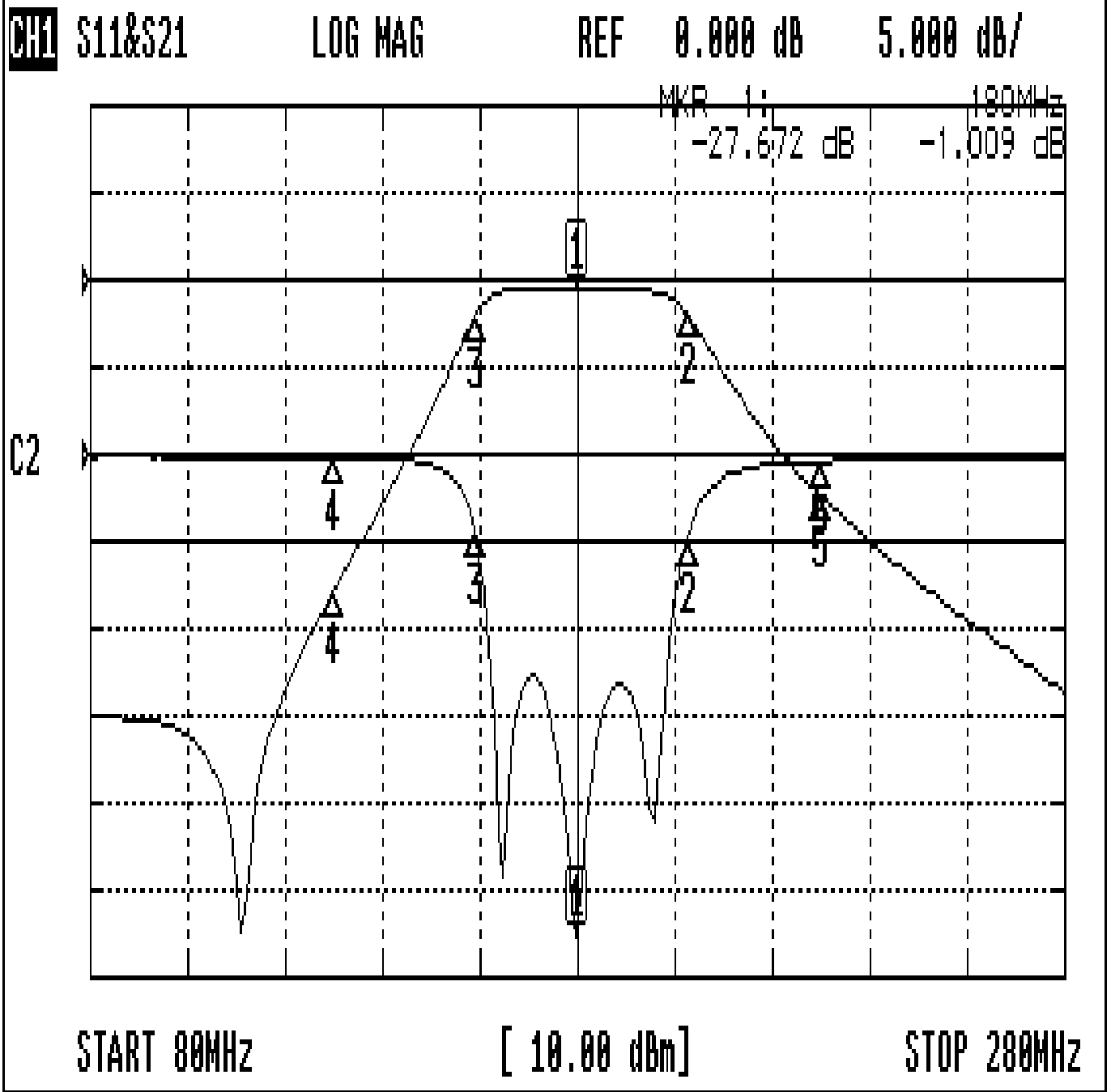


Approval	Supervisor	Designer	Aperture size
C.Y. Chang	C.S. Chang	C.S. Chang	7H3S(4*8.0) 7H00LB6

TEMWELL CORPORATION

Performance-TT67725B-180M-40M

20507093DC



CH1 MARKER LIST

1:	180.000MHz	-27.656 dB	-1.011 dB
2:	202.666MHz	-4.809 dB	-3.993 dB
3:	159.166MHz	-4.615 dB	-4.027 dB
4:	130.000MHz	-0.187 dB	-35.590 dB
5:	230.000MHz	-0.416 dB	-24.818 dB