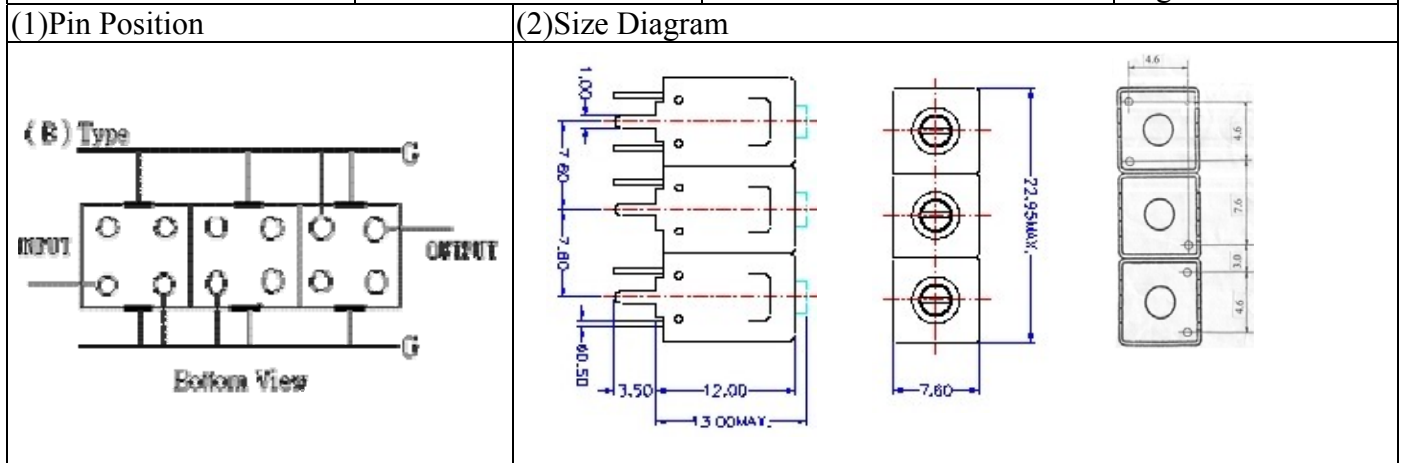


VHF UHF Helical Filter Specification Sheet

| | | | |
|----------------------|------------|------------------------------|---------------|
| Customer Name | | Temwell's Part No. | TT67728B-378M |
| Approval No. /dated | 20507096DC | Acceptable Specify Fo. Range | 356~400MHz |
| Work Instruction No. | 20507096DC | Date | Aug.09.2005 |



(3) Electric Character

| Item | Specify | Performance | |
|------------------------------|-----------------|-----------------|--------|
| Center Freq.(Fo) +/- 0.5 % | 378 MHz | 378 MHz | |
| Tunable Range | 378±4 MHz | 378±4 MHz | |
| Insertion Loss | Typ. 2.0 dB | 0.83 dB | |
| -3 dB Bandwidth | Typ. 40 MHz | 43.5 MHz | |
| Sensitivity (Attenuation) | Fo - 50 MHz | Typ. 25 dBc | 28 dBc |
| | Fo + 50 MHz | Typ. 18 dBc | 21 dBc |
| | Fo - ()MHz | Typ. dBc | dBc |
| | Fo +()MHz | Typ. dBc | dBc |
| Return Loss | Min. 12 dB | 28.1 dB | |
| Ripple | < 1 dB | dB | |
| Impedance | In / Out : 50 Ω | In / Out : 50 Ω | |

(4) Torque for Tuning Screw

> 100gf · cm

(5) Temperature Condition:

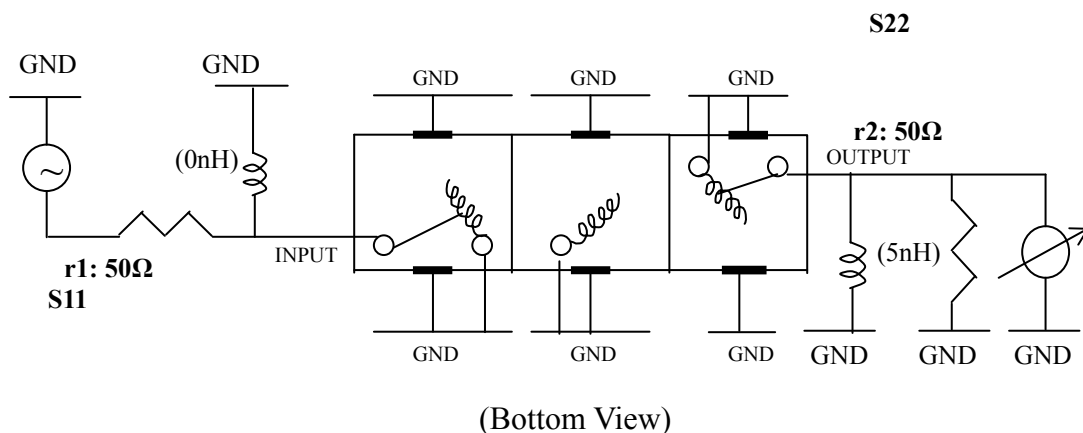
Operating Temperature 0°C ~ +60°C

Storage Temperature -20°C ~ +70°C

(6) Input Power

> 1Watt

(7) Measuring Circuit: ※Easy to match Impedance S11/S22 50Ω by parallel with about(0 nH) / (5 nH).



| | | | |
|------------|------------|------------|-------------------------|
| Approval | Supervisor | Designer | Aperture size |
| C.Y. Chang | C.S. Chang | C.S. Chang | 7H3S(4*7.5) 7H046LB5 |

TEMWELL CORPORATION

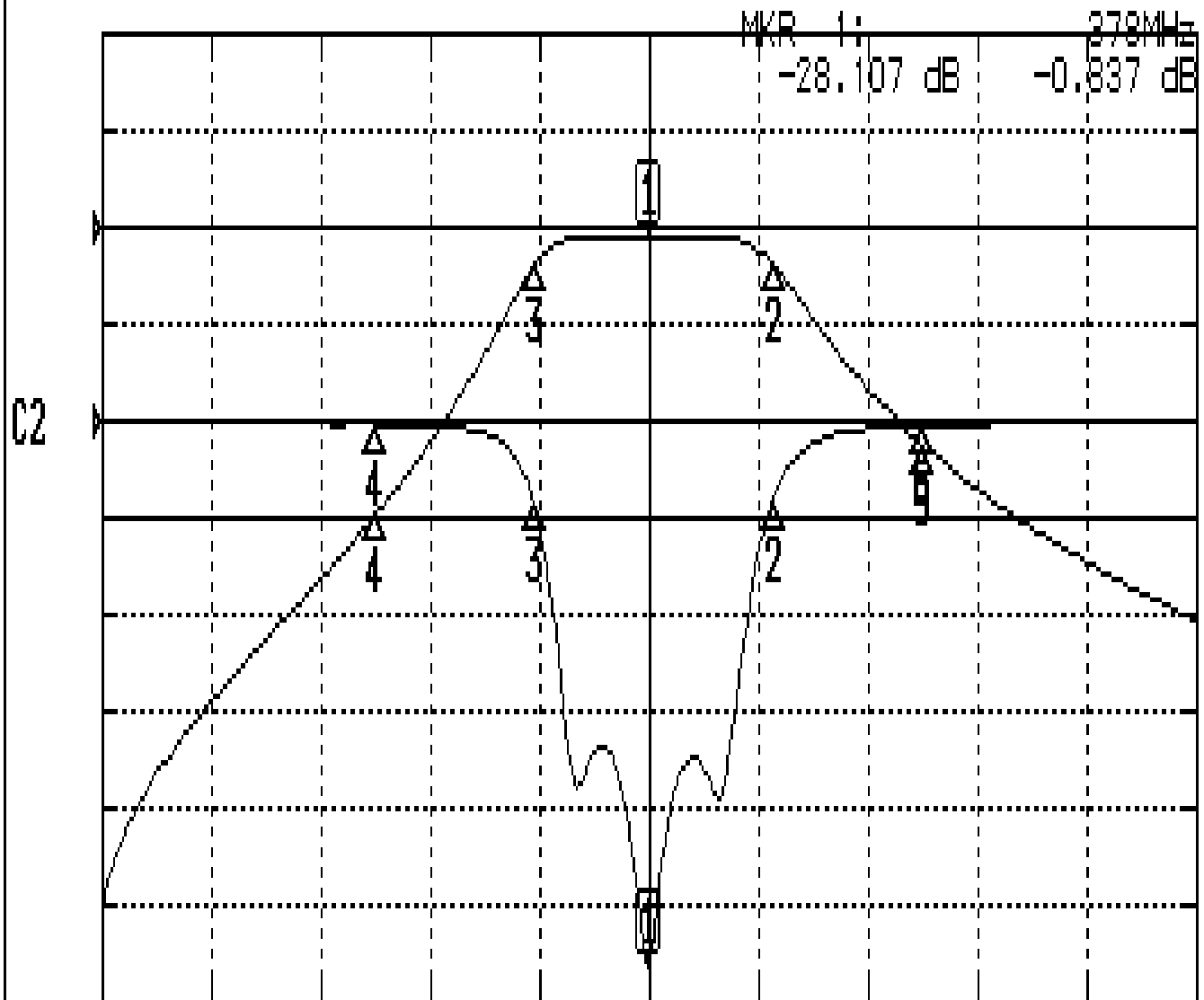
TEMWELL

Form10-7H3B Vision D

Performance-TT67728B-378M

20507096DC

CH1 S11&S21 LOG MAG REF 0.000 dB 5.000 dB/



CENTER 378MHz

[10.00 dBm]

SPAN 200MHz

CH1 MARKER LIST

| | | | |
|----|------------|------------|------------|
| 1: | 378.000MHz | -28.107 dB | -0.837 dB |
| 2: | 400.666MHz | -4.085 dB | -3.836 dB |
| 3: | 357.166MHz | -4.376 dB | -3.795 dB |
| 4: | 328.000MHz | -0.134 dB | -29.672 dB |
| 5: | 428.000MHz | -0.202 dB | -22.387 dB |