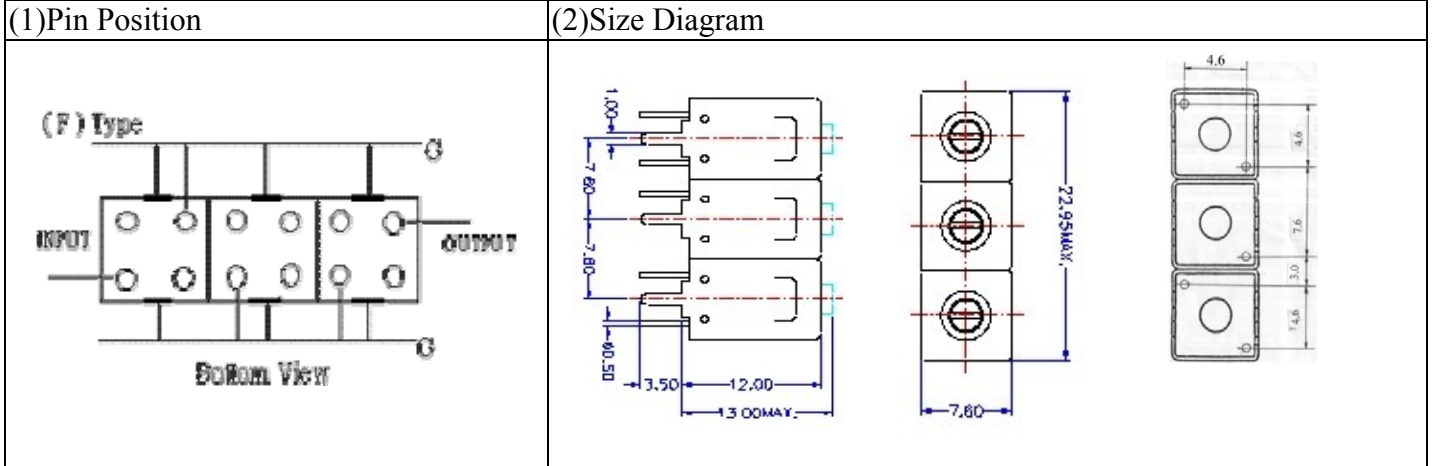


VHF UHF Helical Filter Specification Sheet

Customer Name		Temwell's Part No.	TT6772F-415M
Approval No. /dated	20206009A	Acceptable Specify Fo Range	401~455MHz
Work Instruction No.	20206009A	Date	2002/06/21



(3) Electric Characteristic

Item	Specify	Performance
Center Freq.(Fo) +/- 0.5 %	415 MHz	415 MHz
Tunable Range:	415±5 MHz	415±5 MHz
Insertion Loss	Typ. 3.5 dB	2.2 dB
-3 dB Bandwidth	Typ. 15 MHz	17 MHz
Sensitivity (Attenuation)	Fo - 20 MHz	Typ. 27 dBc
	Fo + 20 MHz	Typ. 16 dBc
	Fo - ()MHz	Typ. dBc
	Fo + ()MHz	Typ. dBc
Return Loss	Min. 12 dB	44 dB
Ripple	< 1 dB	dB
Impedance	In / Out : 50 Ω	In / Out : 50 Ω

(4) Torque for Tuning Screw > 100gf · cm

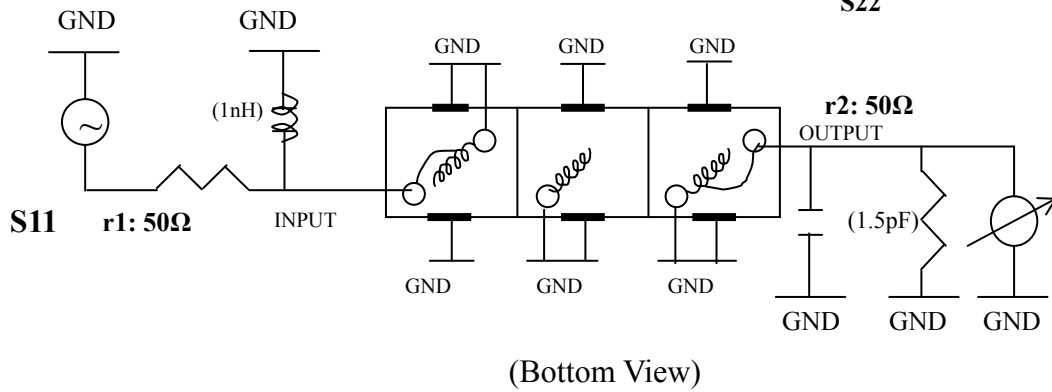
(5) Temperature Condition:

Operating Temperature	0°C ~ +60°C
-----------------------	-------------

Storage Temperature	-20°C ~ +70°C
---------------------	---------------

(6) Input Power > 1 Watt

(7) Measuring Circuit: ※Easy to match Impedance S11/S22 50Ω by parallel with about(1nH) / (1.5pF).

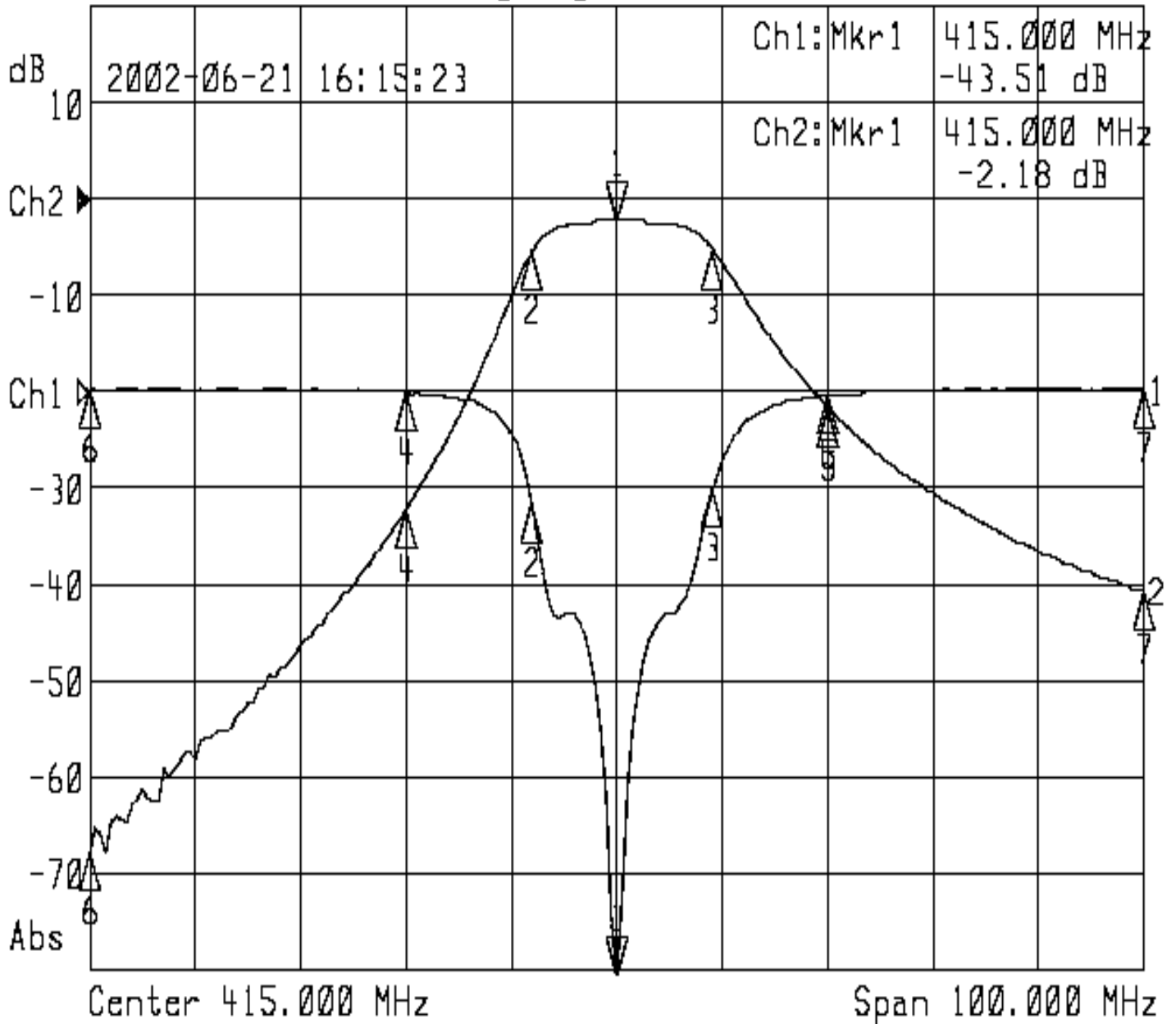


Approval C.Y.Chang	Supervisor C.S.Chang	Designer C.S.Chang	Aperture size 7H3S,4*6.5 7H046LB4 聚 3
-----------------------	-------------------------	-----------------------	---

Performance-TT6772F-415M

20206009A

▶1: Reflection Log Mag 5.0 dB/ Ref 0.00 dB C
 ▶2: Transmission Log Mag 10.0 dB/ Ref 0.00 dB C



1: Mkr (MHz)	dB	2: Mkr (MHz)	dB
1> 415.00	-43.51	1> 415.00	-2.16
2: 406.94	-5.76	2: 406.94	-5.26
3: 424.08	-5.06	3: 424.08	-5.23
4: 395.00	-0.04	4: 395.00	-32.13
5: 435.00	-0.19	5: 435.00	-21.56
6: 365.00	0.09	6: 365.00	-67.76
7: 465.00	0.17	7: 465.00	-40.56