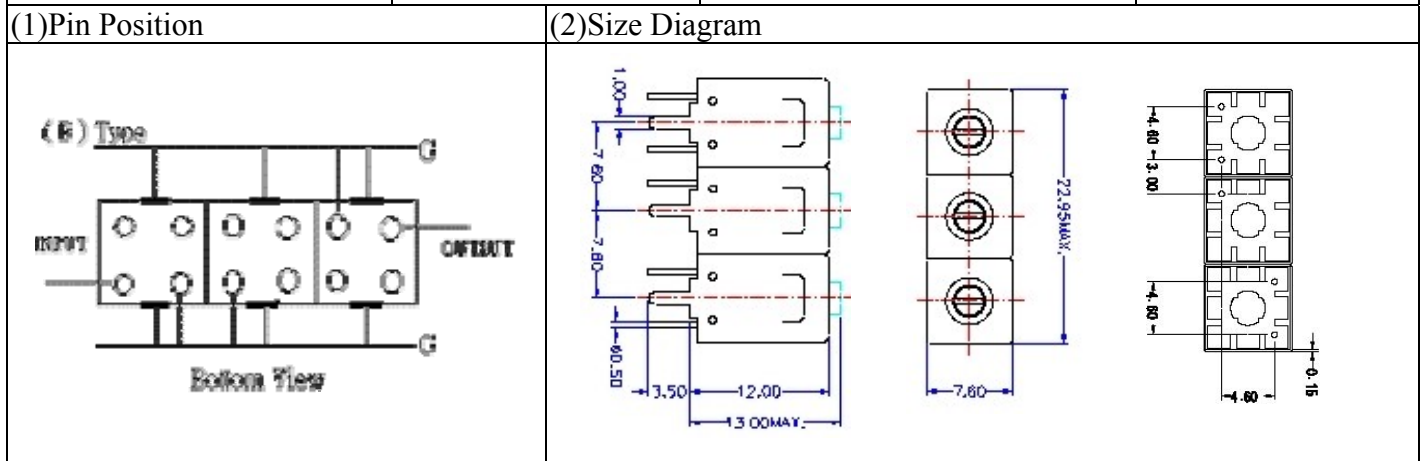


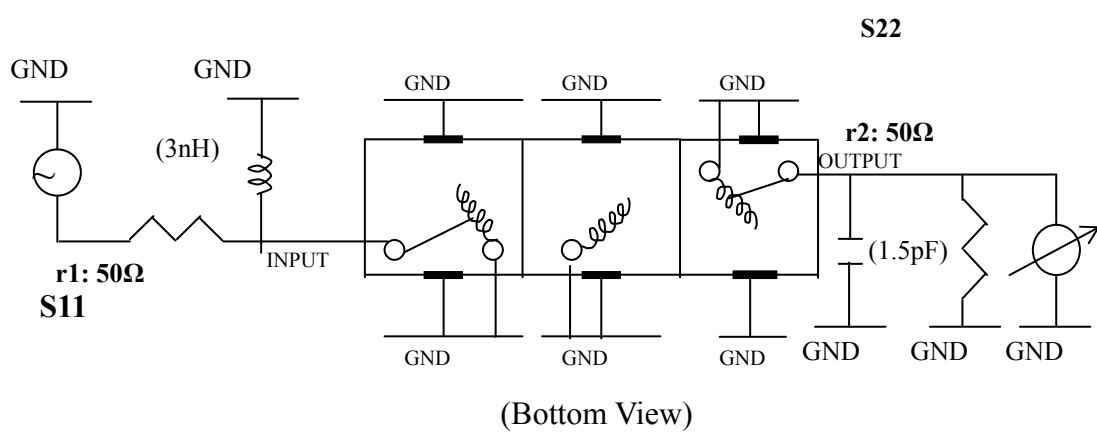
# VHF UHF Helical Filter Specification Sheet

Customer Name		Temwell's Part No.	TT6774B-480M
Approval No. /dated	20012004B	Acceptable Specify Fo Range	456~515MHz
Work Instruction No.	20012004B	Date	Dec.04.2000



(3) Electric Characteristic			
Item		Specify	Performance
Center Freq.(Fo) +/- 0.5 %		480 MHz	480 MHz
Tunable Range:		480±5 MHz	480±5 MHz
Insertion Loss		Typ. 2.5 dB	1.4 dB
-3 dB Bandwidth		Typ. 24 MHz	28 MHz
Sensitivity (Attenuation)	Fo - 50 MHz	Typ. 35 dBc	38 dBc
	Fo + 50 MHz	Typ. 28 dBc	31 dBc
	Fo - ( )MHz	Typ. dBc	dBc
	Fo +( )MHz	Typ. dBc	dBc
Return Loss		Min. 12 dB	15.5 dB
Ripple		< 1 dB	dB
Impedance		In / Out : 50 Ω	In / Out : 50 Ω
(4) Torque for Tuning Screw		> 100gf · cm	
(5) Temperature Condition:			
Operating Temperature		0°C ~ +60°C	
Storage Temperature		-20°C ~ +70°C	
(6) Input Power		> 1 Watt	

(7) Measuring Circuit: ※Easy to match Impedance S11/S22 50Ω by parallel with about(3nH) / (1.5pF).



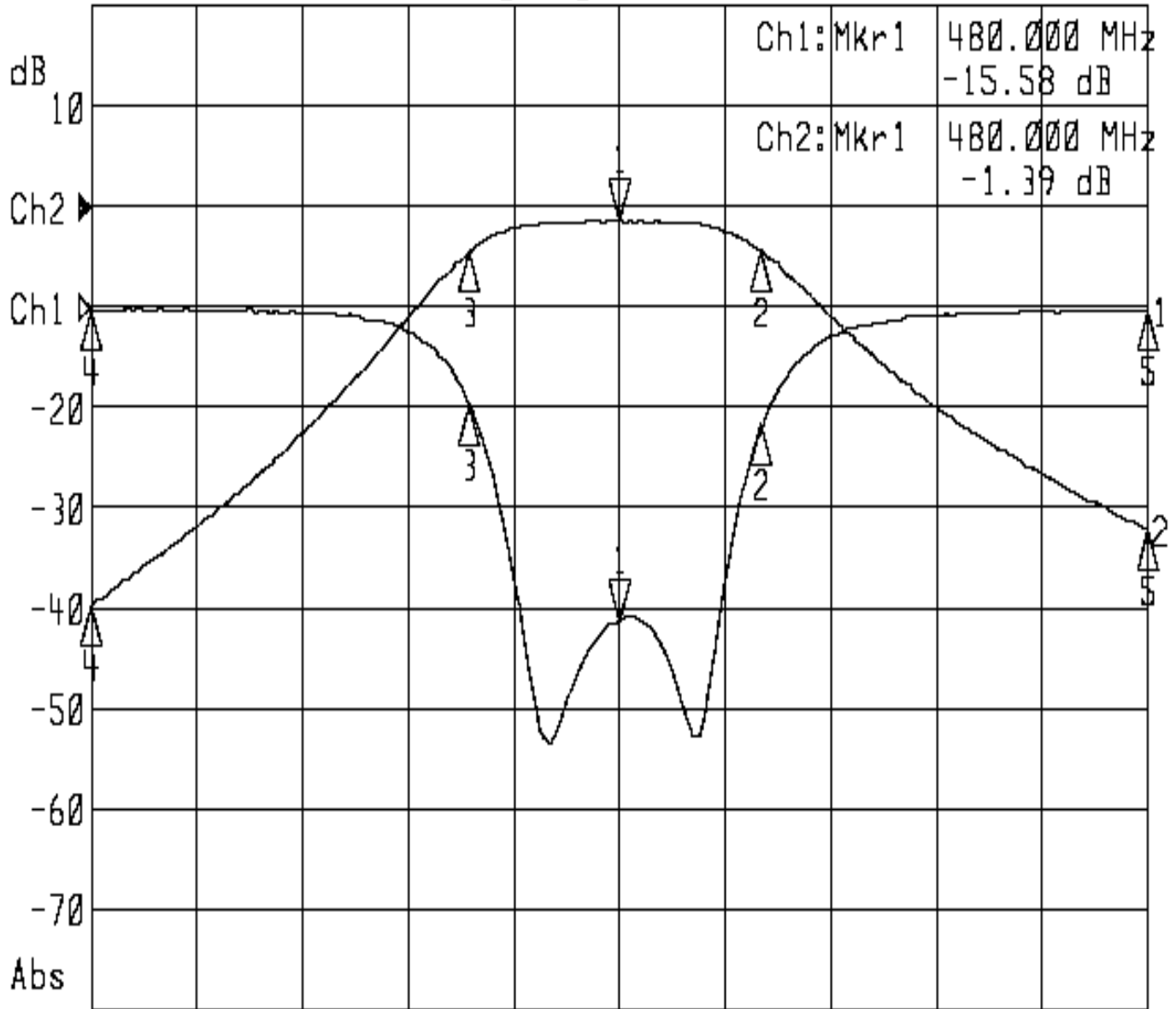
Approval	Supervisor	Designer	Aperture size
C.Y.Chang	C.S.Chang	C.S.Chang	7H3S,4*6.5 7H046LB4 聚 3

TEMWELL CORPORATION

# Performance-TT6774B-480M

## 20012004B

▶1:Reflection Log Mag 5.0 dB/ Ref 0.00 dB C  
▶2:Transmission Log Mag 10.0 dB/ Ref 0.00 dB C



Center 480.000 MHz

Span 100.000 MHz

1: Mkr (MHz)	dB	2: Mkr (MHz)	dB
1> 480.00	-15.58	1> 480.00	-1.39
2: 493.49	-5.81	2: 493.49	-4.44
3: 465.81	-4.83	3: 465.81	-4.42
4: 430.00	-0.09	4: 430.00	-39.68
5: 530.00	-0.15	5: 530.00	-32.06