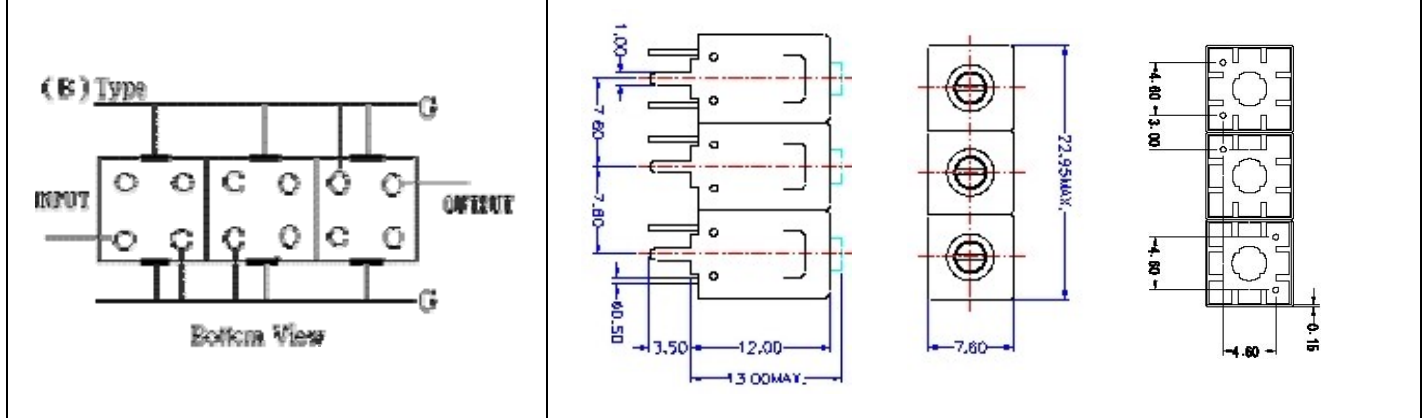


# VHF UHF Helical Filter Specification Sheet

Customer Name		Temwell's Part No.	TT6774B1-460M
Approval No. /dated	0710087C	Acceptable Specify Fo Range	456~515MHz
Work Instruction No.	0710087C	Date	Oct.29.2007

(1)Pin Position (2)Size Diagram



(3)Electric Chararestic

Item	Specify	Performance
Center Freq.(Fo) +/- 0.5 %	460 MHz	460 MHz
Tunable Range:	460±5 MHz	460±5 MHz
Insertion Loss	Typ. 3.0 dB	2.20 dB
-3 dB Bandwidth	Typ. 15 MHz	18.1 MHz
Sensitivity (Attenuation)	Fo - 50 MHz	Typ. 49 dBc
	Fo + 50 MHz	Typ. 41 dBc
	Fo - ( )MHz	Typ. dBc
	Fo +( )MHz	Typ. dBc
Return Loss	Min. 12 dB	15.9 dB
Ripple	< 1 dB	dB
Impedance	In / Out : 50 Ω	In / Out : 50 Ω

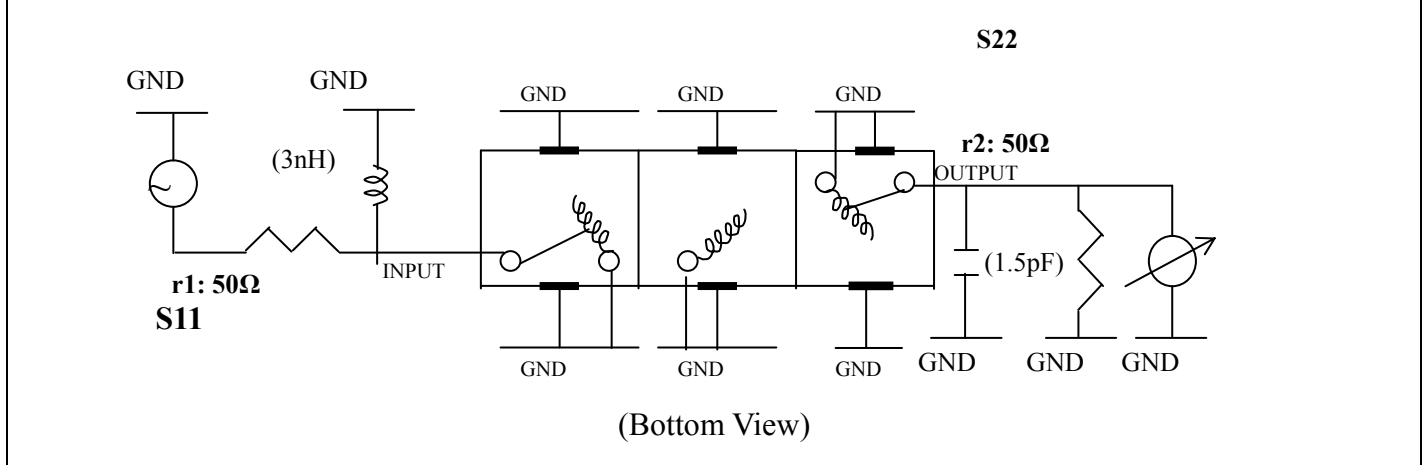
(4)Torque for Tuning Screw > 100gf • cm

(5)Temperature Condition:

Operating Temperature	0°C ~ +60°C
Storage Temperature	-20°C ~ +70°C

(6)Input Power > 1Watt

(7)Measuring Circuit: ※Easy to match Impedance S11/S22 50Ωby parallel with about(3nH) / (1.5pF).

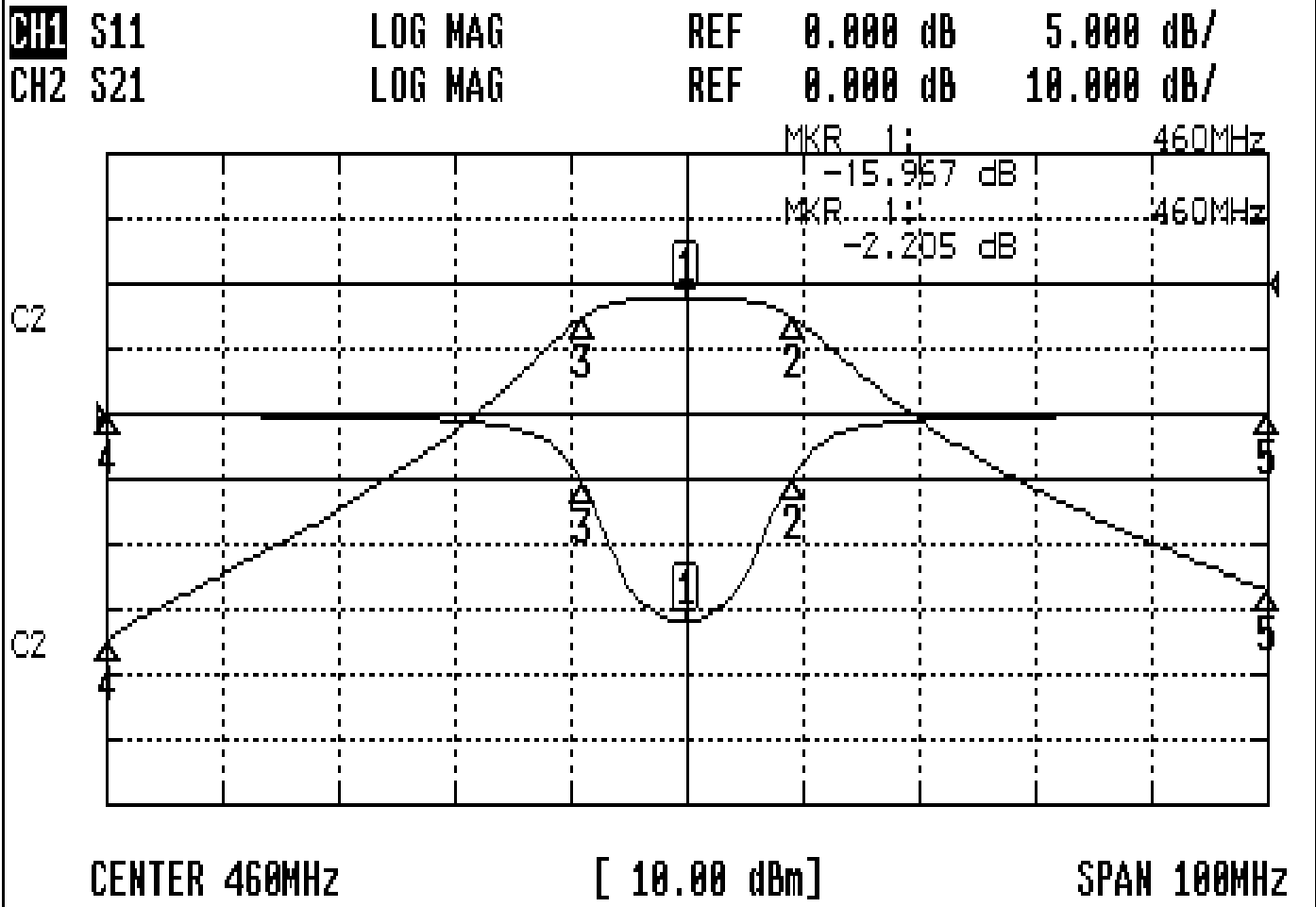


Approval	Supervisor	Designer	Aperture size
C.Y.Chang	C.S.Chang	P.H.Chiang	7H3(4*6.5)F 7H046LB4 聚 3

TEMWELL CORPORATION

# Performance-TT6774B1-460M

0710087C



## CH1 MARKER LIST

1:	460.000MHz	-15.967	dB
2:	469.166MHz	-4.753	dB
3:	451.000MHz	-5.159	dB
4:	410.000MHz	-0.082	dB
5:	510.000MHz	-0.052	dB

## CH2 MARKER LIST

1:	460.000MHz	-2.205	dB
2:	469.166MHz	1.289	dB
3:	451.000MHz	1.266	dB
4:	410.000MHz	-54.547	dB
5:	510.000MHz	-47.004	dB