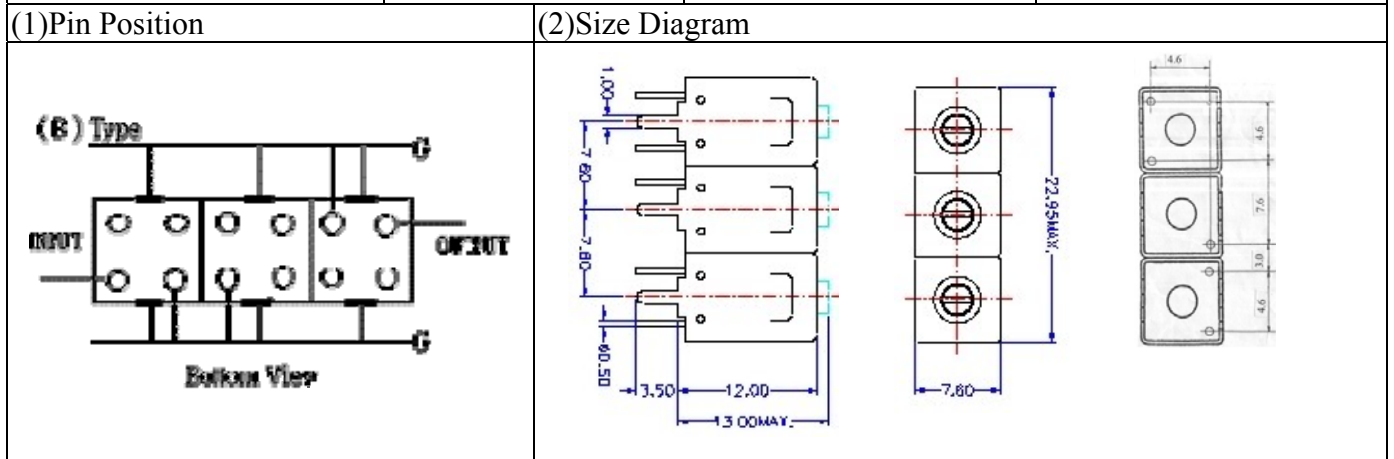


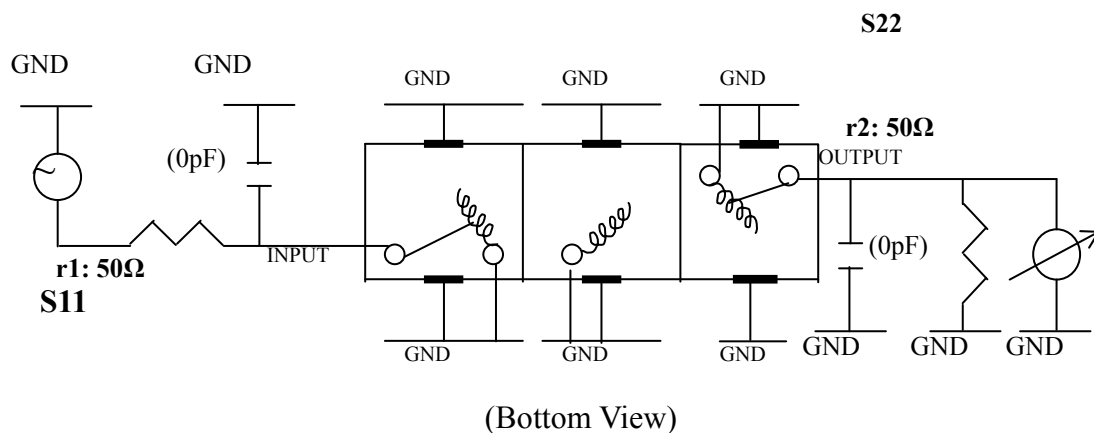
VHF UHF Helical Filter Specification Sheet

Customer Name		Temwell's Part No.	TT6777B-550M
Approval No. /dated	20010044DC	Acceptable Fo Specify Range	516~555MHz
Work Instruction No.	20010044DC	Date	Jul.27.2006



(3) Electric Character			
Item		Specify	Performance
Center Freq.(Fo) +/- 0.5 %		550 MHz	550 MHz
Tunable Range		550±5 MHz	550±5 MHz
Insertion Loss		Typ. 2.5 dB	1.49 dB
-3 dB Bandwidth		Typ. 25 MHz	27.5 MHz
Sensitivity (Attenuation)	Fo - 50 MHz	Typ. 31 dBc	34 dBc
	Fo + 50 MHz	Typ. 28 dBc	31 dBc
	Fo - ()MHz	Typ. dBc	dBc
	Fo +()MHz	Typ. dBc	dBc
Return Loss		Min. 12 dB	28.2 dB
Ripple		< 1 dB	dB
Impedance		In / Out : 50 Ω	In / Out : 50 Ω
(4) Torque for Tuning Screw		> 100gf · cm	
(5) Temperature Condition:			
Operating Temperature		0°C ~ +60°C	
Storage Temperature		-20°C ~ +70°C	
(6) Input Power		> 1Watt	

(7) Measuring Circuit: ※Easy to match Impedance S11/S22 50Ω/by parallel with about(0 pF) / (0pF).



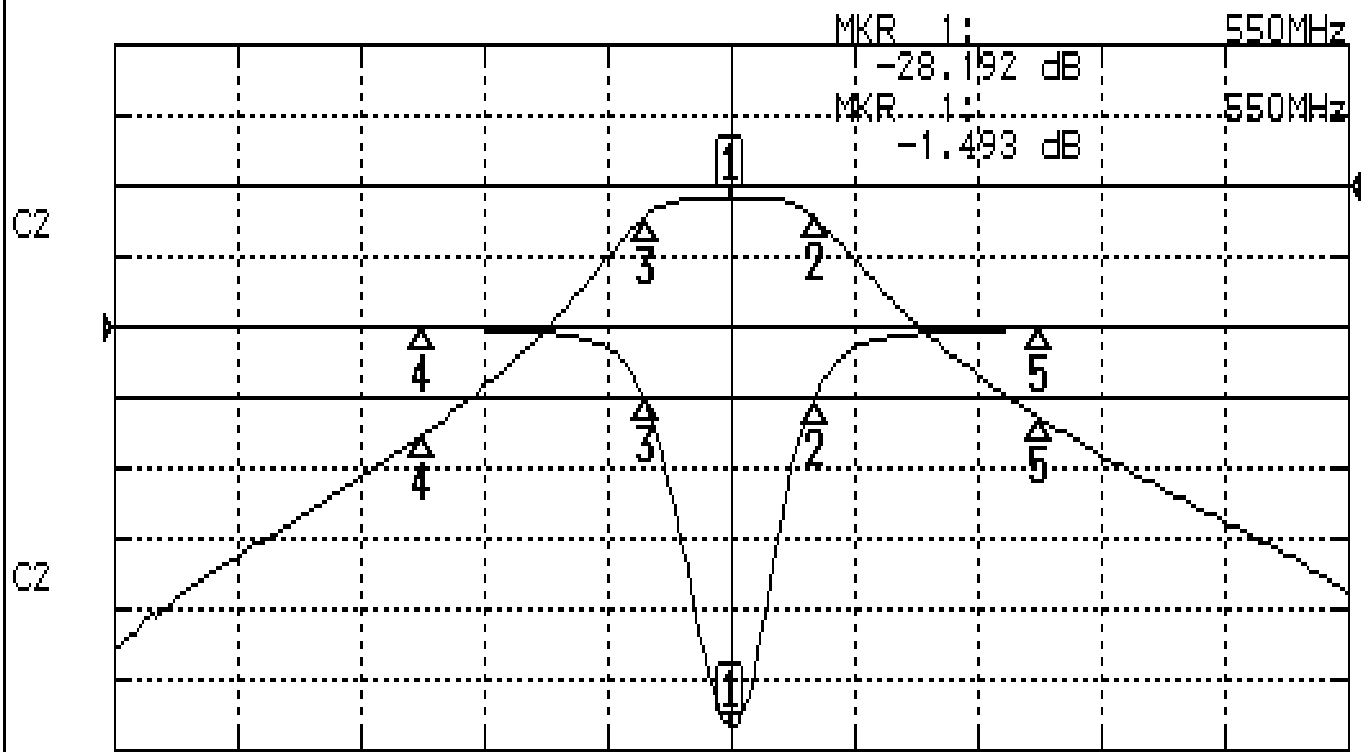
Approval	Supervisor	Designer	Aperture size
C.Y.Chang	C.S.Chang	C.S.Chang	7H3S(4*5.5)F 7H046LB4 聚 3

TEMWELL CORPORATION

Performance-TT6777B-550M

20010044DC

CH1 S11 LOG MAG REF 0.000 dB 5.000 dB/
CH2 S21 LOG MAG REF 0.000 dB 10.000 dB/



CENTER 550MHz

[10.00 dBm]

SPAN 200MHz

CH1 MARKER LIST

Marker	Frequency (MHz)	Magnitude (dB)
1	550.000	-28.221
2	563.500	-5.108
3	536.000	-5.002
4	500.000	-0.047
5	600.000	-0.088

CH2 MARKER LIST

Marker	Frequency (MHz)	Magnitude (dB)
1	550.000	-1.493
2	563.500	-4.456
3	536.000	-4.483
4	500.000	-35.333
5	600.000	-32.749