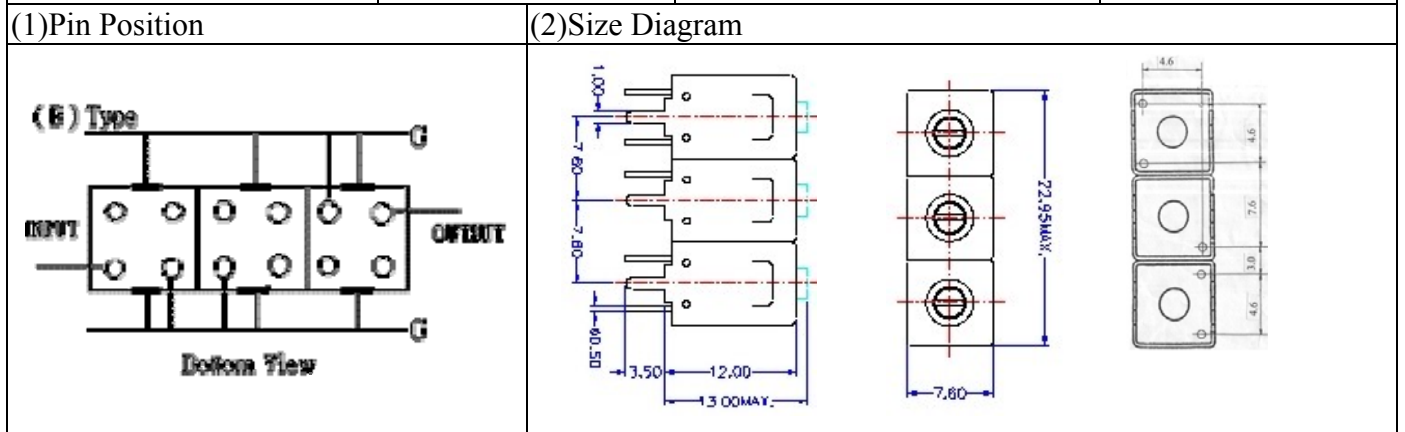


# VHF UHF Helical Filter Specification Sheet

Customer Name		Temwell's Part No.	TT67784B-725M
Approval No. /dated	20507152DC	Acceptable Specify Fo Range	701~750MHz
Work Instruction No.	20507152DC	Date	Aug.02.2005



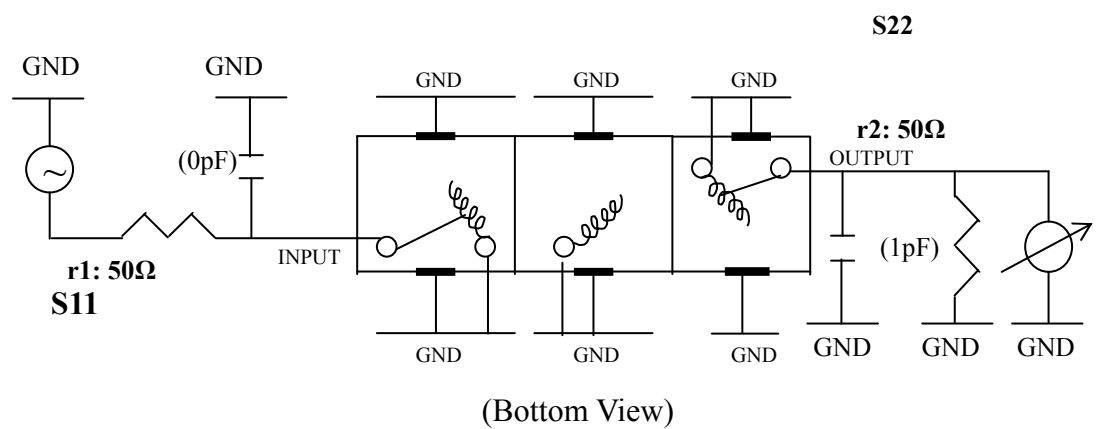
Item		Specify	Performance
Center Freq.(Fo ) +/- 0.5 %		725 MHz	725 MHz
Tunable Range		725±3 MHz	725±3 MHz
Insertion Loss		Typ. 3.0 dB	1.65 dB
-3 dB Bandwidth		Typ. 28 MHz	33.0 MHz
Sensitivity (Attenuation)	Fo - 100 MHz	Typ. 59 dBc	62 dBc
	Fo + 100 MHz	Typ. 40 dBc	43 dBc
	Fo - ( )MHz	Typ. dBc	dBc
	Fo +( )MHz	Typ. dBc	dBc
Return Loss		Min. 12 dB	37 dB
Ripple		< 1 dB	dB
Impedance		In / Out : 50 Ω	In / Out : 50 Ω

(4) Torque for Tuning Screw > 100gf · cm

(5) Temperature Condition:	
Operating Temperature	0°C ~ +60°C
Storage Temperature	-20°C ~ +70°C

(6) Input Power > 1Watt

(7) Measuring Circuit: ※Easy to match Impedance S11/S22 50Ω/by parallel with about( 0 pF) / ( 1 pF).

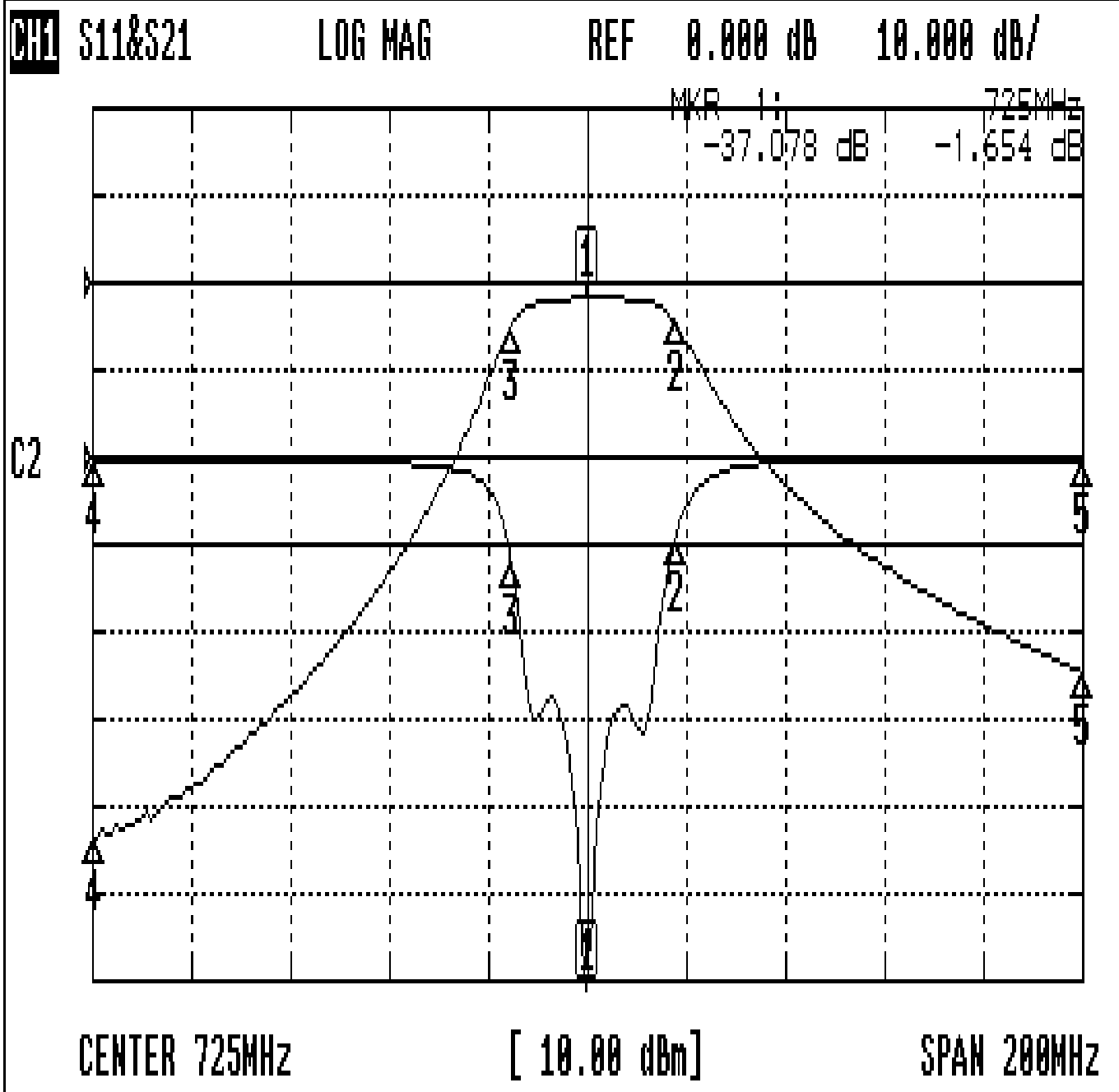


Approval	Supervisor	Designer	Aperture size
C.Y. Chang	C.S. Chang	J.F. Lin	7H3S(4*5.5)(5.60)F 7H046RB4

TEMWELL CORPORATION

# Performance-TT67784B-725M

## 20507152DC



### CH1 MARKER LIST

1:	725.000MHz	-37.078 dB	-1.654 dB
2:	742.833MHz	-4.636 dB	-4.637 dB
3:	709.833MHz	-6.061 dB	-4.750 dB
4:	625.000MHz	-0.168 dB	-63.573 dB
5:	825.000MHz	-0.134 dB	-44.534 dB