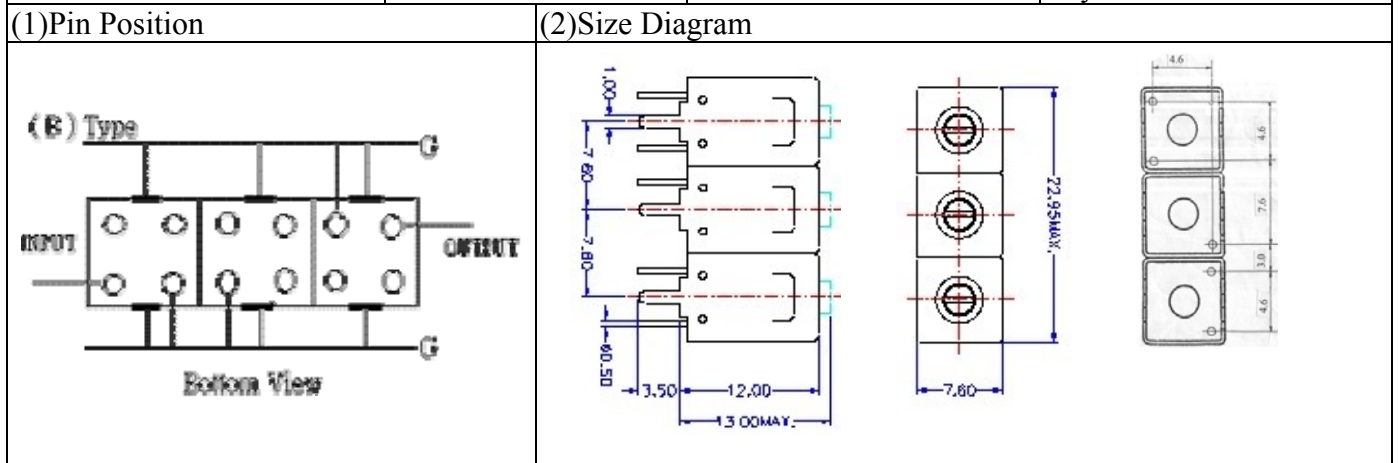


VHF UHF Helical Filter Specification Sheet

Customer Name		Temwell's Part No.	TT67785B-963M
Approval No. /dated	20507153DC	Acceptable Fo Specify Range	951~975MHz
Work Instruction No.	20507153DC	Date	July.28.2006



(3) Electric Character

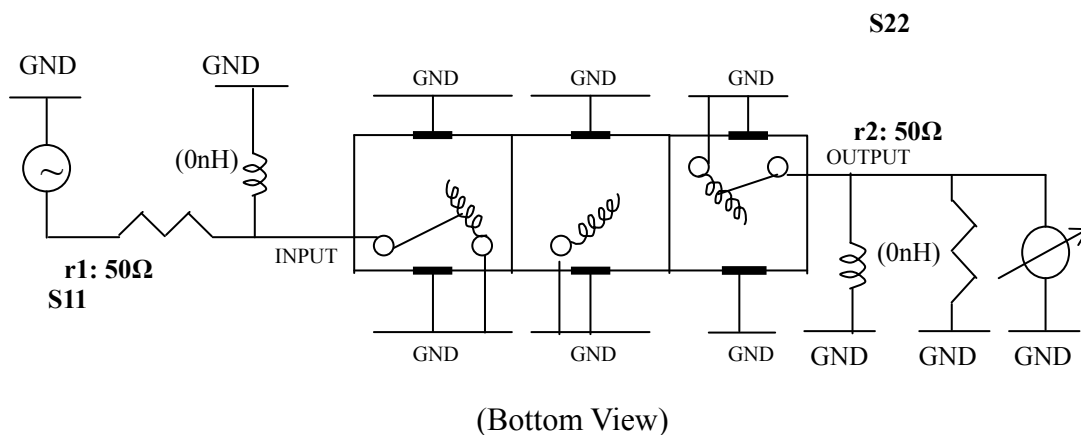
Item	Specify	Performance	
Center Freq.(Fo) +/- 0.5 %	963 MHz	963 MHz	
Tunable Range	963±5 MHz	963±5 MHz	
Insertion Loss	Typ. 3.5 dB	2.24 dB	
-3 dB Bandwidth	Typ. 25 MHz	31 MHz	
Sensitivity (Attenuation)	Fo - 50 MHz	Typ. 31 dBc	34 dBc
	Fo + 50 MHz	Typ. 22 dBc	25 dBc
	Fo - ()MHz	Typ. dBc	dBc
	Fo +()MHz	Typ. dBc	dBc
Return Loss	Min. 12 dB	21.4 dB	
Ripple	< 1 dB	dB	
Impedance	In / Out : 50 Ω	In / Out : 50 Ω	
(4) Torque for Tuning Screw	> 100gf • cm		

(5) Temperature Condition:

Operating Temperature	0°C ~ +60°C
Storage Temperature	-20°C ~ +70°C

(6) Input Power > 1Watt

(7) Measuring Circuit: ※Easy to match Impedance S11/S22 50Ω by parallel with about(0 nH) / (0 nH).

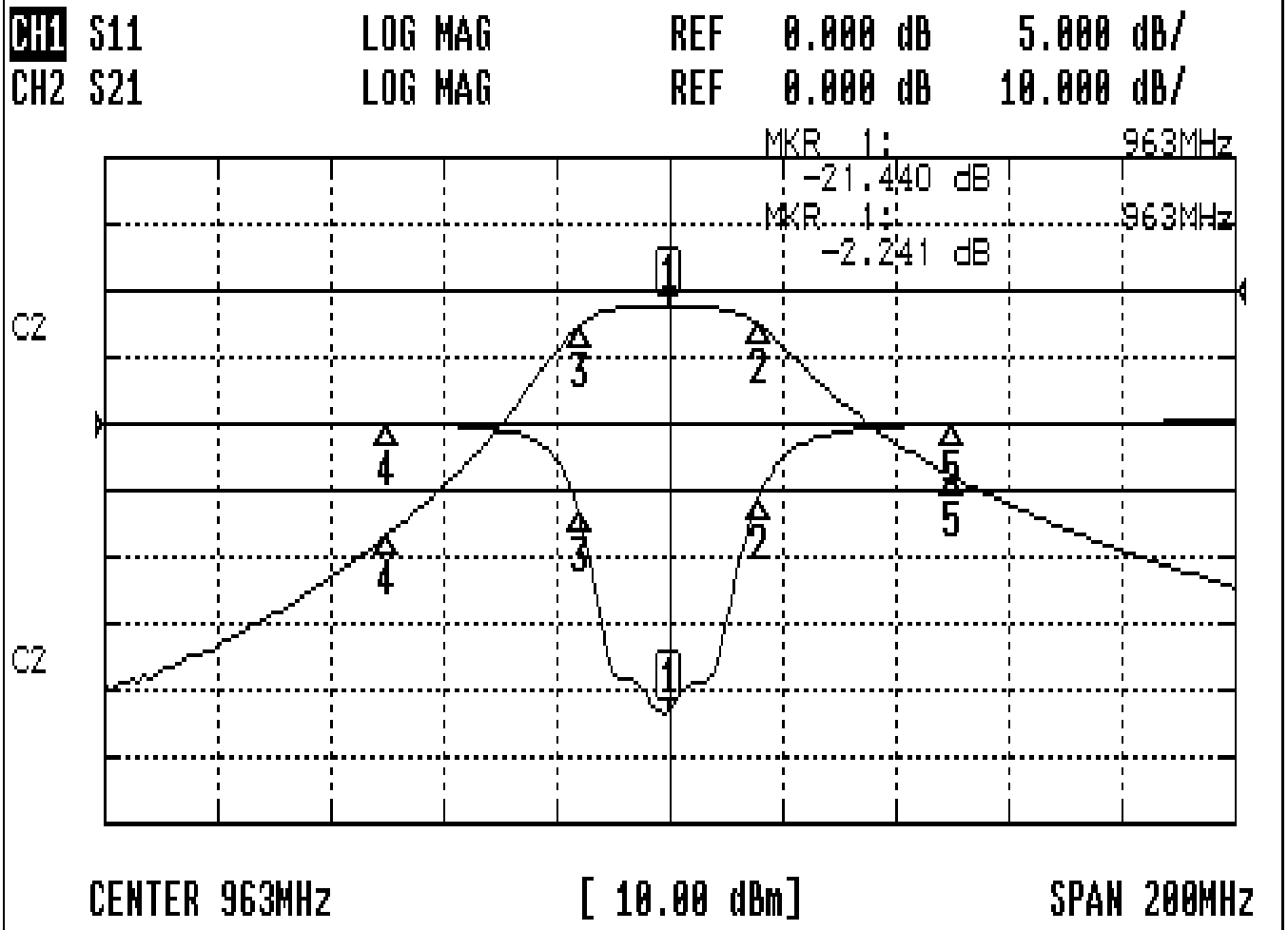


Approval	Supervisor	Designer	Aperture size
C.Y.Chang	C.S.Chang	C.S.Chang	7H3S(4*5.5) 7H046RB4

TEMWELL CORPORATION

Performance-TT67785B-963M

20507153DC



CH1 MARKER LIST

Marker	Frequency	Magnitude
1	963.000MHz	-21.425 dB
2	978.833MHz	-5.540 dB
3	947.000MHz	-6.563 dB
4	913.000MHz	-0.014 dB
5	1.013 000GHz	-0.031 dB

CH2 MARKER LIST

Marker	Frequency	Magnitude
1	963.000MHz	-2.241 dB
2	978.833MHz	-1.177 dB
3	947.000MHz	-1.169 dB
4	913.000MHz	-26.625 dB
5	1.013 000GHz	-27.800 dB