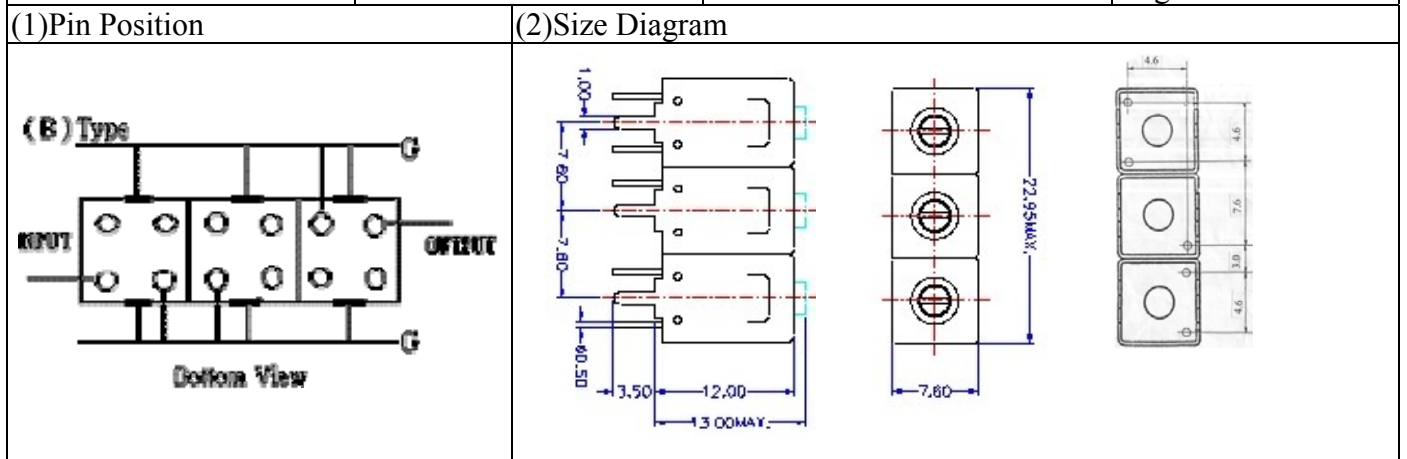


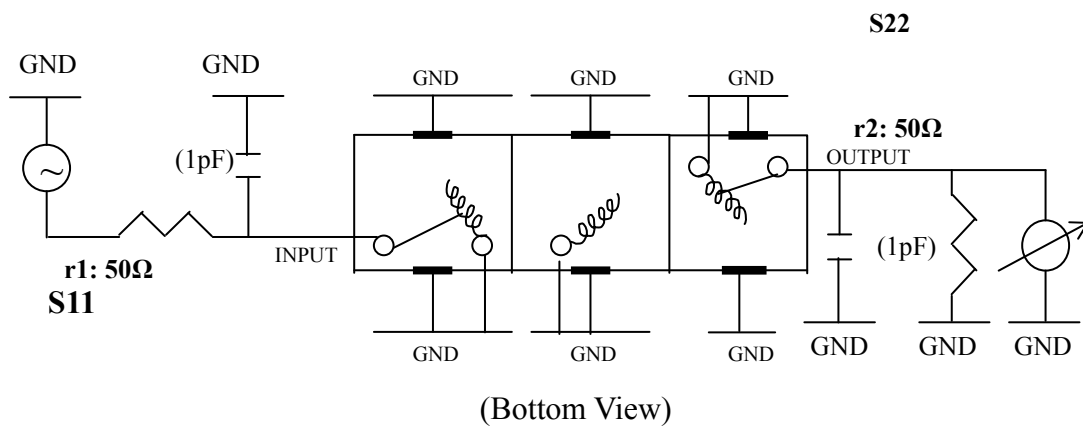
VHF UHF Helical Filter Specification Sheet

Customer Name		Temwell's Part No.	TT67786B-988M
Approval No. /dated	20507154DC	Acceptable Specify Fo Range	976~1000MHz
Work Instruction No.	20507154DC	Date	Aug.16.2005



(3) Electric Character			
Item	Specify		Performance
Center Freq.(Fo) +/- 0.5 %	988	MHz	988 MHz
Tunable Range	988±5	MHz	988±5 MHz
Insertion Loss	Typ. 4.0	dB	3.22 dB
-3 dB Bandwidth	Typ. 24	MHz	30.7 MHz
Sensitivity (Attenuation)	Fo - 50 MHz	Typ. 31 dBc	34 dBc
	Fo + 50 MHz	Typ. 22 dBc	25 dBc
	Fo - ()MHz	Typ. dBc	dBc
	Fo +()MHz	Typ. dBc	dBc
Return Loss	Min. 12	dB	17.1 dB
Ripple	< 1	dB	dB
Impedance	In / Out : 50 Ω		In / Out : 50 Ω
(4) Torque for Tuning Screw		> 100gf · cm	
(5) Temperature Condition:			
Operating Temperature	0°C ~ +60°C		
Storage Temperature	-20°C ~ +70°C		
(6) Input Power	> 1Watt		

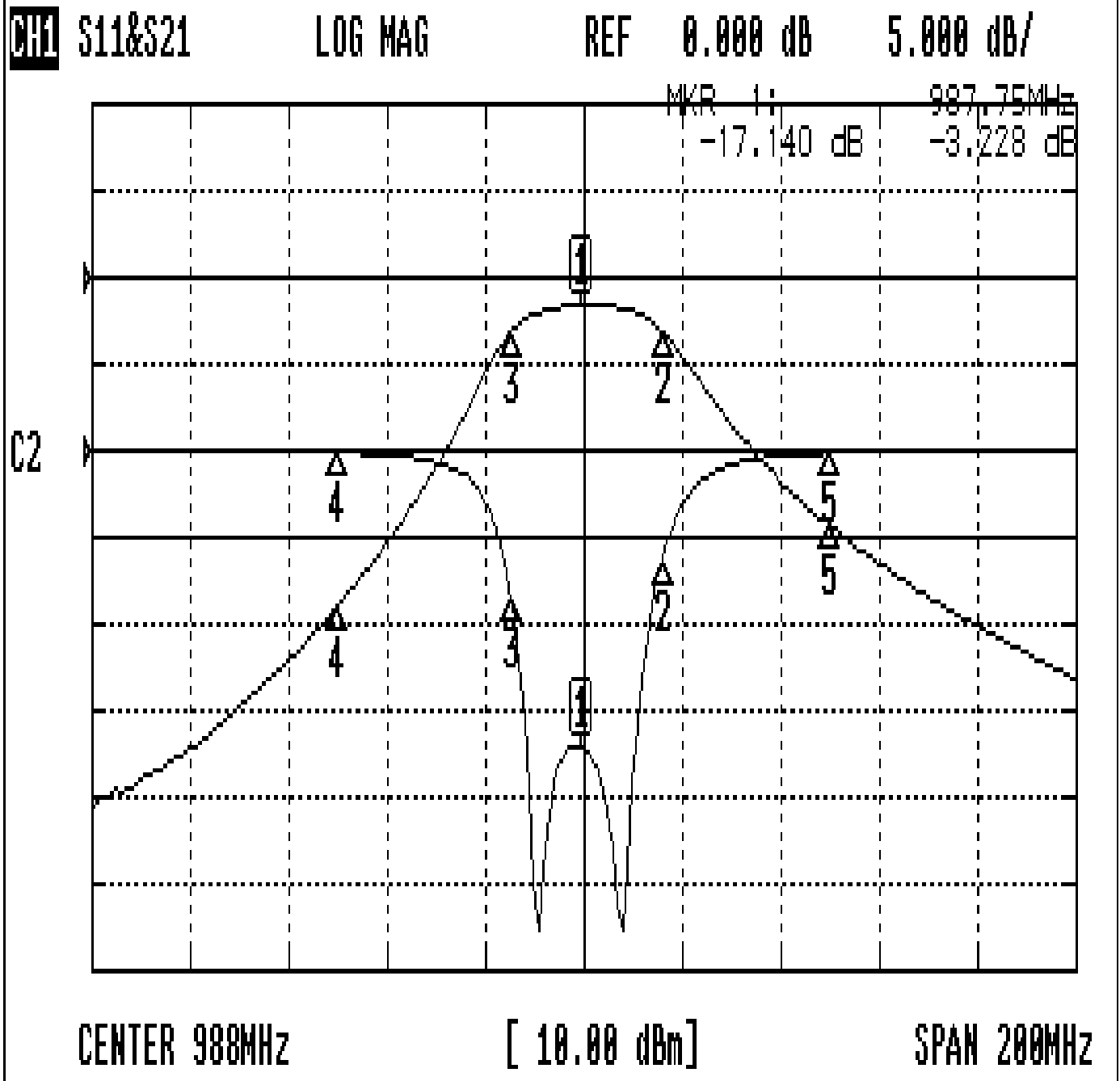
(7) Measuring Circuit: ※Easy to match Impedance S11/S22 50Ω/by parallel with about(1 pF) / (1 pF).



Approval	Supervisor	Designer	Aperture size
C.Y. Chang	C.S. Chang	C.S. Chang	7H3S(4*5.5) 7H046RB4
TEMWELL CORPORATION			

Performance-TT67786B-988M

20507154DC



CH1 MARKER LIST

1:	987.750MHz	-17.140 dB	-3.228 dB
2:	1.004 000GHz	-6.241 dB	-6.218 dB
3:	973.333MHz	-8.553 dB	-6.261 dB
4:	938.000MHz	-0.081 dB	-37.904 dB
5:	1.038 000GHz	-0.104 dB	-28.634 dB