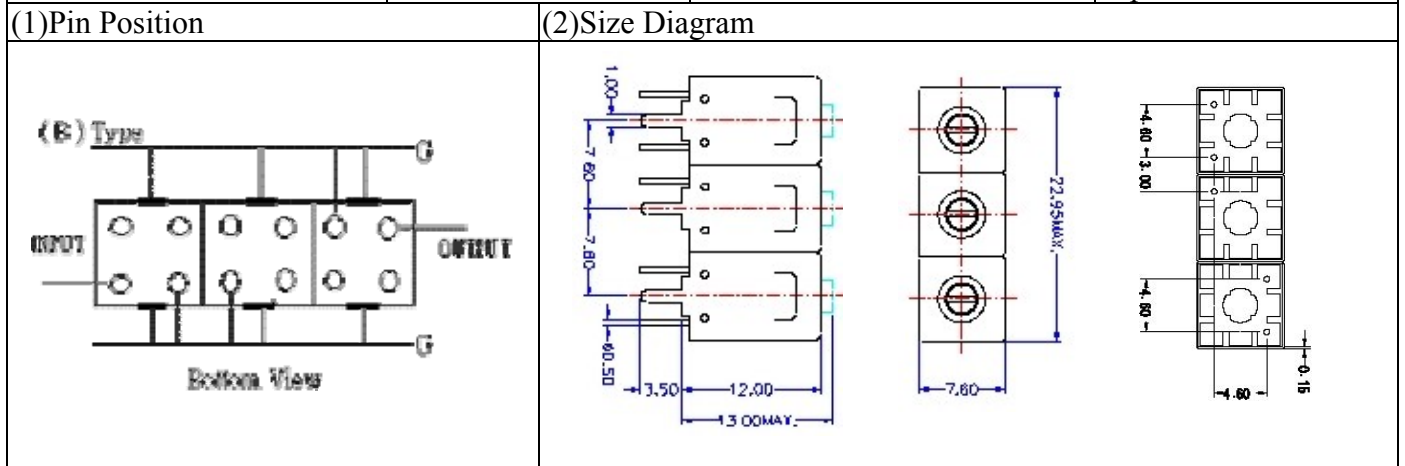


# VHF UHF Helical Filter Specification Sheet

Customer Name		Temwell's Part No.	TT67787B-1215M
Approval No. /dated	201007006CD	Temwell's Print Name.	67787B 1215M
Work Instruction No.	201007006CD	Date	Sep.08.2010



### (3) Electric Characteristic

Item	Specify	Performance	
Center Freq.(Fo) +/-0.5 %	1215 MHz	1215 MHz	
Insertion Loss	Typ. 4.0 dB	2.81 dB	
-3 dB Bandwidth	Typ. 25 MHz	32.6 MHz	
Sensitivity (Attenuation)	Fo - 50 MHz	Typ. 27 dBc	30 dBc
	Fo + 50 MHz	Typ. 18 dBc	21 dBc
	Fo - ( )MHz	Typ. dBc	dBc
	Fo +( )MHz	Typ. dBc	dBc
Return Loss	Min. 12 dB	34.2 dB	
Ripple	< 1 dB	dB	
Impedance	In / Out : 50 Ω	In / Out : 50 Ω	
(4) Torque for Tuning Screw	> 100gf · cm		

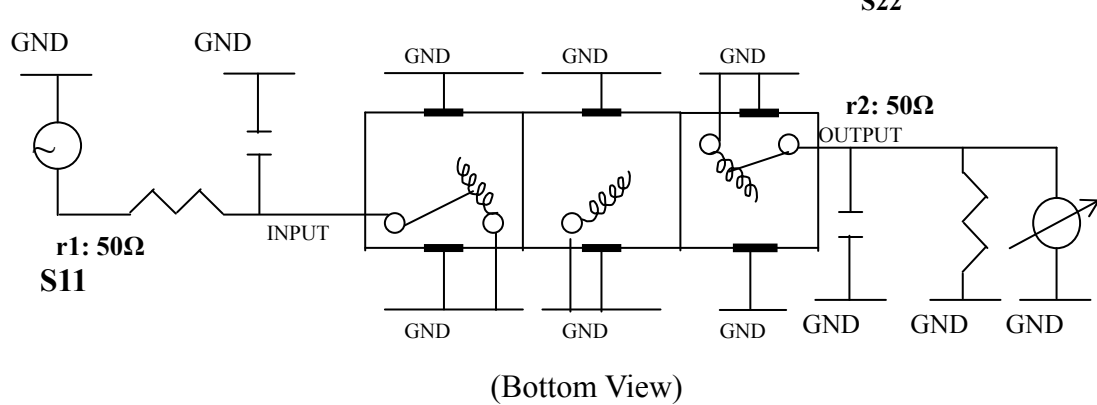
### (5) Temperature Condition:

Operating Temperature	0°C ~ +60°C
Storage Temperature	-20°C ~ +70°C

### (6) Input Power

> 1Watt

### (7) Measuring Circuit: ※Easy to match Impedance S11/S22 50Ω by parallel with about(--)/ (--).



Approval	Supervisor	Designer	Aperture size
C.Y.Chang	C.K.Chang	C.S.Chang	7H3S(4*6.5)(6.56) (7H046RB4.3 聚 3)

TEMWELL CORPORATION

# Performance-TT67787B-1215M

## 201007006CD

