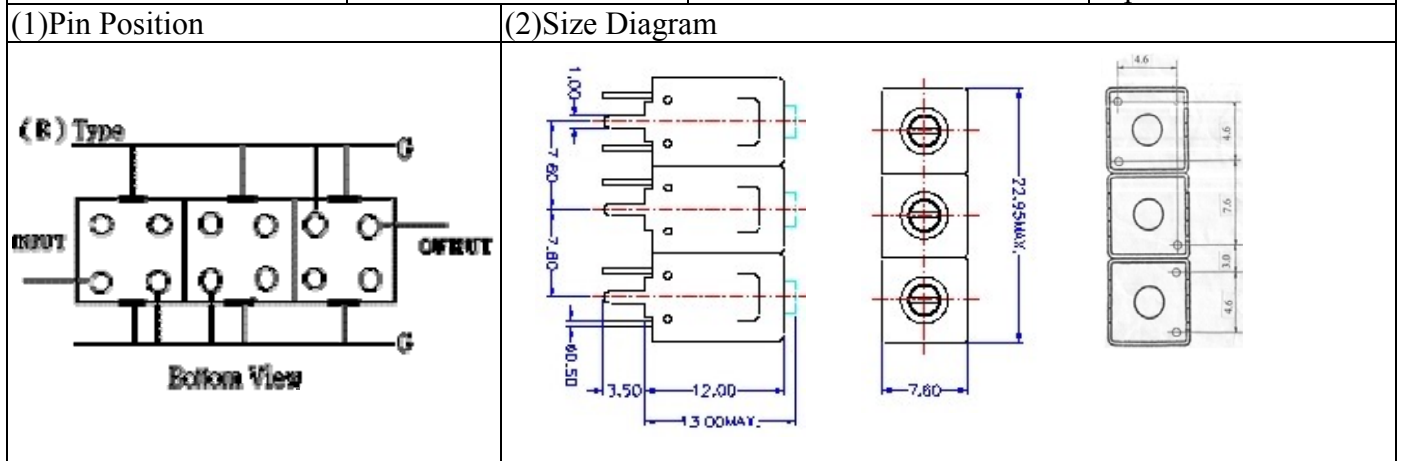


VHF UHF Helical Filter Specification Sheet

Customer Name		Temwell's Part No.	TT67789B-1275M
Approval No. /dated	20507157DC	Acceptable Specify Fo Range	1251~1300MHz
Work Instruction No.	20507157DC	Date	Sep.02.2005



(3) Electric Character

Item	Specify	Performance
Center Freq.(Fo) +/- 0.5 %	1275 MHz	1275 MHz
Tunable Range	1275±5 MHz	1275±5 MHz
Insertion Loss	Typ. 3.0 dB	2.11 dB
-3 dB Bandwidth	Typ. 35 MHz	43.3 MHz
Sensitivity (Attenuation)	Fo - 100 MHz	Typ. 41 dBc
	Fo + 100 MHz	Typ. 28 dBc
	Fo - ()MHz	Typ. dBc
	Fo +()MHz	Typ. dBc
Return Loss	Min. 12 dB	21.7 dB
Ripple	< 1 dB	
Impedance	In / Out : 50 Ω	In / Out : 50 Ω

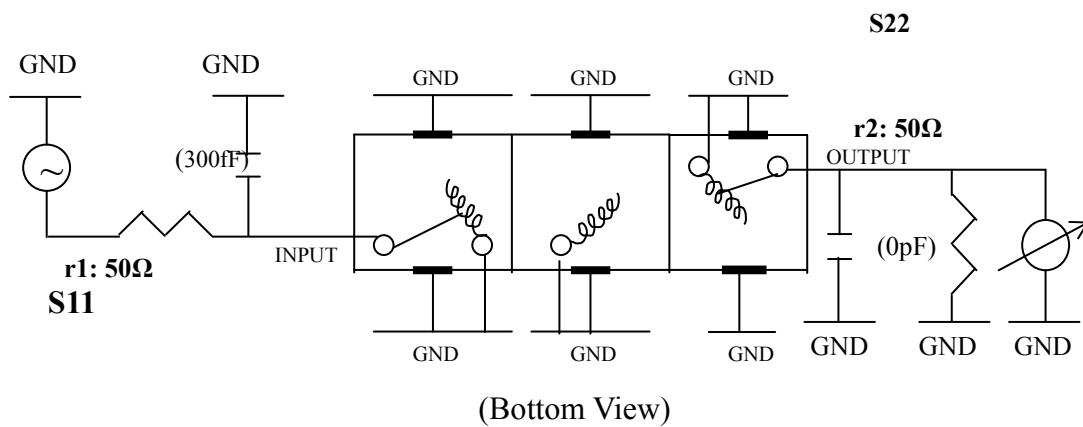
(4) Torque for Tuning Screw > 100gf · cm

(5) Temperature Condition:

Operating Temperature	0°C ~ +60°C
Storage Temperature	-20°C ~ +70°C

(6) Input Power > 1Watt

(7) Measuring Circuit: ※Easy to match Impedance S11/S22 50Ω/by parallel with about(300 fF) / (0 pF).

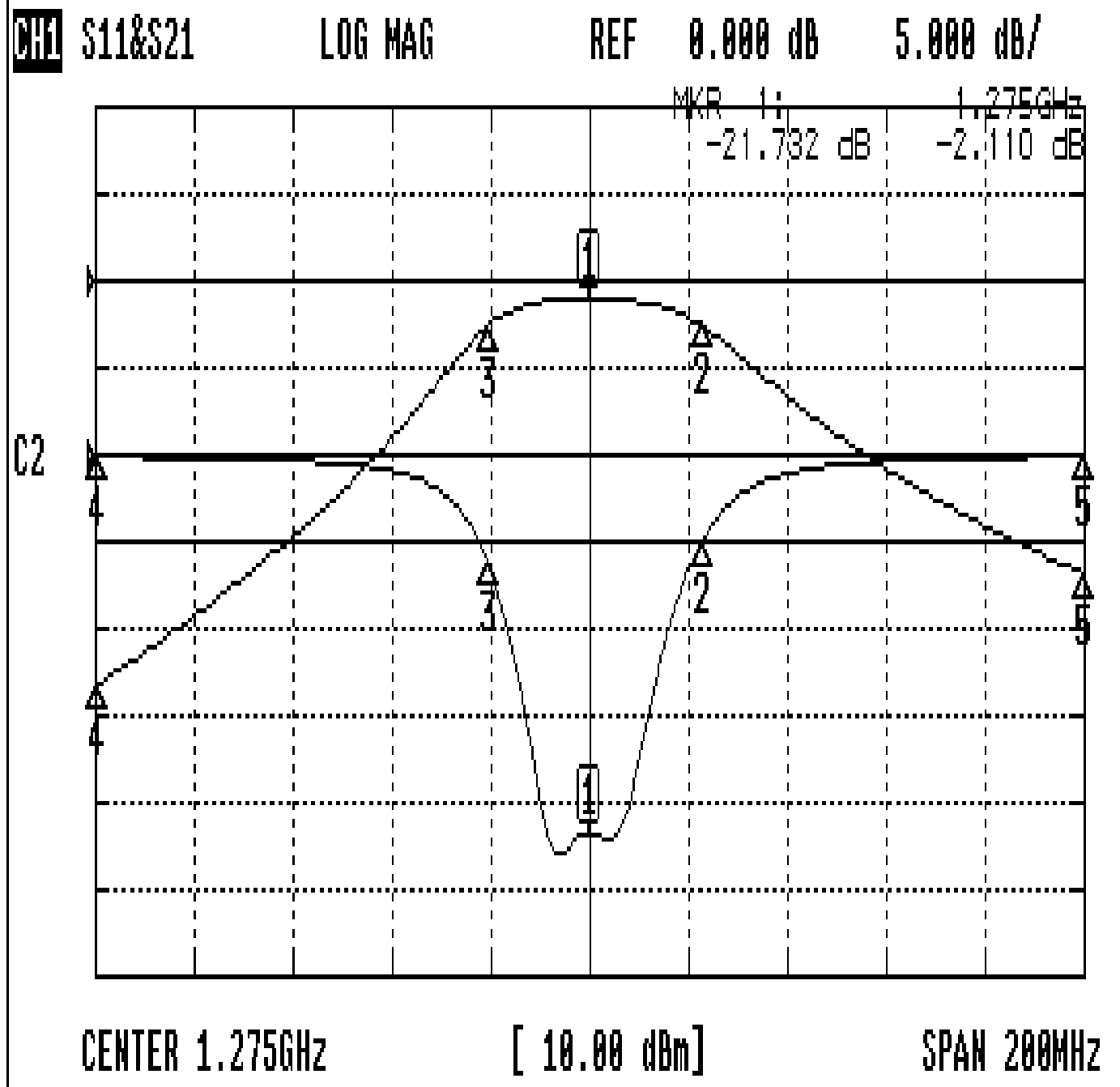


Approval	Supervisor	Designer	Aperture size
C.Y. Chang	C.S. Chang	C.S. Chang	7H3S(4*6.5) 7H046RB4

TEMWELL CORPORATION

Performance-TT67789B-1275M

20507157DC



CH1 MARKER LIST

1:	1.275 000GHz	-21.732 dB	-2.110 dB
2:	1.297 833GHz	-4.959 dB	-5.165 dB
3:	1.254 500GHz	-6.248 dB	-5.145 dB
4:	1.175 000GHz	-0.121 dB	-46.514 dB
5:	1.375 000GHz	-0.079 dB	-33.609 dB