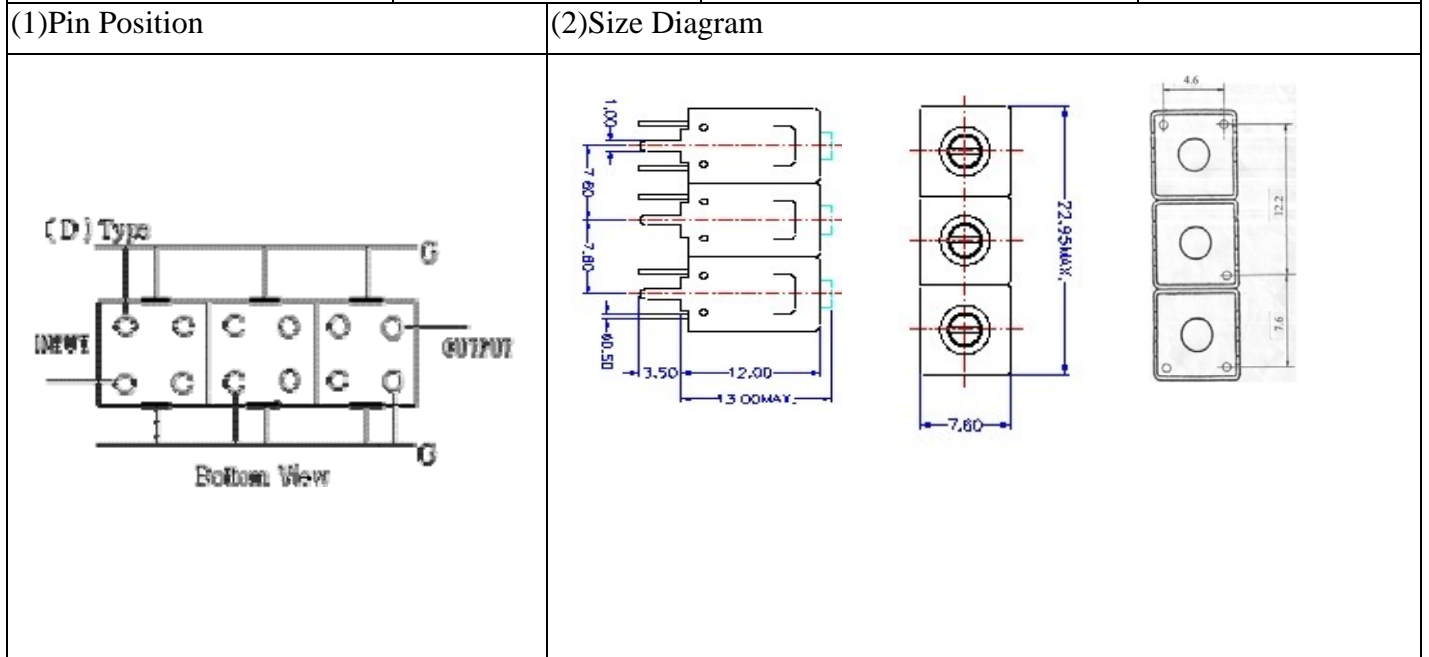


VHF UHF Helical Filter Specification Sheet

Customer Name		Temwell's Part No.	TT6778D-580M
Approval No. /dated	2008023B	Acceptable Specify Fo Range	556~595MHz
Work Instruction No.	2008023B	Date	Aug.07.2000



(3) Electric Characteristic

Item	Specify	Performance	
Center Freq.(Fo) +/- 0.5 %	580 MHz	580 MHz	
Tunable Range:	580±5 MHz	580±5 MHz	
Insertion Loss	Typ. 2.5 dB	1.6 dB	
-3 dB Bandwidth	Typ. 20 MHz	24 MHz	
Sensitivity (Attenuation)	Fo - 50 MHz	Typ. 44 dBc	46 dBc
	Fo + 50 MHz	Typ. 30 dBc	33 dBc
	Fo - ()MHz	Typ. dBc	dBc
	Fo + ()MHz	Typ. dBc	dBc
Return Loss	Min. 12 dB	20.9 dB	
Ripple	< 1 dB	dB	
Impedance	In / Out : 50 Ω	In / Out : 50 Ω	
(4) Torque for Tuning Screw	> 100gf · cm		

(5) Temperature Condition:

Operating Temperature	0°C ~ +60°C
Storage Temperature	-20°C ~ +70°C

(6) Input Power

	> 1Watt
--	---------

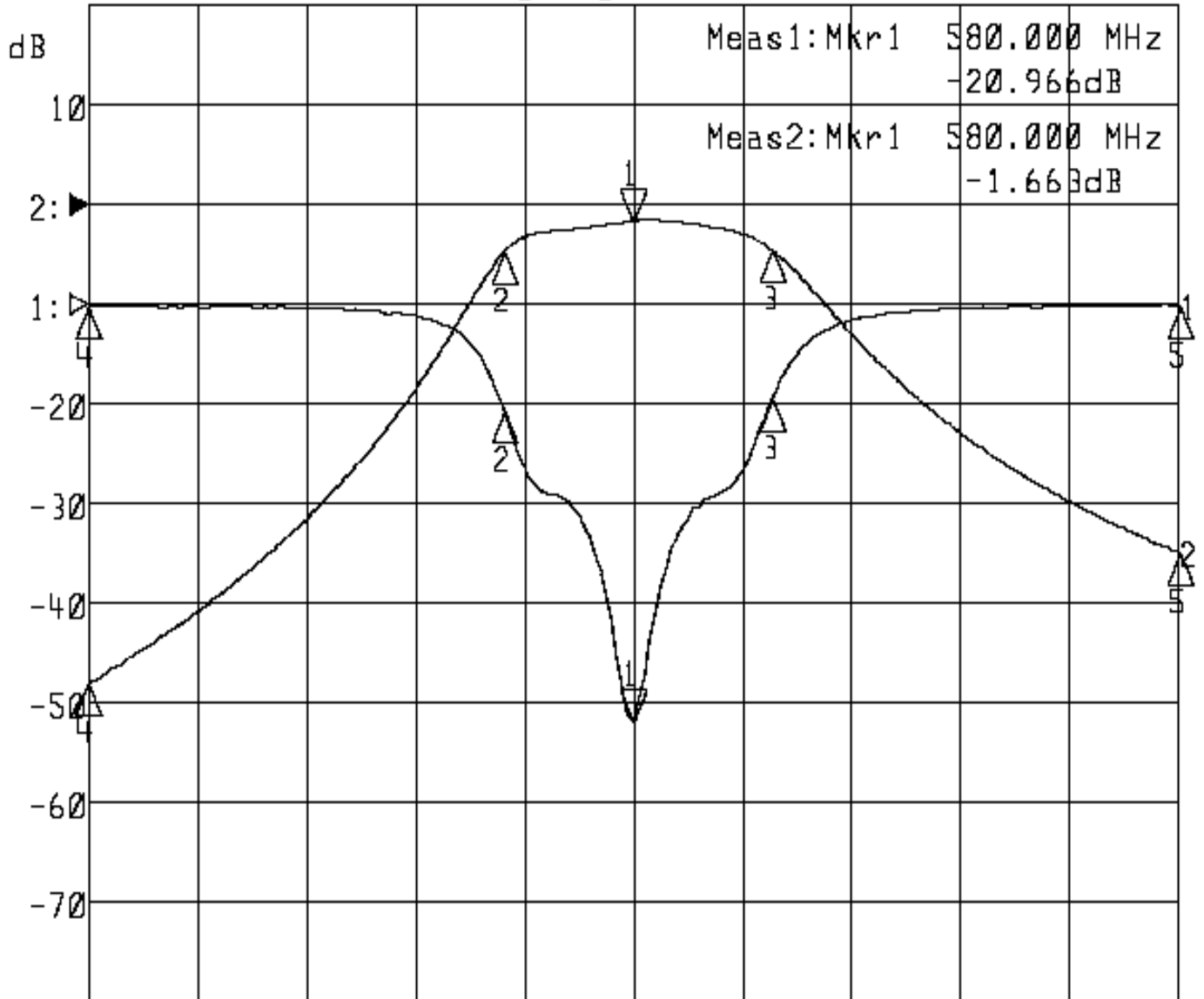
Approval C.Y.Chang	Supervisor C.S.Chang	Designer C.S.Chang	Aperture size 7H3S(4*5.5)F 7H046LB4 聚 3
-----------------------	-------------------------	-----------------------	---

Performance-TT6778D-580M

2008023B

▶1:S11 Refl Port1 Log Mag 5.0 dB/ Ref 0.00 dB C

▶2:S21 Fwd Trans Log Mag 10.0 dB/ Ref 0.00 dB C



Center 580.000 MHz

Span 100.000 MHz

1:Mkr (MHz)	dB	2:Mkr (MHz)	dB
1> 580.0000	-20.966	1> 580.0000	-1.663
2: 568.2000	-5.432	2: 568.2000	-4.665
3: 592.7667	-4.701	3: 592.7667	-4.622
4: 530.0000	-0.112	4: 530.0000	-47.992
5: 630.0000	-0.094	5: 630.0000	-34.907