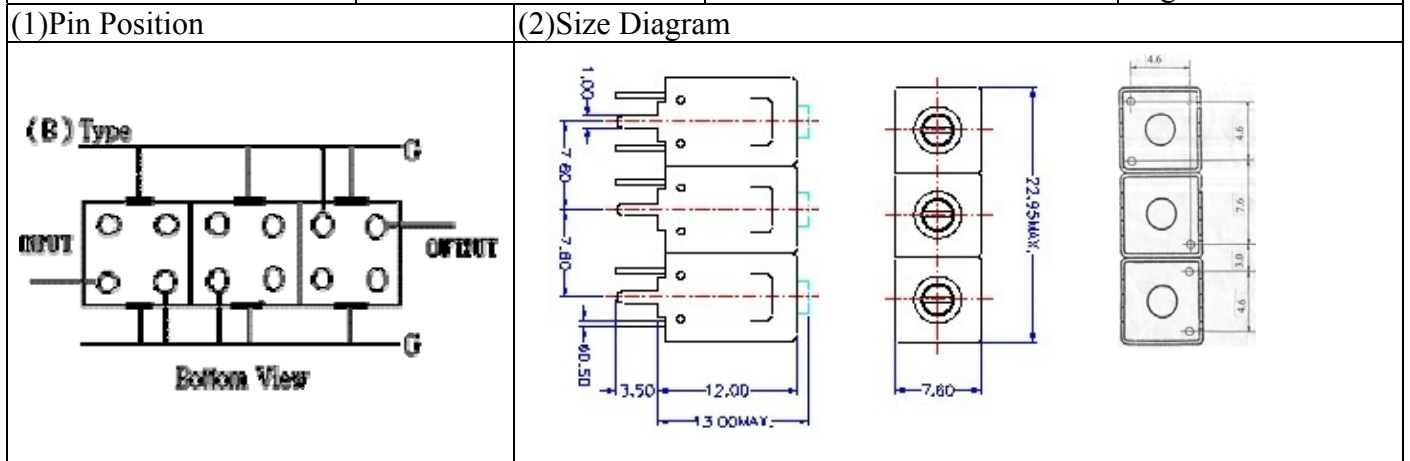


VHF UHF Helical Filter Specification Sheet

Customer Name		Temwell's Part No.	TT67790B-675M
Approval No. /dated	20507158DC	Acceptable Specify Fo Range	661~700MHz
Work Instruction No.	20507158DC	Date	Aug.22.2005



(3) Electric Character

Item	Specify	Performance
Center Freq.(Fo) +/- 0.5 %	675 MHz	675 MHz
Tunable Range	675±3 MHz	675±3 MHz
Insertion Loss	Typ. 2.5 dB	1.34 dB
-3 dB Bandwidth	Typ. 40 MHz	47.7 MHz
Sensitivity (Attenuation)	Fo - 100 MHz	Typ. 44 dBc
	Fo + 100 MHz	Typ. 31 dBc
	Fo - ()MHz	Typ. dBc
	Fo +()MHz	Typ. dBc
Return Loss	Min. 12 dB	22 dB
Ripple	< 1 dB	
Impedance	In / Out : 50 Ω	In / Out : 50 Ω

(4) Torque for Tuning Screw > 100gf · cm

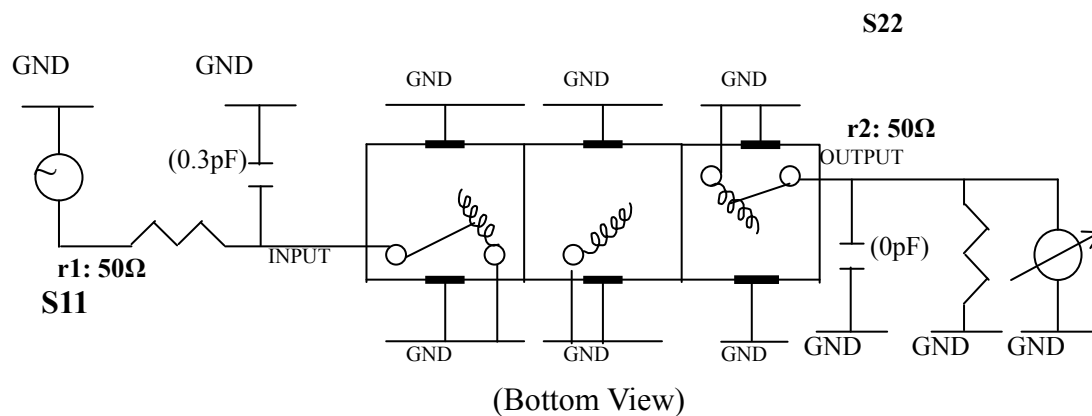
(5) Temperature Condition:

Operating Temperature 0°C ~ +60°C

Storage Temperature -20°C ~ +70°C

(6) Input Power > 1Watt

(7) Measuring Circuit: ※Easy to match Impedance S11/S22 50Ω/by parallel with about(0.3 pF) / (0 pF).



Approval	Supervisor	Designer	Aperture size
C.Y. Chang	C.S. Chang	J.F. Lin	7H3S(4*4.65)(4.70)F 7H046RB5.5

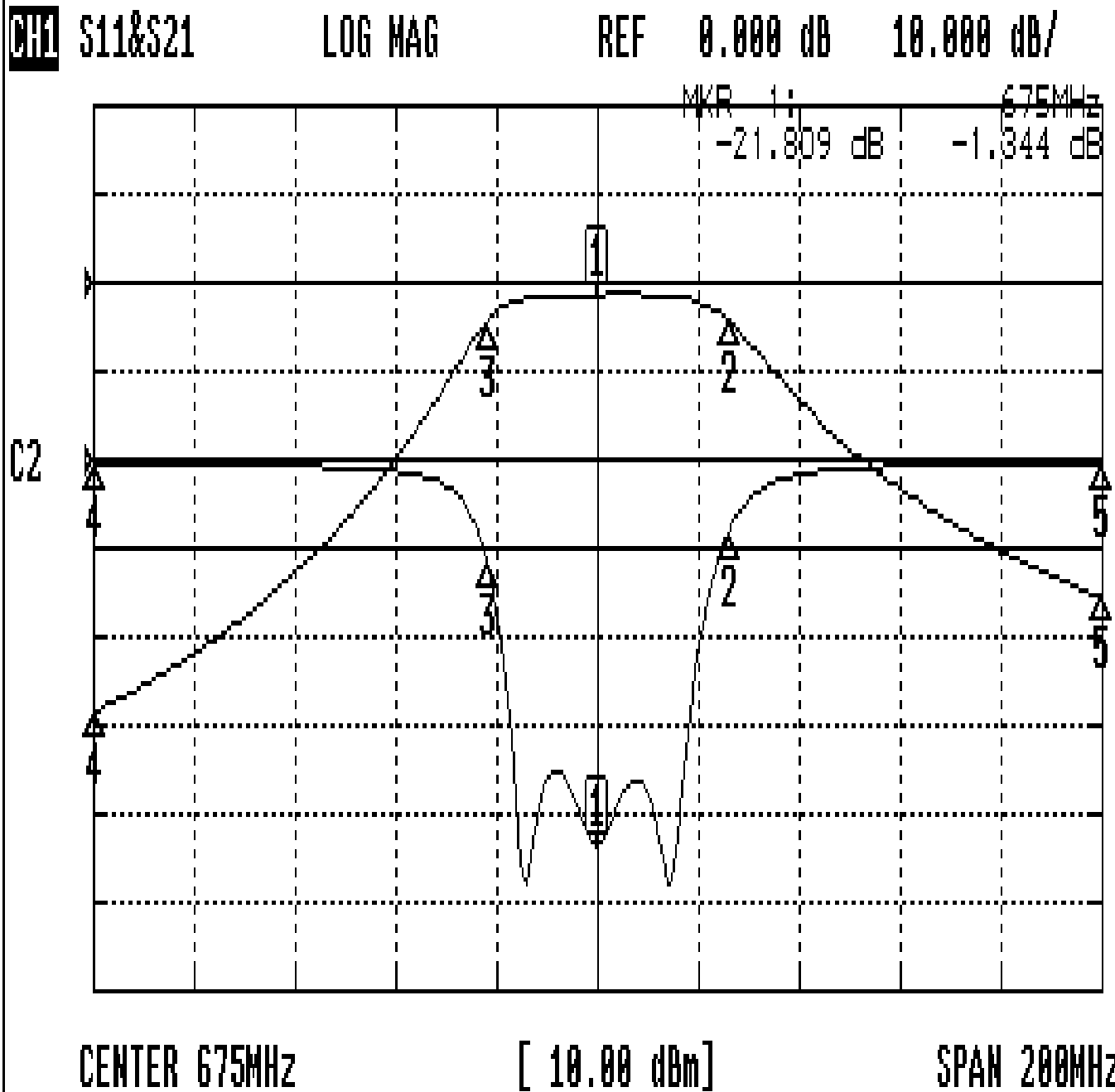
TEMWELL CORPORATION

TEMWELL

Form10-7H3B Vision D

Performance-TT67790B-675M

20507158DC



CH1 MARKER LIST

1:	675.000MHz	-21.809 dB	-1.344 dB
2:	701.000MHz	-4.899 dB	-4.340 dB
3:	653.333MHz	-5.994 dB	-4.307 dB
4:	575.000MHz	-0.268 dB	-48.382 dB
5:	775.000MHz	-0.264 dB	-35.464 dB