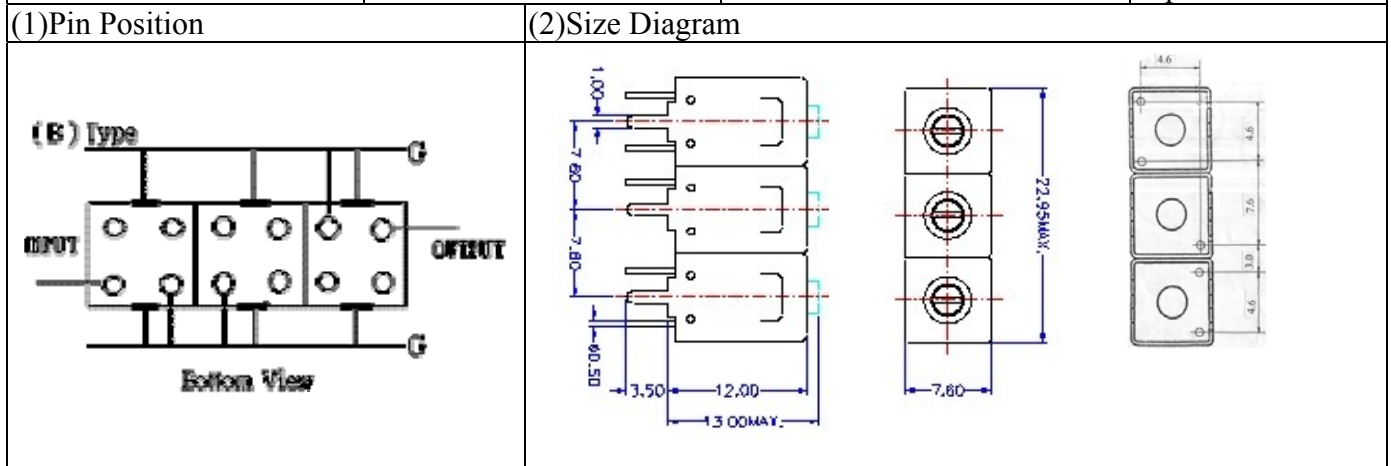


VHF UHF Helical Filter Specification Sheet

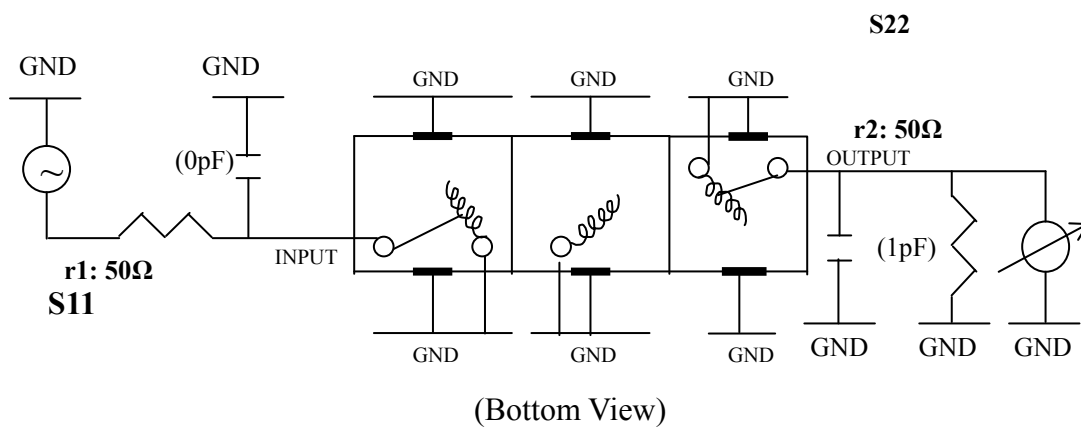
Customer Name		Temwell's Part No.	TT67791B-775M
Approval No. /dated	20507159DC	Acceptable Specify Fo Range	751~800MHz
Work Instruction No.	20507159DC	Date	Sep.10.2005



(3) Electric Character

Item		Specify		Performance	
Center Freq.(Fo) +/- 0.5 %		775	MHz	775	MHz
Tunable Range		775±5	MHz	775±5	MHz
Insertion Loss		Typ. 2.5	dB	1.63	dB
-3 dB Bandwidth		Typ. 40	MHz	47	MHz
Sensitivity (Attenuation)	Fo - 120 MHz	Typ. 44	dBc	47	dBc
	Fo + 120 MHz	Typ. 30	dBc	33	dBc
	Fo - ()MHz	Typ.	dBc		dBc
	Fo + ()MHz	Typ.	dBc		dBc
Return Loss		Min. 12	dB	32.1	dB
Ripple		< 1	dB		dB
Impedance		In / Out : 50 Ω		In / Out : 50 Ω	
(4) Torque for Tuning Screw		> 100gf · cm			
(5) Temperature Condition:					
Operating Temperature		0°C ~ +60°C			
Storage Temperature		-20°C ~ +70°C			
(6) Input Power		> 1Watt			

(7) Measuring Circuit: ※Easy to match Impedance S11/S22 50Ω/by parallel with about(0 pF) / (1 pF).

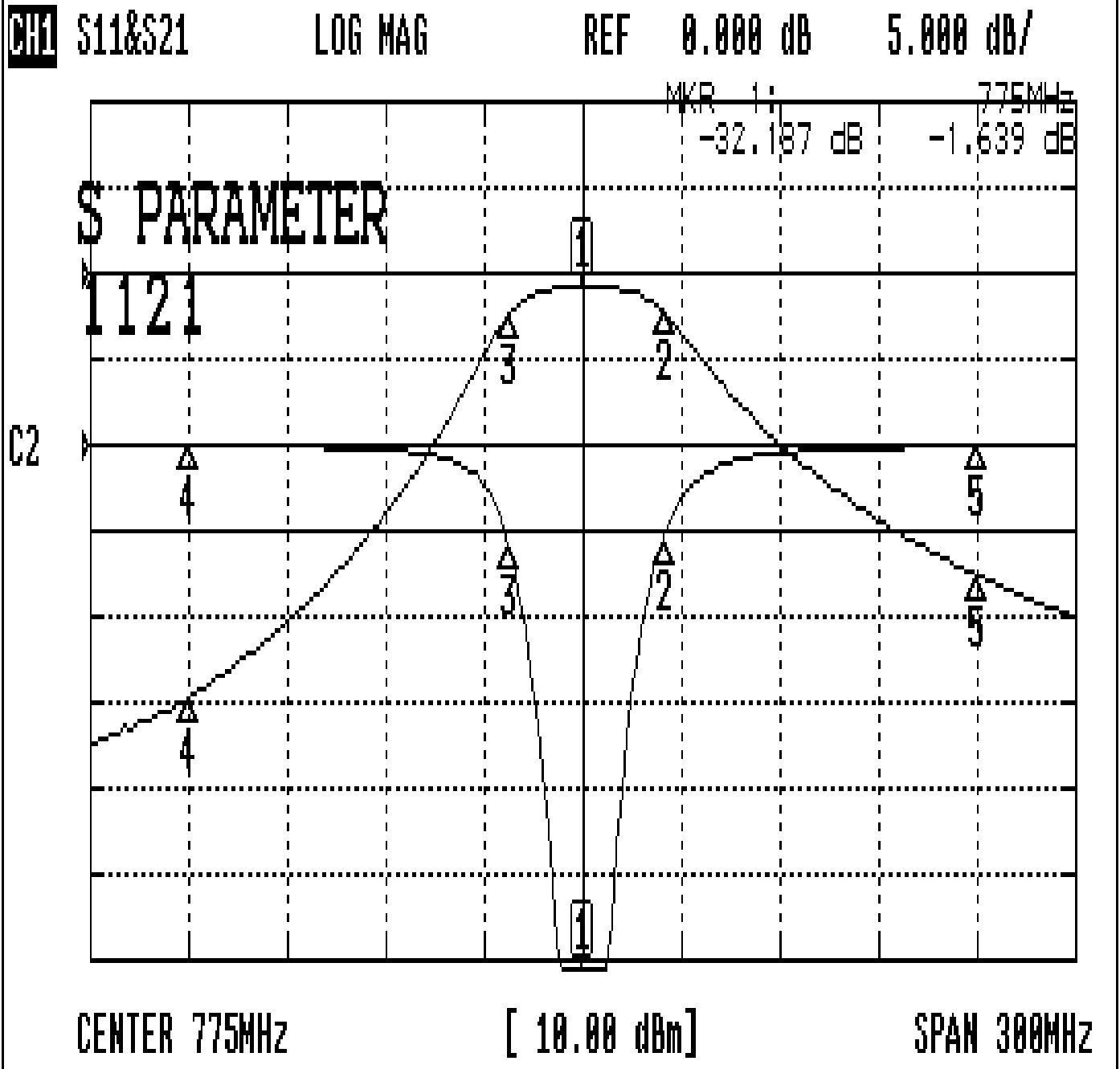


Approval	Supervisor	Designer	Aperture size
C.Y. Chang	C.S. Chang	W.W. Wang	7H3(4*4.65)(4.72)F 7H046RB5.5

TEMWELL CORPORATION

Performance-TT67791B-775M

20507159DC



CH1 MARKER LIST

1:	775.000MHz	-32.144 dB	-1.638 dB
2:	799.750MHz	-5.301 dB	-4.618 dB
3:	752.750MHz	-5.929 dB	-4.692 dB
4:	655.000MHz	-0.040 dB	-49.298 dB
5:	895.000MHz	-0.065 dB	-35.121 dB