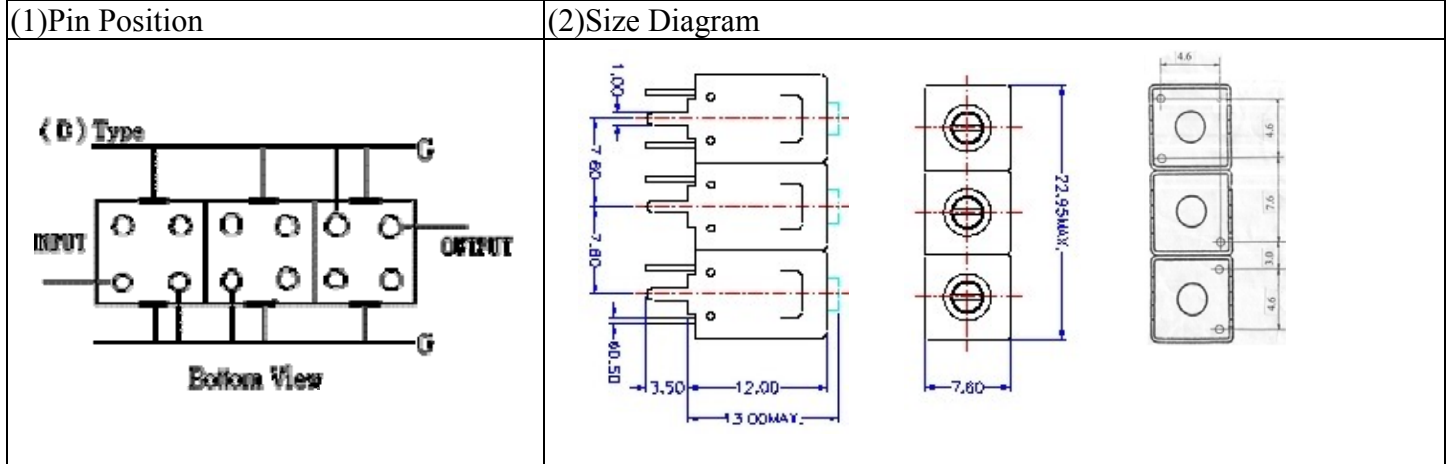


# VHF UHF Helical Filter Specification Sheet

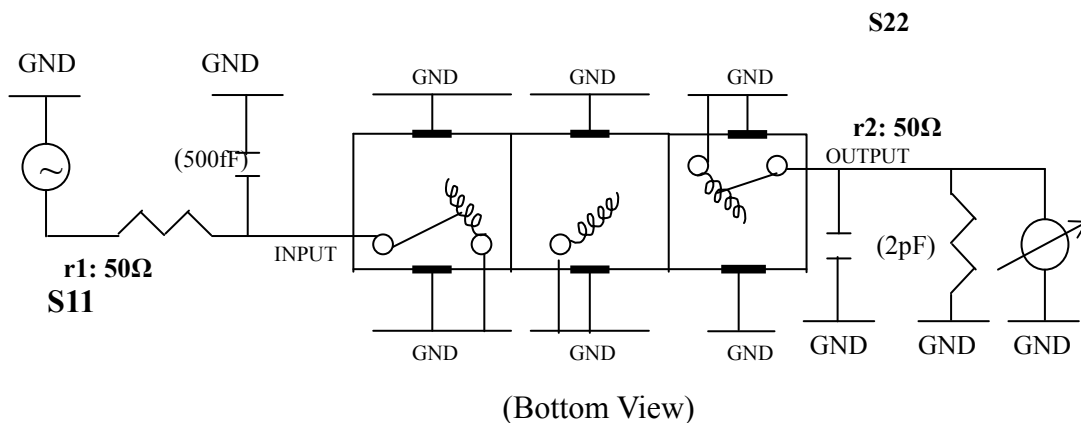
Customer Name		Temwell's Part No.	TT67792B-845M
Approval No. /dated	20507160DC	Acceptable Specify Fo Range	831~860MHz
Work Instruction No.	20507160DC	Date	Aug.12.2005



(3) Electric Character		Item	Specify	Performance
		Center Freq.(Fo) +/- 0.5 %	845 MHz	845 MHz
		Tunable Range	845±5 MHz	845±5 MHz
		Insertion Loss	Typ. 2.5 dB	1.70 dB
		-3 dB Bandwidth	Typ. 40 MHz	51.3 MHz
Sensitivity (Attenuation)	Fo - 100 MHz	Typ. 33 dBc	36 dBc	
	Fo + 100 MHz	Typ. 20 dBc	22 dBc	
	Fo - ( )MHz	Typ. dBc	dBc	
	Fo + ( )MHz	Typ. dBc	dBc	
		Return Loss	Min. 12 dB	19.2 dB
		Ripple	< 1 dB	dB
		Impedance	In / Out : 50 Ω	In / Out : 50 Ω

(4) Torque for Tuning Screw	> 100gf • cm
(5) Temperature Condition:	
Operating Temperature	0°C ~ +60°C
Storage Temperature	-20°C ~ +70°C
(6) Input Power	> 1Watt

(7) Measuring Circuit: ※Easy to match Impedance S11/S22 50Ω/by parallel with about(500 fF) / (2 pF).

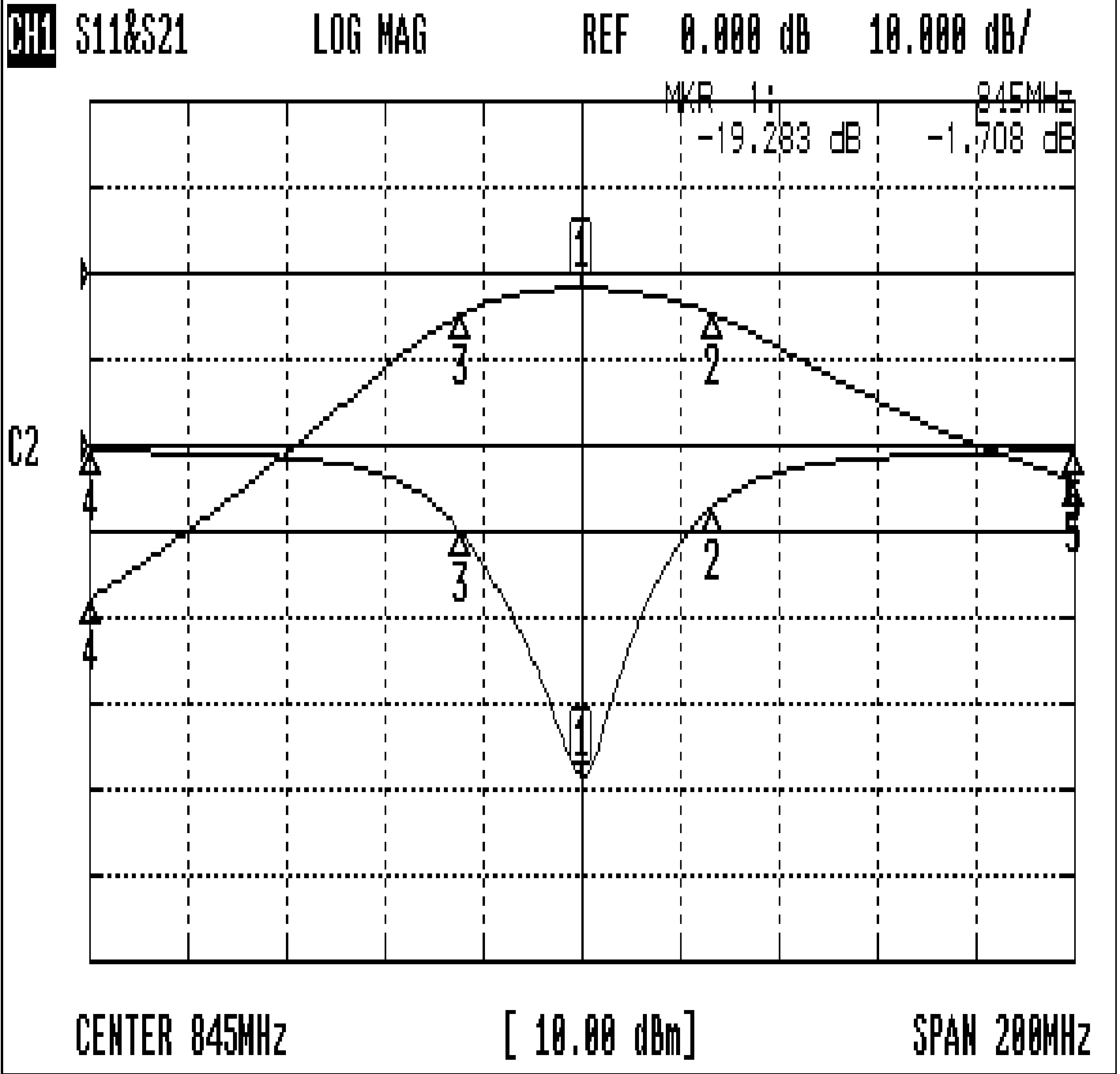


Approval	Supervisor	Designer	Aperture size
C.Y.Chang	C.S.Chang	W.W.Wang	7H3S(4*6.5)(6.60)F 7H046RB5.5

TEMWELL CORPORATION

# Performance-TT67792B-845M

## 20507160DC



### CH1 MARKER LIST

1:	845.000MHz	-19.283 dB	-1.708 dB
2:	871.833MHz	-3.522 dB	-4.757 dB
3:	820.500MHz	-5.093 dB	-4.769 dB
4:	745.000MHz	-0.336 dB	-37.788 dB
5:	945.000MHz	-0.352 dB	-24.027 dB