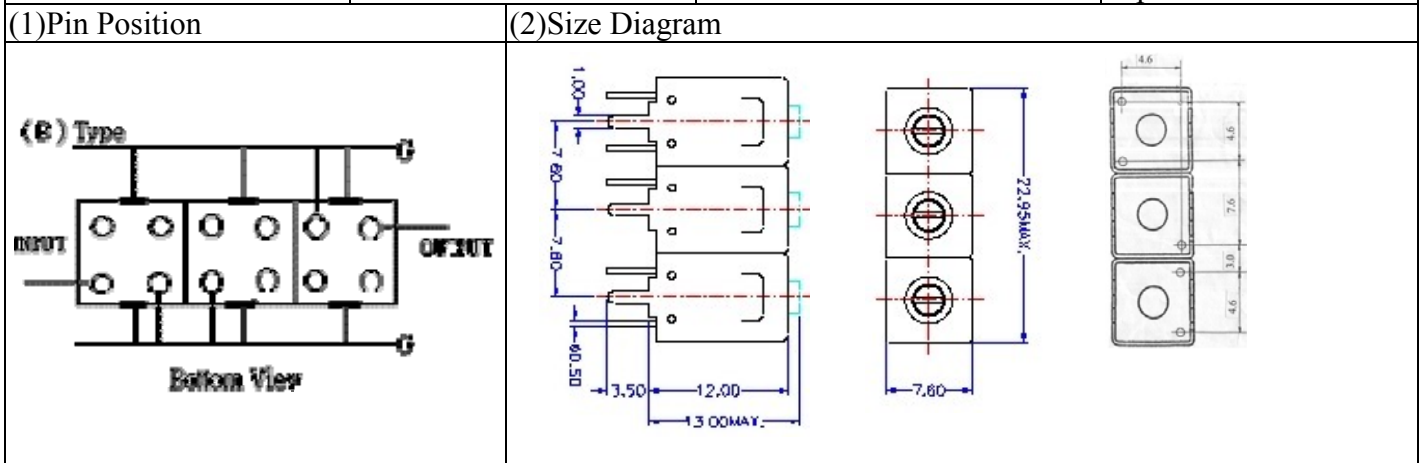


# VHF UHF Helical Filter Specification Sheet

Customer Name		Temwell's Part No.	TT67793B-915M
Approval No. /dated	20507161DC	Acceptable Specify Fo Range	901~930MHz
Work Instruction No.	20507161DC	Date	Sep.12.2005



**(3) Electric Character**

Item	Specify	Performance
Center Freq.(Fo) +/- 0.5 %	915 MHz	915 MHz
Tunable Range	915±5 MHz	915±5 MHz
Insertion Loss	Typ. 3.5 dB	2.20 dB
-3 dB Bandwidth	Typ. 40 MHz	50.0 MHz
Sensitivity (Attenuation)	Fo - 100 MHz	Typ. 31 dBc
	Fo + 100 MHz	Typ. 21 dBc
	Fo - ( )MHz	Typ. dBc
	Fo +( )MHz	Typ. dBc
Return Loss	Min. 12 dB	21.5 dB
Ripple	< 1 dB	dB
Impedance	In / Out : 50 Ω	In / Out : 50 Ω

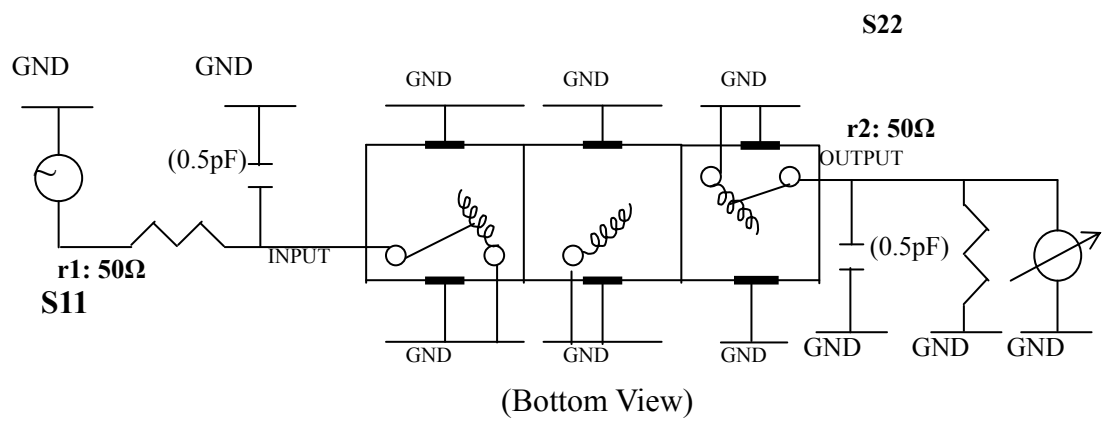
(4) Torque for Tuning Screw > 100gf • cm

(5) Temperature Condition:

Operating Temperature	0°C ~ +60°C
Storage Temperature	-20°C ~ +70°C

(6) Input Power > 1Watt

(7) Measuring Circuit: ※Easy to match Impedance S11/S22 50Ω/by parallel with about( 0.5 pF) / ( 0.5pF).

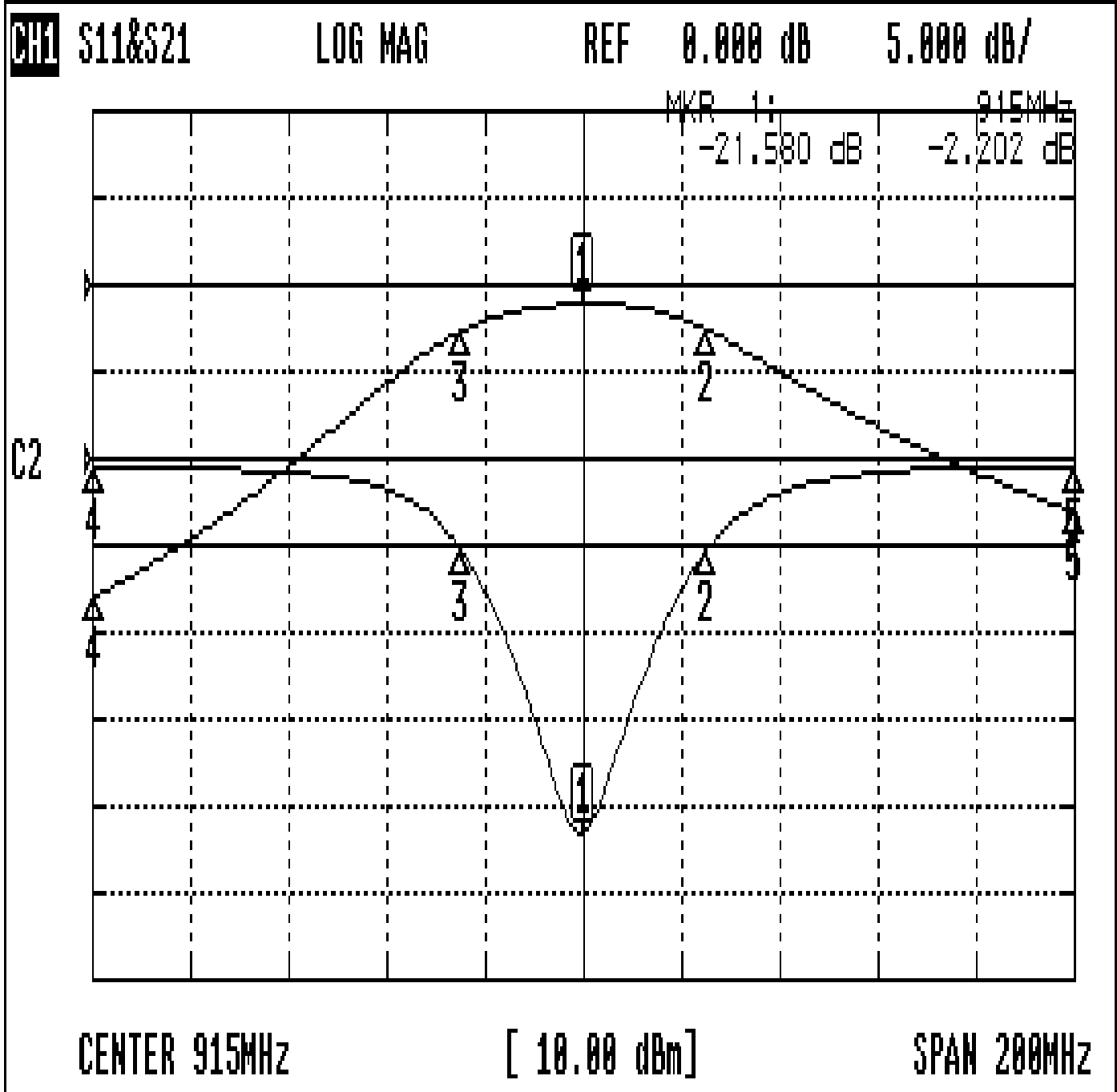


Approval	Supervisor	Designer	Aperture size
C.Y. Chang	C.S. Chang	P.H. Chiang	7H3(4*4.65)(4.70) 7H046RB5.5

TEMWELL CORPORATION

# Performance-TT67793B-915M

## 20507161DC



### CH1 MARKER LIST

1:	915.000MHz	-21.580 dB	-2.202 dB
2:	940.166MHz	-5.268 dB	-5.210 dB
3:	890.166MHz	-5.263 dB	-5.231 dB
4:	815.000MHz	-0.432 dB	-35.999 dB
5:	1.015 000GHz	-0.411 dB	-26.037 dB