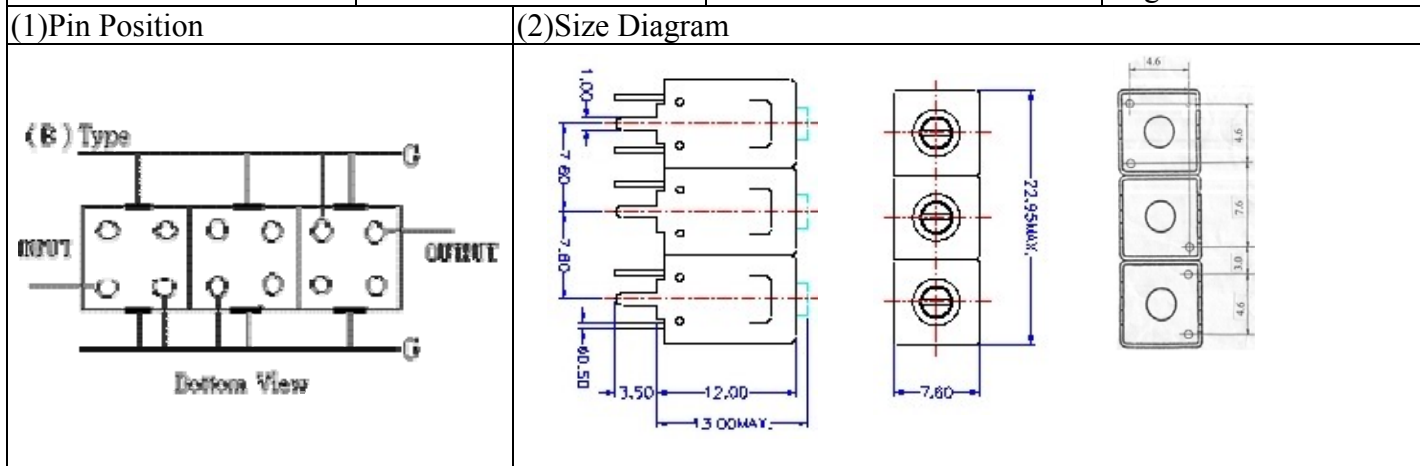


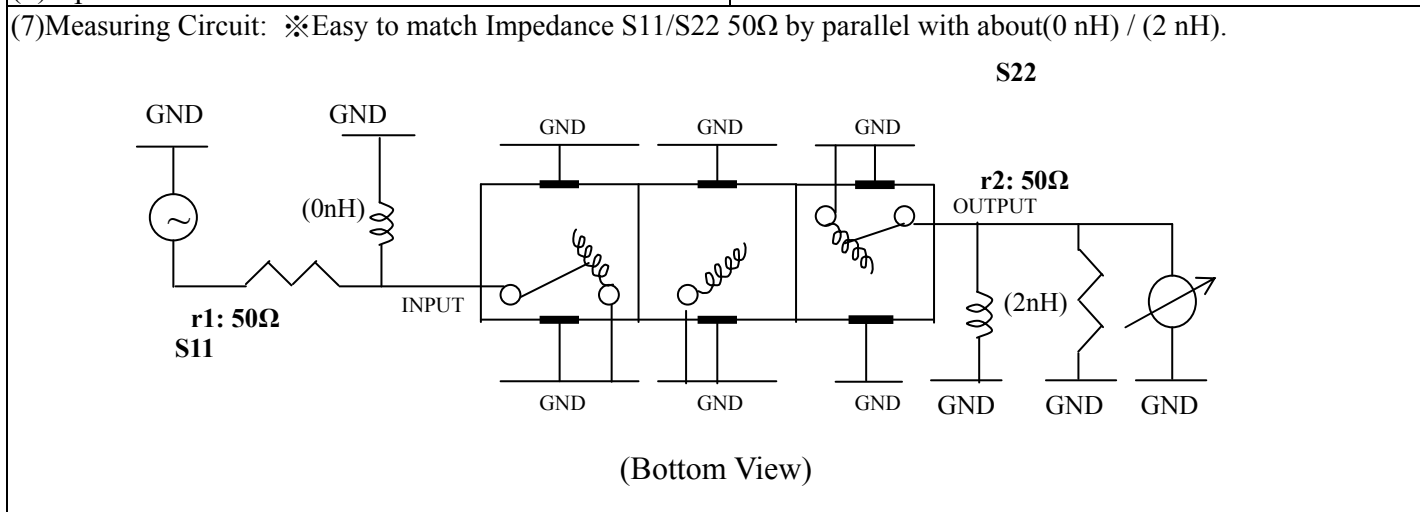
VHF UHF Helical Filter Specification Sheet

Customer Name		Temwell's Part No.	TT67794B-1215M
Approval No. /dated	20507162DC	Acceptable Specify Fo Range	1181~1250MHz
Work Instruction No.	20507162DC	Date	Aug.29.2005



(3) Electric Character					
Item		Specify		Performance	
Center Freq.(Fo) +/- 0.5 %		1215 MHz		1215 MHz	
Tunable Range		1215±5 MHz		1215±5 MHz	
Insertion Loss		Typ. 2.5 dB		1.53 dB	
-3 dB Bandwidth		Typ. 40 MHz		52.5 MHz	
Sensitivity (Attenuation)	Fo - 100 MHz	Typ. 45 dBc		50 dBc	
	Fo + 100 MHz	Typ. 26 dBc		29 dBc	
	Fo - ()MHz	Typ. dBc		dBc	
	Fo +()MHz	Typ. dBc		dBc	
Return Loss		Min. 12 dB		38.4 dB	
Ripple		< 1 dB		dB	
Impedance		In / Out : 50 Ω		In / Out : 50 Ω	

(4) Torque for Tuning Screw	> 100gf · cm
(5) Temperature Condition:	
Operating Temperature	0°C ~ +60°C
Storage Temperature	-20°C ~ +70°C
(6) Input Power	> 1Watt



Approval	Supervisor	Designer	Aperture size
C.Y. Chang	C.S. Chang	C.S. Chang	7H3S(4*7.5) 7H046RB4

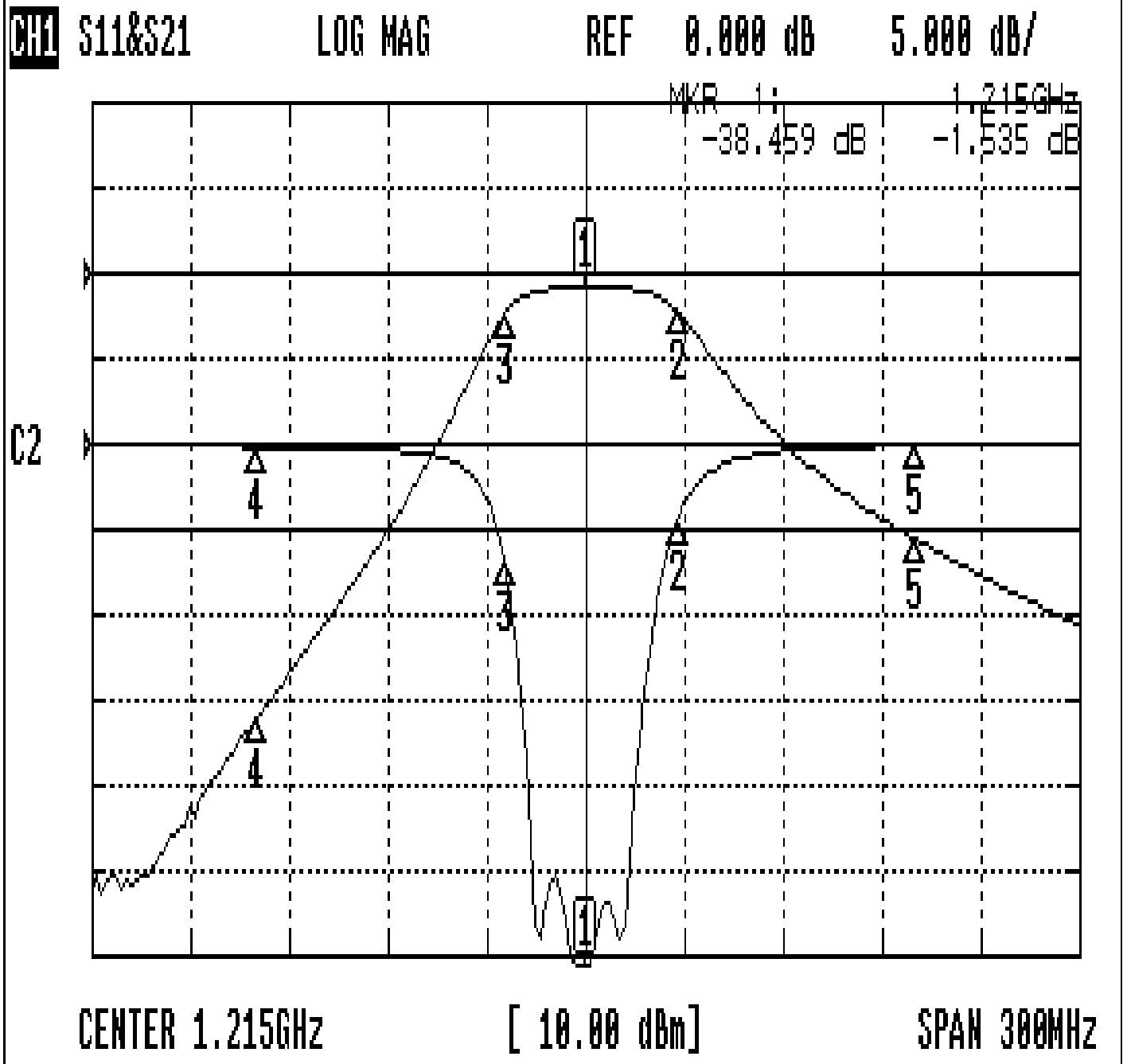
TEMWELL CORPORATION

TEMWELL

Form10-7H3B Vision D

Performance-TT67794B-1215M

20507162DC



CH1 MARKER LIST

1:	1.215 000GHz	-38.459 dB	-1.535 dB
2:	1.243 000GHz	-4.432 dB	-4.559 dB
3:	1.190 500GHz	-6.942 dB	-4.582 dB
4:	1.115 000GHz	-0.136 dB	-51.997 dB
5:	1.315 000GHz	-0.069 dB	-31.082 dB