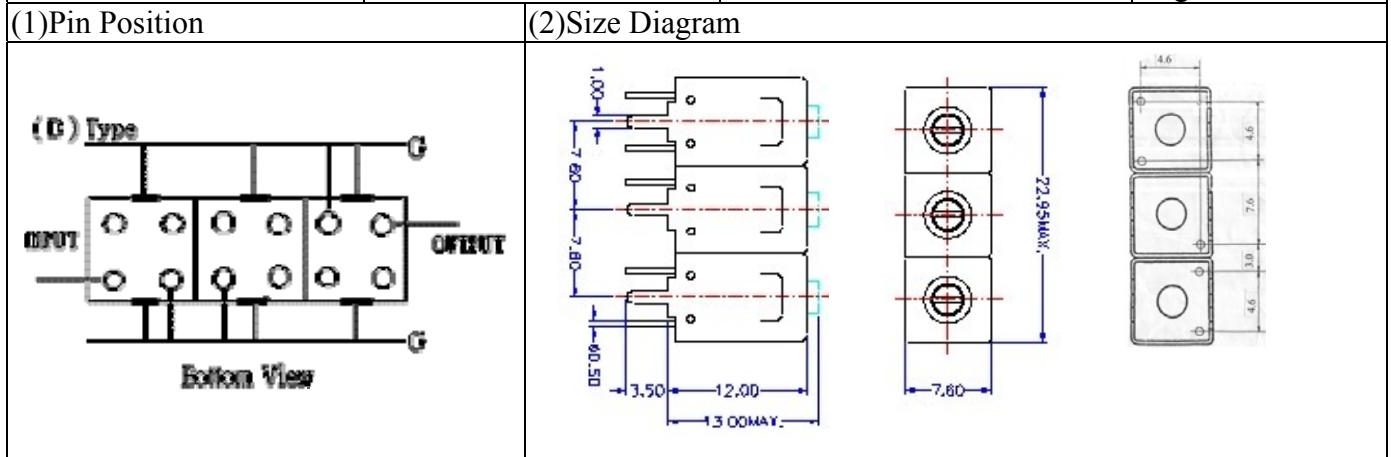


VHF UHF Helical Filter Specification Sheet

Customer Name		Temwell's Part No.	TT67798B-815M
Approval No. /dated	20507166DC	Acceptable Specify Fo Range	801~830MHz
Work Instruction No.	20507166DC	Date	Aug.12.2005



(3) Electric Character

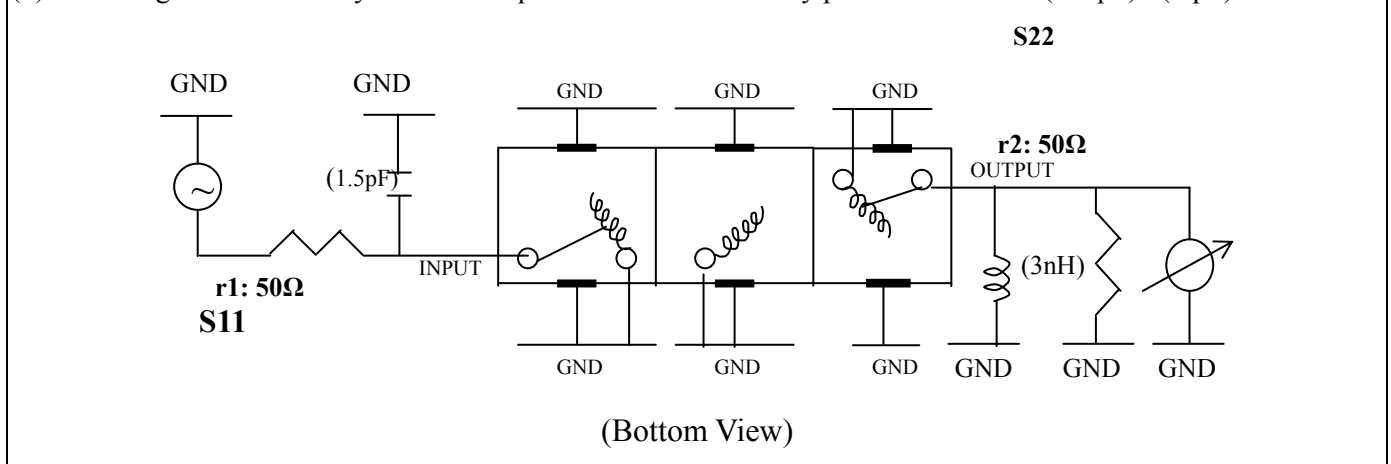
Item	Specify	Performance
Center Freq.(Fo) +/- 0.5 %	815 MHz	815 MHz
Tunable Range	815±5 MHz	815±5 MHz
Insertion Loss	Typ. 2.0 dB	1.15 dB
-3 dB Bandwidth	Typ. 50 MHz	58.3 MHz
Sensitivity (Attenuation)	Fo - 120 MHz	Typ. 41 dBc
	Fo + 120 MHz	Typ. 21 dBc
	Fo - ()MHz	Typ. dBc
	Fo + ()MHz	Typ. dBc
Return Loss	Min. 12 dB	17.5 dB
Ripple	< 1 dB	dB
Impedance	In / Out : 50 Ω	In / Out : 50 Ω
(4) Torque for Tuning Screw	> 100gf · cm	

(5) Temperature Condition:

Operating Temperature	0°C ~ +60°C
Storage Temperature	-20°C ~ +70°C

(6) Input Power

(7) Measuring Circuit: ※Easy to match Impedance S11/S22 50Ω/by parallel with about(1.5 pF) / (3 pF).

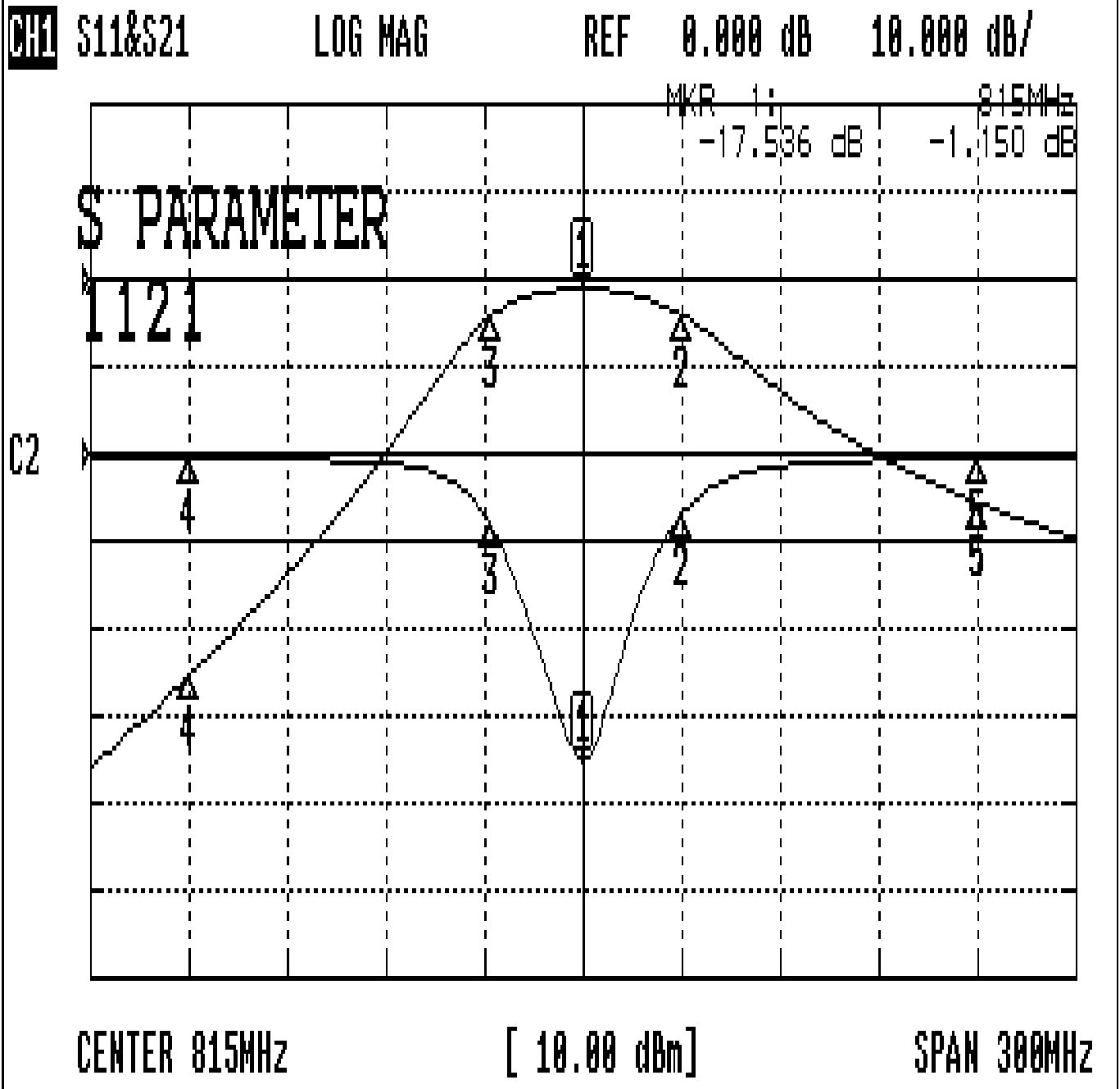


Approval	Supervisor	Designer	Aperture size
C.Y. Chang	C.S. Chang	W.W. Wang	7H3S(4*8.0)(8.02)F 7H046RB5.5

TEMWELL CORPORATION

Performance-TT67798B-815M

20507166DC



CH1 MARKER LIST

1:	815.000MHz	-17.536 dB	-1.150 dB
2:	845.000MHz	-3.483 dB	-4.115 dB
3:	786.750MHz	-3.996 dB	-4.265 dB
4:	695.000MHz	-0.266 dB	-45.394 dB
5:	935.000MHz	-0.293 dB	-25.571 dB