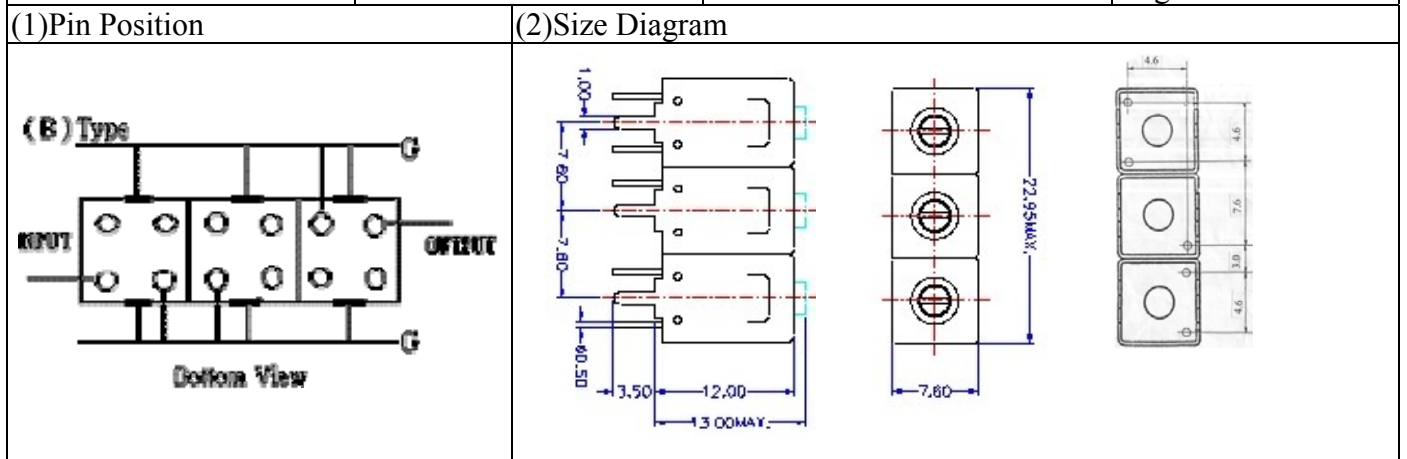


VHF UHF Helical Filter Specification Sheet

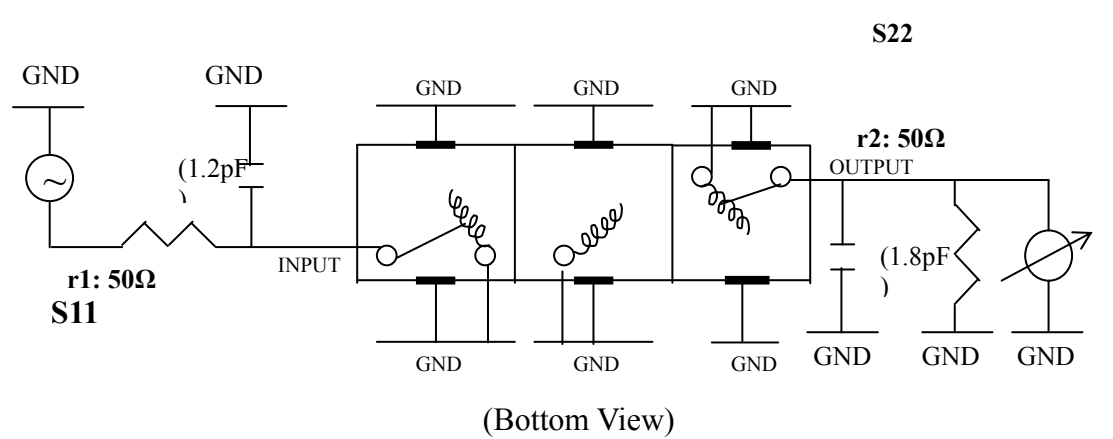
Customer Name		Temwell's Part No.	TT67799B-845M
Approval No. /dated	20507167DC	Acceptable Specify Fo Range	831~860MHz
Work Instruction No.	20507167DC	Date	Aug.12.2005



(3) Electric Character			
Item		Specify	Performance
Center Freq.(Fo) +/- 0.5 %		845 MHz	845 MHz
Tunable Range		845±5 MHz	845±5 MHz
Insertion Loss		Typ. 2.0 dB	1.45 dB
-1 dB Bandwidth		Typ. 50 MHz	58 MHz
-3 dB Bandwidth		Typ. 52 MHz	60 MHz
Sensitivity (Attenuation)	Fo - 120 MHz	Typ. 39 dBc	43 dBc
	Fo + 120 MHz	Typ. 22 dBc	27 dBc
	Fo - ()MHz	Typ. dBc	dBc
	Fo +()MHz	Typ. dBc	dBc
Return Loss		Min. 12 dB	14.5 dB
Ripple		< 1 dB	dB
Impedance		In / Out : 50 Ω	In / Out : 50 Ω
(4) Torque for Tuning Screw		> 100gf · cm	

(5) Temperature Condition:	
Operating Temperature	0°C ~ +60°C
Storage Temperature	-20°C ~ +70°C
(6) Input Power	> 1Watt

(7) Measuring Circuit: ※Easy to match Impedance S11/S22 50Ω/by parallel with about(1.2 pF) / (1.8 pF).

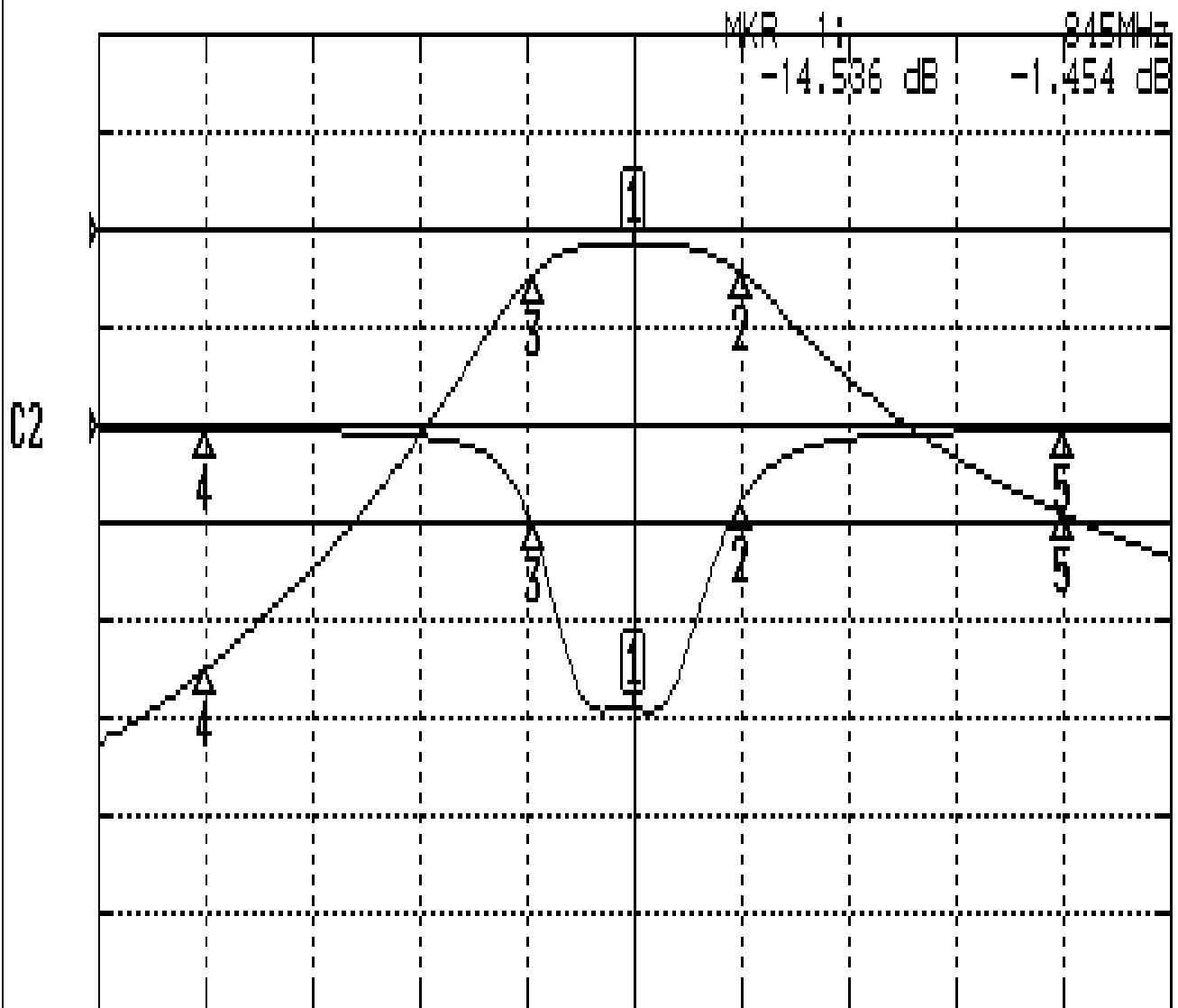


Approval	Supervisor	Designer	Aperture size
C.Y. Chang	C.S. Chang	W.W. Wang	7H3(4*6.5)(6.58)F 7H046RB5.5

Performance-TT67799B-845M

20507167DC

CH1 S11&S21 LOG MAG REF 0.000 dB 10.000 dB/



CENTER 845MHz

[10.00 dBm]

SPAN 300MHz

CH1 MARKER LIST

1:	845.000MHz	-14.536 dB	-1.454 dB
2:	875.000MHz	-3.861 dB	-4.445 dB
3:	816.750MHz	-5.193 dB	-4.407 dB
4:	725.000MHz	-0.290 dB	-44.900 dB
5:	965.000MHz	-0.324 dB	-29.158 dB