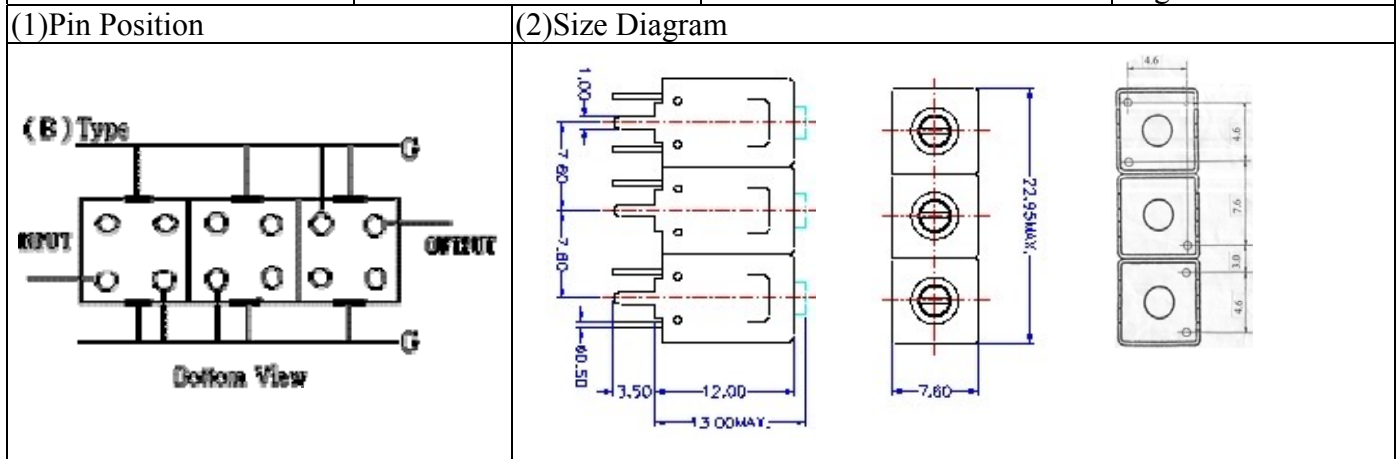
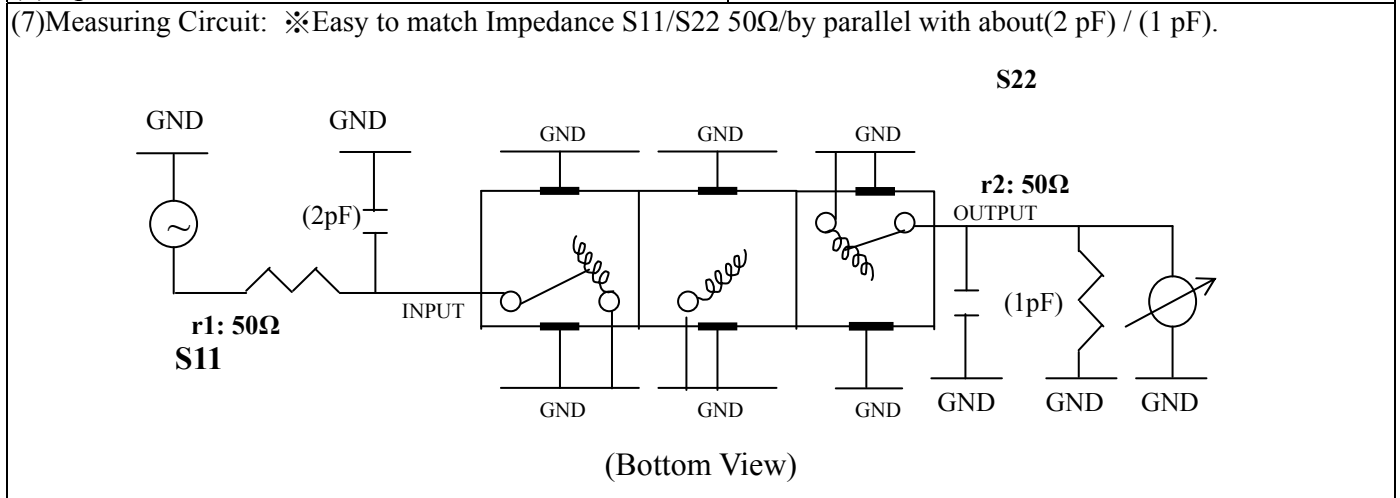


# VHF UHF Helical Filter Specification Sheet

Customer Name		Temwell's Part No.	TT67801B-1215M
Approval No. /dated	20507169DC	Acceptable Specify Fo Range	1181~1250MHz
Work Instruction No.	20507169DC	Date	Aug.29.2005



(3) Electric Character			
Item	Specify		Performance
Center Freq.(Fo) +/- 0.5 %	1215	MHz	1215 MHz
Tunable Range	1215±5	MHz	1215±5 MHz
Insertion Loss	Typ. 3.0	dB	1.88 dB
-3 dB Bandwidth	Typ. 50	MHz	62.2 MHz
Sensitivity (Attenuation)	Fo - 100 MHz	Typ. 30 dBc	33 dBc
	Fo + 100 MHz	Typ. 20 dBc	23 dBc
	Fo - ( )MHz	Typ. dBc	dBc
	Fo +( )MHz	Typ. dBc	dBc
Return Loss	Min. 12	dB	15.1 dB
Ripple	< 1	dB	dB
Impedance	In / Out : 50 Ω		In / Out : 50 Ω
(4) Torque for Tuning Screw	> 100gf · cm		
(5) Temperature Condition:			
Operating Temperature	0°C ~ +60°C		
Storage Temperature	-20°C ~ +70°C		
(6) Input Power	> 1Watt		

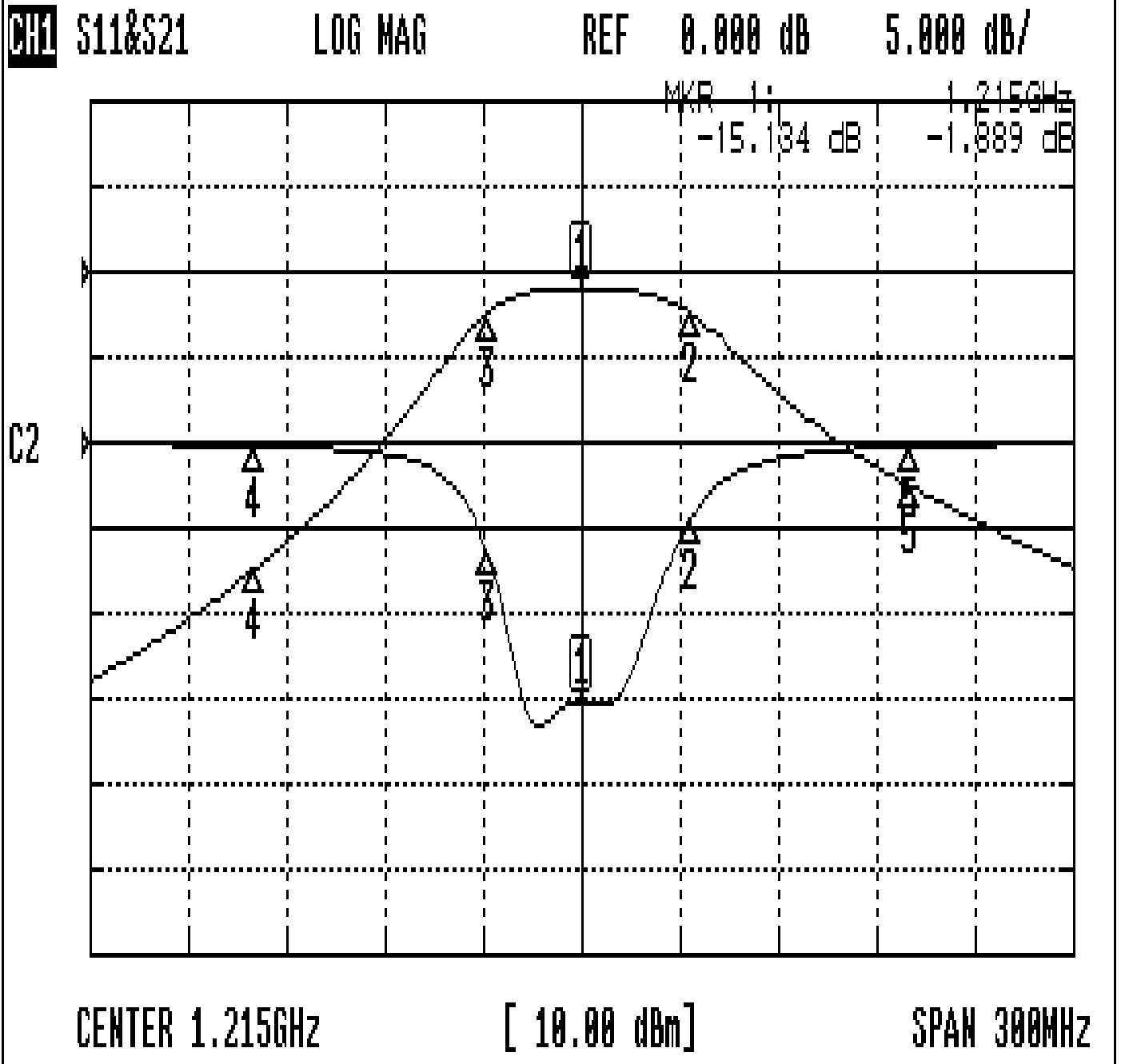


Approval	Supervisor	Designer	Aperture size
C.Y. Chang	C.S. Chang	C.S. Chang	7H3(4*4.65) 7H046LB5.5

TEMWELL CORPORATION

# Performance-TT67801B-1215M

## 20507169DC



### CH1 MARKER LIST

1:	1.215 000GHz	-15.134 dB	-1.889 dB
2:	1.248 250GHz	-4.493 dB	-4.864 dB
3:	1.186 000GHz	-6.226 dB	-4.885 dB
4:	1.115 000GHz	-0.220 dB	-34.847 dB
5:	1.315 000GHz	-0.239 dB	-25.020 dB