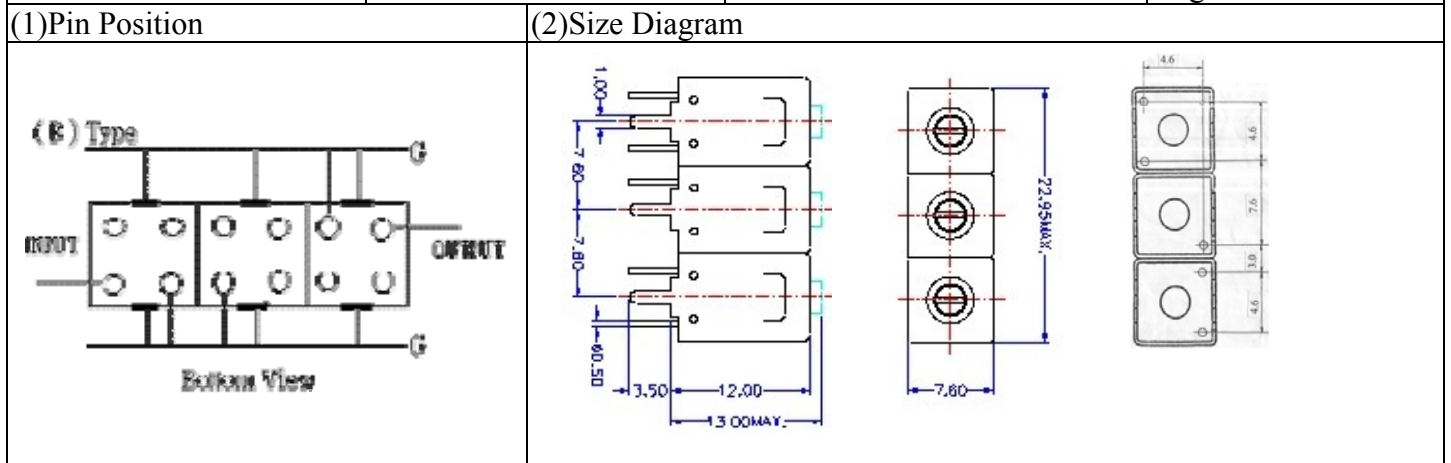


VHF UHF Helical Filter Specification Sheet

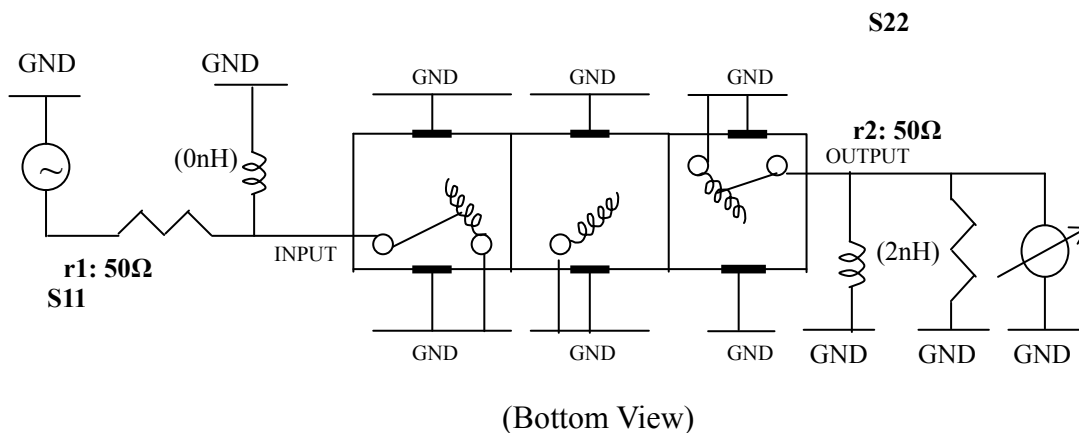
Customer Name		Temwell's Part No.	TT67806B-940M
Approval No. /dated	20507174DC	Acceptable Specify Fo Range	931~950MHz
Work Instruction No.	20507174DC	Date	Aug.23.2005



(3) Electric Character			
Item	Specify		Performance
Center Freq.(Fo) +/- 0.5 %	940	MHz	940 MHz
Tunable Range	940±5	MHz	940±5 MHz
Insertion Loss	Typ. 2.5	dB	1.46 dB
-3 dB Bandwidth	Typ. 60	MHz	69.7 MHz
Sensitivity (Attenuation)	Fo - 100 MHz	Typ. 30 dBc	33 dBc
	Fo + 100 MHz	Typ. 18 dBc	21 dBc
	Fo - ()MHz	Typ. dBc	dBc
	Fo +()MHz	Typ. dBc	dBc
Return Loss	Min. 12	dB	25.4 dB
Ripple	< 1	dB	dB
Impedance	In / Out : 50 Ω		In / Out : 50 Ω
(4) Torque for Tuning Screw	> 100gf · cm		

(5) Temperature Condition:	
Operating Temperature	0°C ~ +60°C
Storage Temperature	-20°C ~ +70°C
(6) Input Power	> 1Watt

(7) Measuring Circuit: ※Easy to match Impedance S11/S22 50Ω by parallel with about(0 nH) / (2 nH).



Approval	Supervisor	Designer	Aperture size
C.Y. Chang	C.S. Chang	C.S. Chang	7H3S(4*5.5) 7H046RB5.5

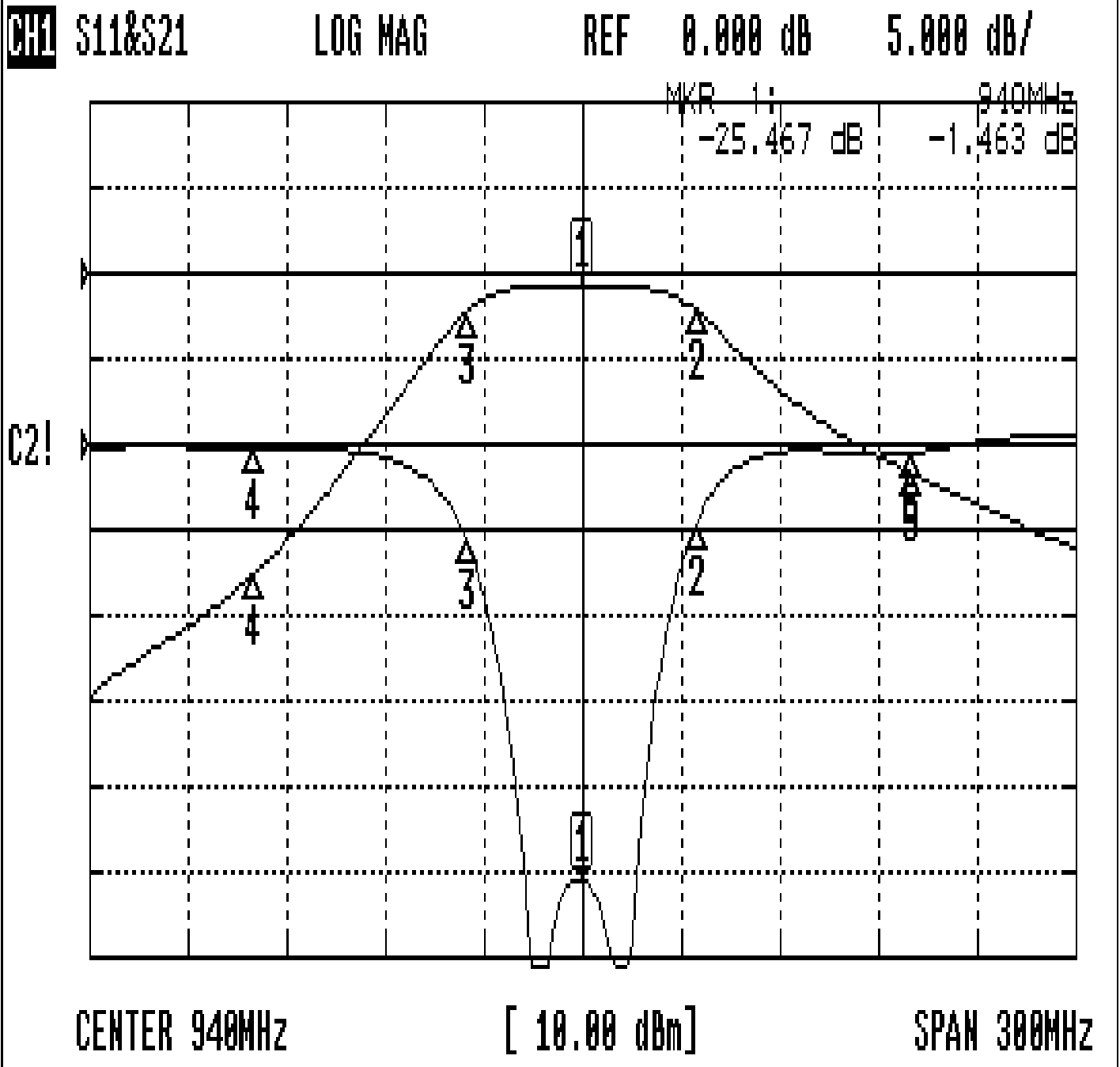
TEMWELL CORPORATION

TEMWELL

Form10-7H3B Vision D

Performance-TT67806B-940M

20507174DC



CH1 MARKER LIST

1:	940.000MHz	-25.475 dB	-1.463 dB
2:	974.750MHz	-4.653 dB	-4.439 dB
3:	905.000MHz	-5.634 dB	-4.465 dB
4:	840.000MHz	-0.384 dB	-35.154 dB
5:	1.040 000GHz	-0.533 dB	-23.392 dB