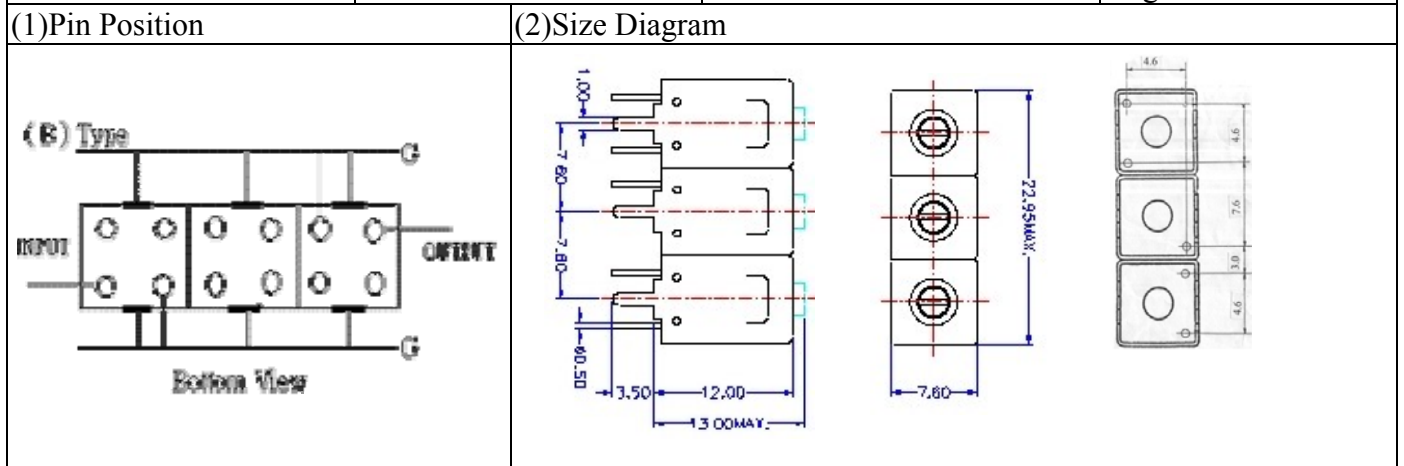
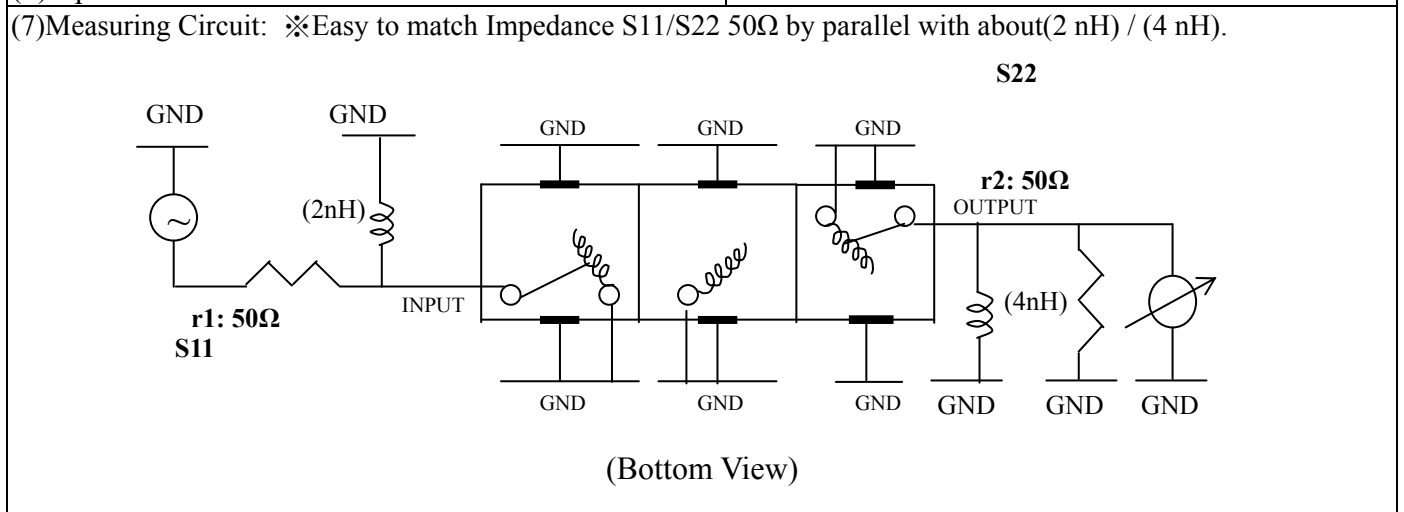


# VHF UHF Helical Filter Specification Sheet

Customer Name		Temwell's Part No.	TT67807B-963M
Approval No. /dated	20507175DC	Acceptable Specify Fo Range	951~975MHz
Work Instruction No.	20507175DC	Date	Aug.23.2005



(3) Electric Character					
Item		Specify		Performance	
Center Freq.(Fo) +/- 0.5 %		963 MHz		963 MHz	
Tunable Range		963±5 MHz		963±5 MHz	
Insertion Loss		Typ. 2.0 dB		1.23 dB	
-3 dB Bandwidth		Typ. 60 MHz		68.7 MHz	
Sensitivity (Attenuation)	Fo - 100 MHz	Typ. 28 dBc		31 dBc	
	Fo + 100 MHz	Typ. 19 dBc		22 dBc	
	Fo - ( )MHz	Typ. dBc		dBc	
	Fo +( )MHz	Typ. dBc		dBc	
Return Loss		Min. 12 dB		19 dB	
Ripple		< 1 dB		dB	
Impedance		In / Out : 50 Ω		In / Out : 50 Ω	
(4) Torque for Tuning Screw		> 100gf · cm			
(5) Temperature Condition:					
Operating Temperature		0°C ~ +60°C			
Storage Temperature		-20°C ~ +70°C			
(6) Input Power		> 1Watt			

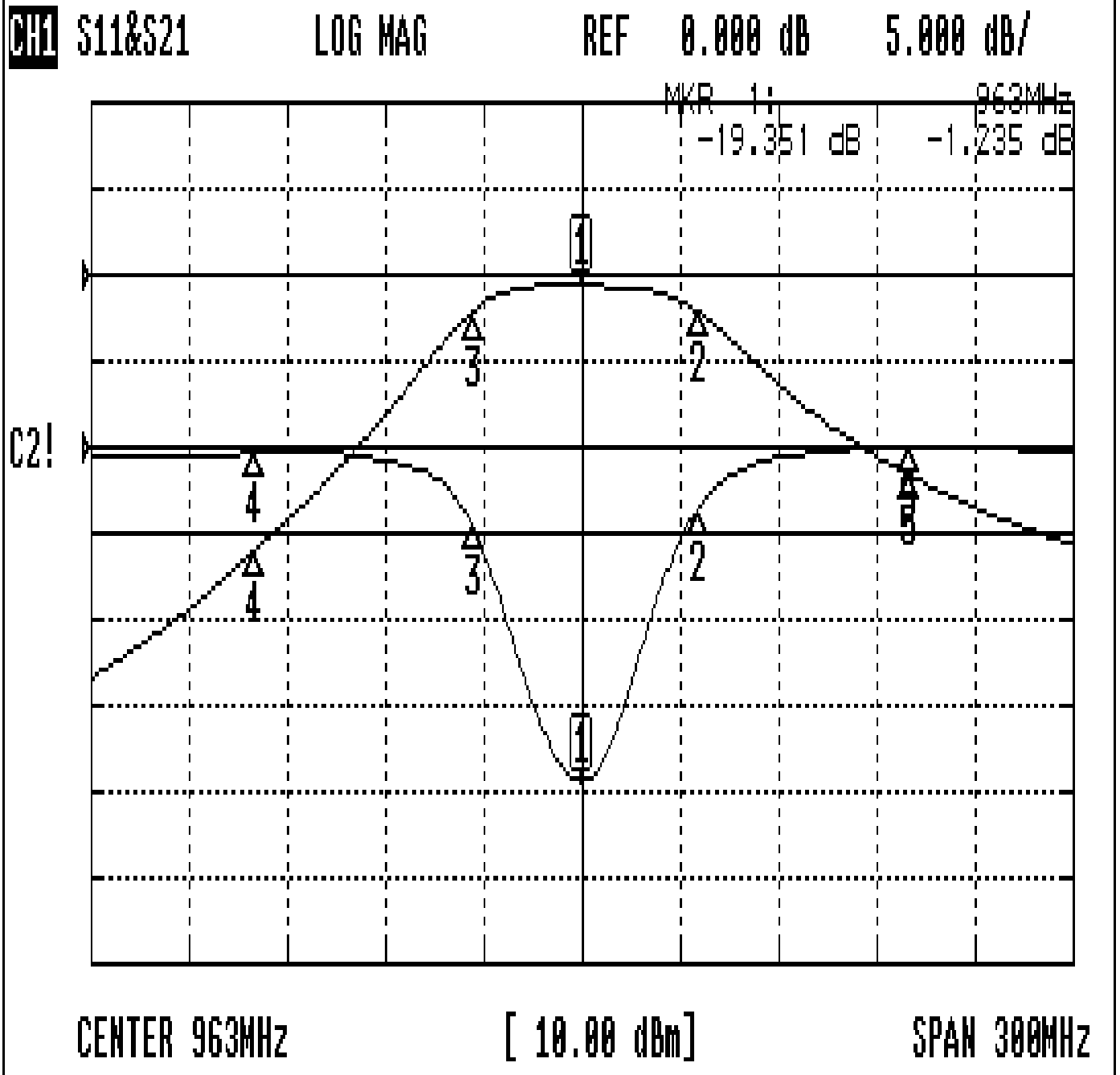


Approval	Supervisor	Designer	Aperture size
C.Y. Chang	C.S. Chang	C.S. Chang	7H3S(4*5.5) 7H046LB5.5

TEMWELL CORPORATION

# Performance-TT67807B-963M

## 20507175DC



### CH1 MARKER LIST

1:	963.000MHz	-19.351 dB	-1.235 dB
2:	998.250MHz	-3.640 dB	-4.265 dB
3:	929.500MHz	-4.450 dB	-4.243 dB
4:	863.000MHz	-0.329 dB	-32.181 dB
5:	1.063 000GHz	0.038 dB	-23.190 dB