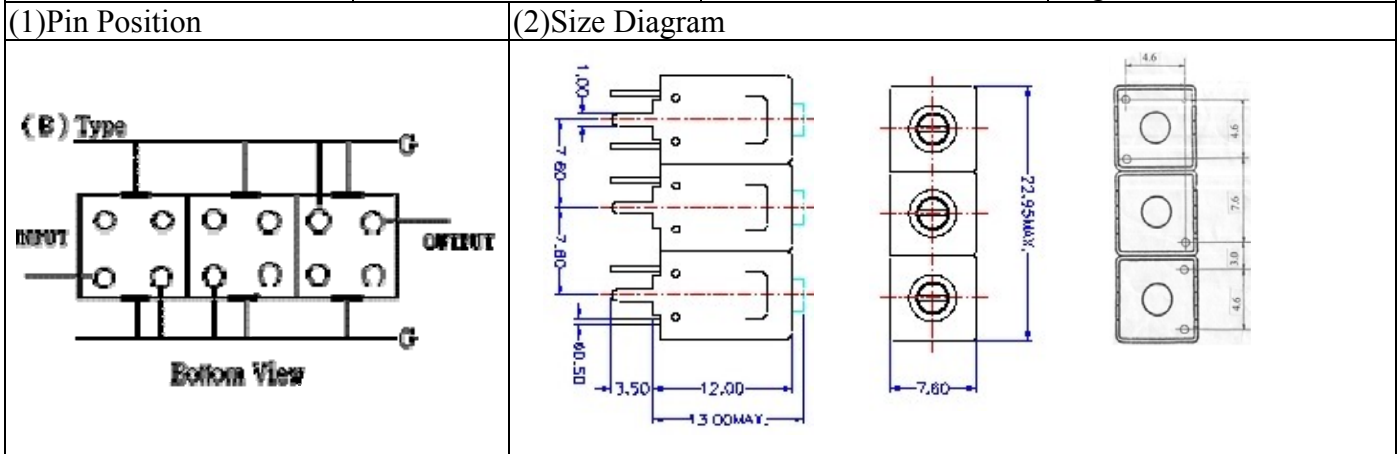


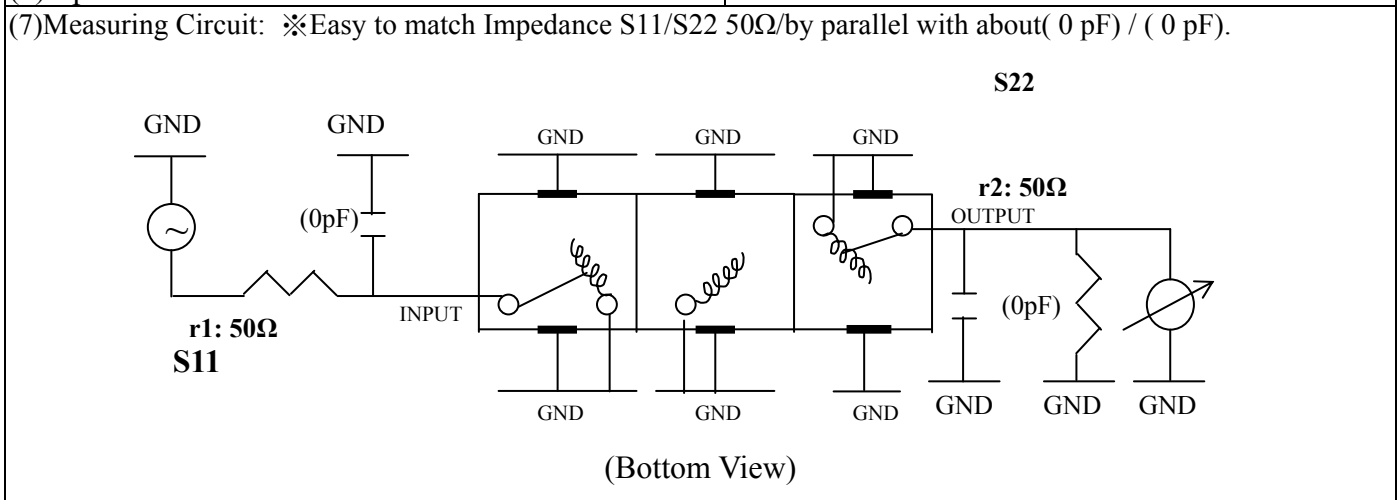
# VHF UHF Helical Filter Specification Sheet

Customer Name		Temwell's Part No.	TT67811B-485M-40M
Approval No. /dated	20507179APR	Temwell's print name	67811B 485M
Work Instruction No.	20507179DC	Date	Aug.12.2005



(3) Electric Character			
Item		Specify	Performance
Center Freq.(Fo) +/- 0.5 %		485 MHz	485 MHz
Tunable Range		485±3 MHz	485±3 MHz
Insertion Loss		Typ. 2.0 dB	0.90 dB
-3 dB Bandwidth		Typ. 40 MHz	45.3 MHz
Sensitivity (Attenuation)	Fo - 100 MHz	Typ. 43 dBc	46 dBc
	Fo + 100 MHz	Typ. 34 dBc	37 dBc
	Fo - ( )MHz	Typ. dBc	dBc
	Fo +( )MHz	Typ. dBc	dBc
Return Loss		Min. 12 dB	35.3 dB
Ripple		< 1 dB	dB
Impedance		In / Out : 50 Ω	In / Out : 50 Ω

(4) Torque for Tuning Screw	> 100gf · cm
(5) Temperature Condition:	
Operating Temperature	0°C ~ +60°C
Storage Temperature	-20°C ~ +70°C
(6) Input Power	> 1Watt

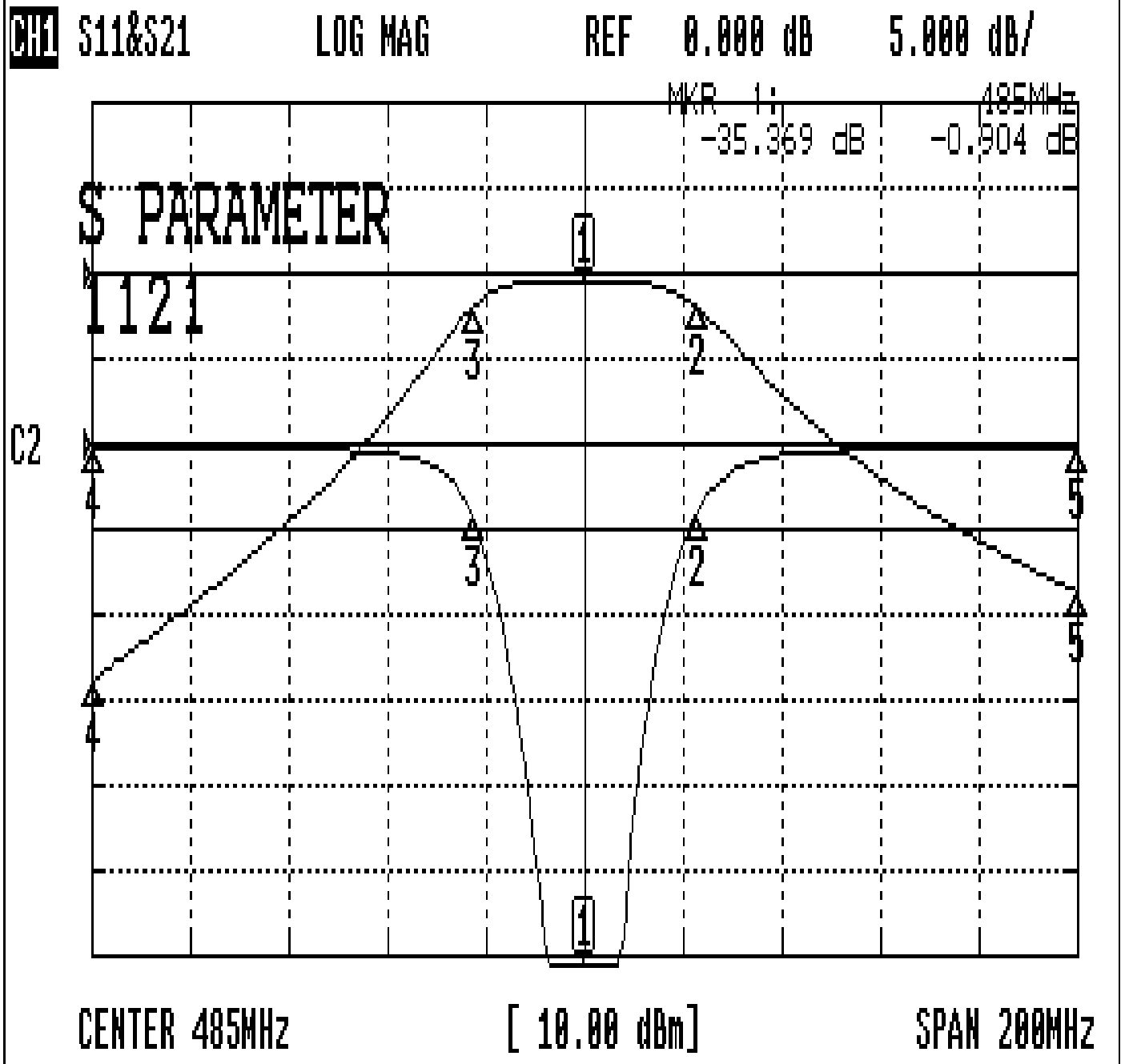


Approval	Supervisor	Designer	Aperture size
C.Y. Chang	C.S. Chang	W.W. Wang	7H3S(4*6.5)(6.57)F 7H046LB5

TEMWELL CORPORATION

# Performance-TT67811B-485M-40M

## 20507179DC



### CH1 MARKER LIST

1:	485.000MHz	-35.369 dB	-0.904 dB
2:	507.833MHz	-4.038 dB	-3.943 dB
3:	462.500MHz	-4.358 dB	-3.938 dB
4:	385.000MHz	-0.198 dB	-47.720 dB
5:	585.000MHz	-0.244 dB	-37.296 dB