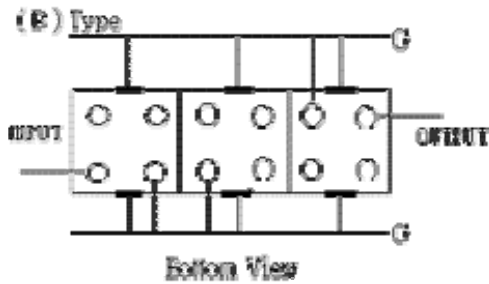


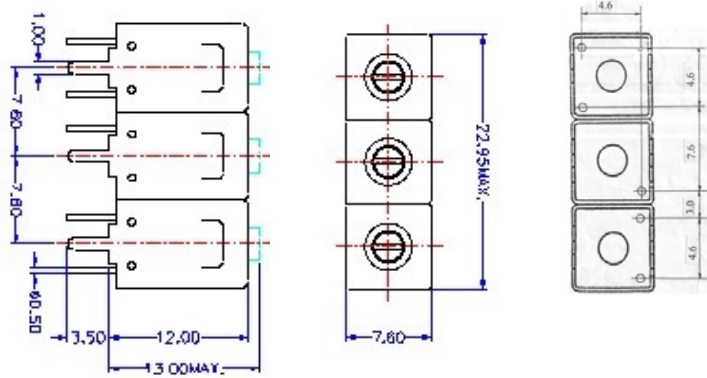
# VHF UHF Helical Filter Specification Sheet

Customer Name		Temwell's Part No.	TT67824B-70M
Approval No. /dated	20508072APR	Acceptable Specify Fo. Range	68~75MHz
Work Instruction No.	20508072DC	Date	Sep.03.2005

(1) Pin Position



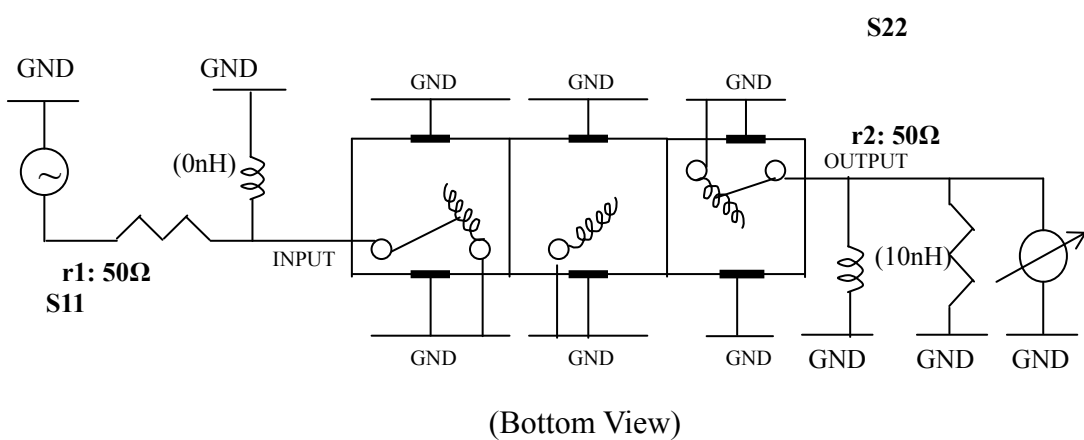
(2) Size Diagram



(3) Electric Character

Item	Specify	Performance	
Center Freq.(Fo) +/- 0.5 %	70 MHz	70 MHz	
Tunable Range	70±2 MHz	70±2 MHz	
Insertion Loss	Typ. 2.5 dB	1.59 dB	
-3 dB Bandwidth	Typ. 14 MHz	15.6 MHz	
Sensitivity (Attenuation)	Fo - 20 MHz	Typ. 32 dBc	35 dBc
	Fo + 20 MHz	Typ. 25 dBc	28 dBc
	Fo - ( )MHz	Typ. dBc	dBc
	Fo + ( )MHz	Typ. dBc	dBc
Return Loss	Min. 12 dB	25 dB	
Ripple	< 1 dB	dB	
Impedance	In / Out : 50 Ω	In / Out : 50 Ω	
(4) Torque for Tuning Screw	> 100gf · cm		
(5) Temperature Condition:			
Operating Temperature	0°C ~ +60°C		
Storage Temperature	-20°C ~ +70°C		
(6) Input Power	> 1Watt		

(7) Measuring Circuit: ※Easy to match Impedance S11/S22 50Ω by parallel with about(0 nH) / (10 nH).

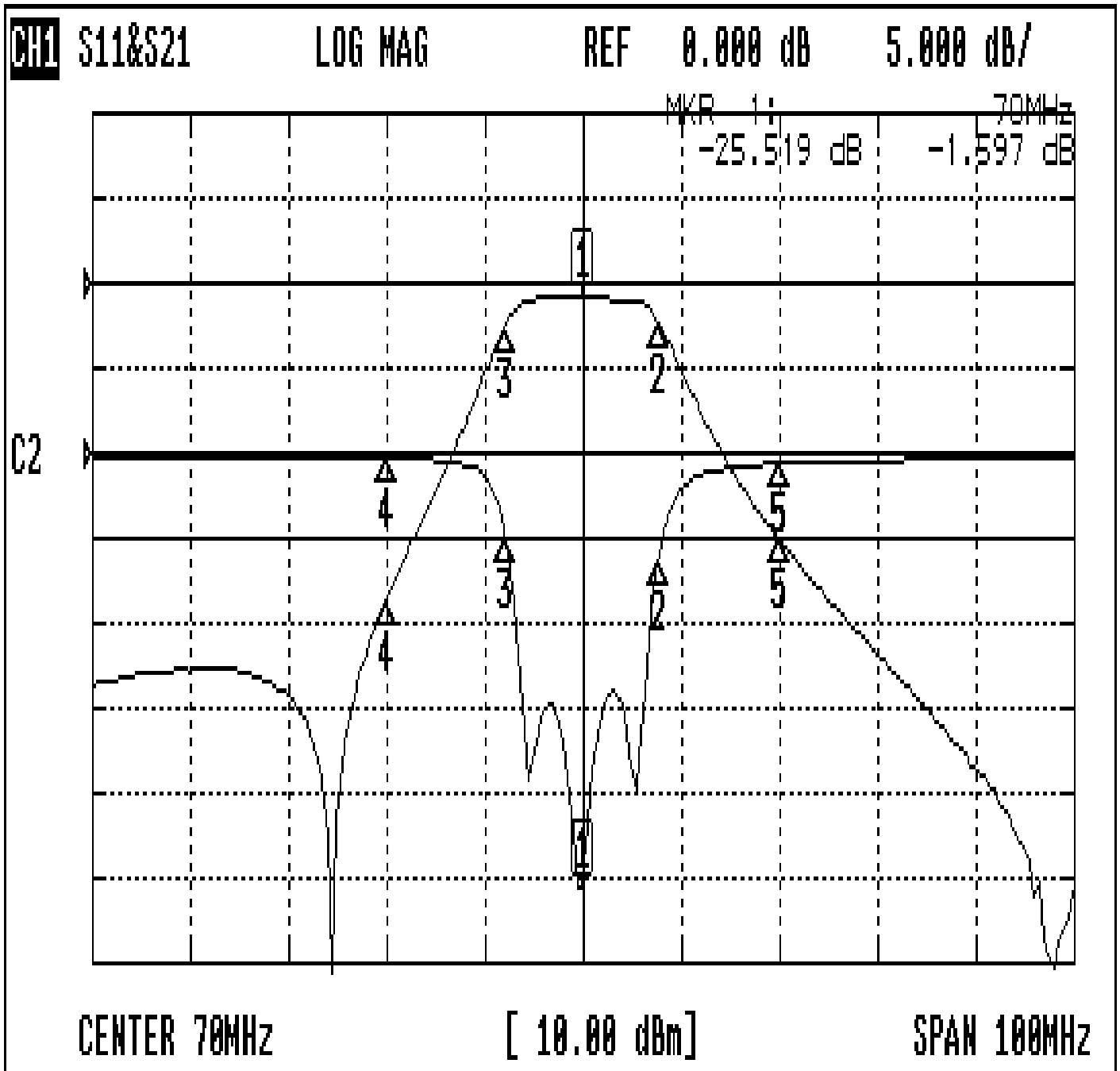


Approval	Supervisor	Designer	Aperture size
C.Y. Chang	C.S. Chang	C.S. Chang	7H3S(4*8.0) 7H00LB6

TEMWELL CORPORATION

# Performance-TT67824B-70M

## 20508072DC



### CH1 MARKER LIST

1:	70.000MHz	-25.519 dB	-1.597 dB
2:	77.750MHz	-6.172 dB	-4.607 dB
3:	62.166MHz	-4.986 dB	-4.676 dB
4:	50.000MHz	-0.309 dB	-37.204 dB
5:	90.000MHz	-0.598 dB	-30.132 dB