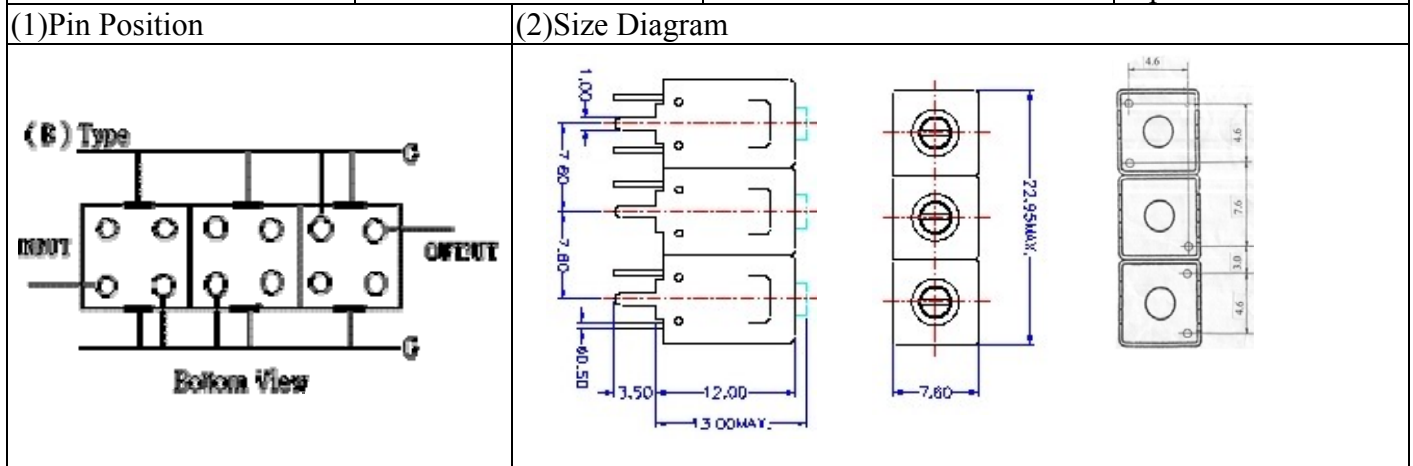


VHF UHF Helical Filter Specification Sheet

Customer Name		Temwell's Part No.	TT67825B-585M
Approval No. /dated	20508073DC	Acceptable Specify Fo Range	556~595MHz
Work Instruction No.	20508073DC	Date	Sep.06.2005



(3) Electric Character

Item	Specify	Performance
Center Freq.(Fo) +/- 0.5 %	585 MHz	585 MHz
Tunable Range	585±3 MHz	585±3 MHz
Insertion Loss	Typ. 2.0 dB	1.19 dB
-3 dB Bandwidth	Typ. 40 MHz	49.2 MHz
Sensitivity (Attenuation)	Fo - 100 MHz	Typ. 44 dBc
	Fo + 100 MHz	Typ. 27 dBc
	Fo - ()MHz	Typ. dBc
	Fo + ()MHz	Typ. dBc
Return Loss	Min. 12 dB	16 dB
Ripple	< 1 dB	dB
Impedance	In / Out : 50 Ω	In / Out : 50 Ω

(4) Torque for Tuning Screw

(4) Torque for Tuning Screw	> 100gf · cm
-----------------------------	--------------

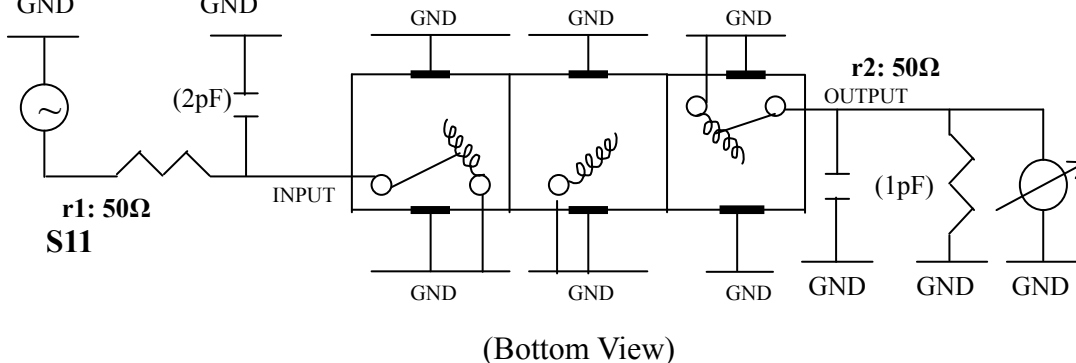
(5) Temperature Condition:

Operating Temperature	0°C ~ +60°C
Storage Temperature	-20°C ~ +70°C

(6) Input Power

(6) Input Power	> 1 Watt
-----------------	----------

(7) Measuring Circuit: ※Easy to match Impedance S11/S22 50Ω/by parallel with about(2 pF) / (1 pF).



Approval	Supervisor	Designer	Aperture size
C.Y. Chang	C.S. Chang	C.S. Chang	7H3S(4*5.5) 7H046Rb5.5

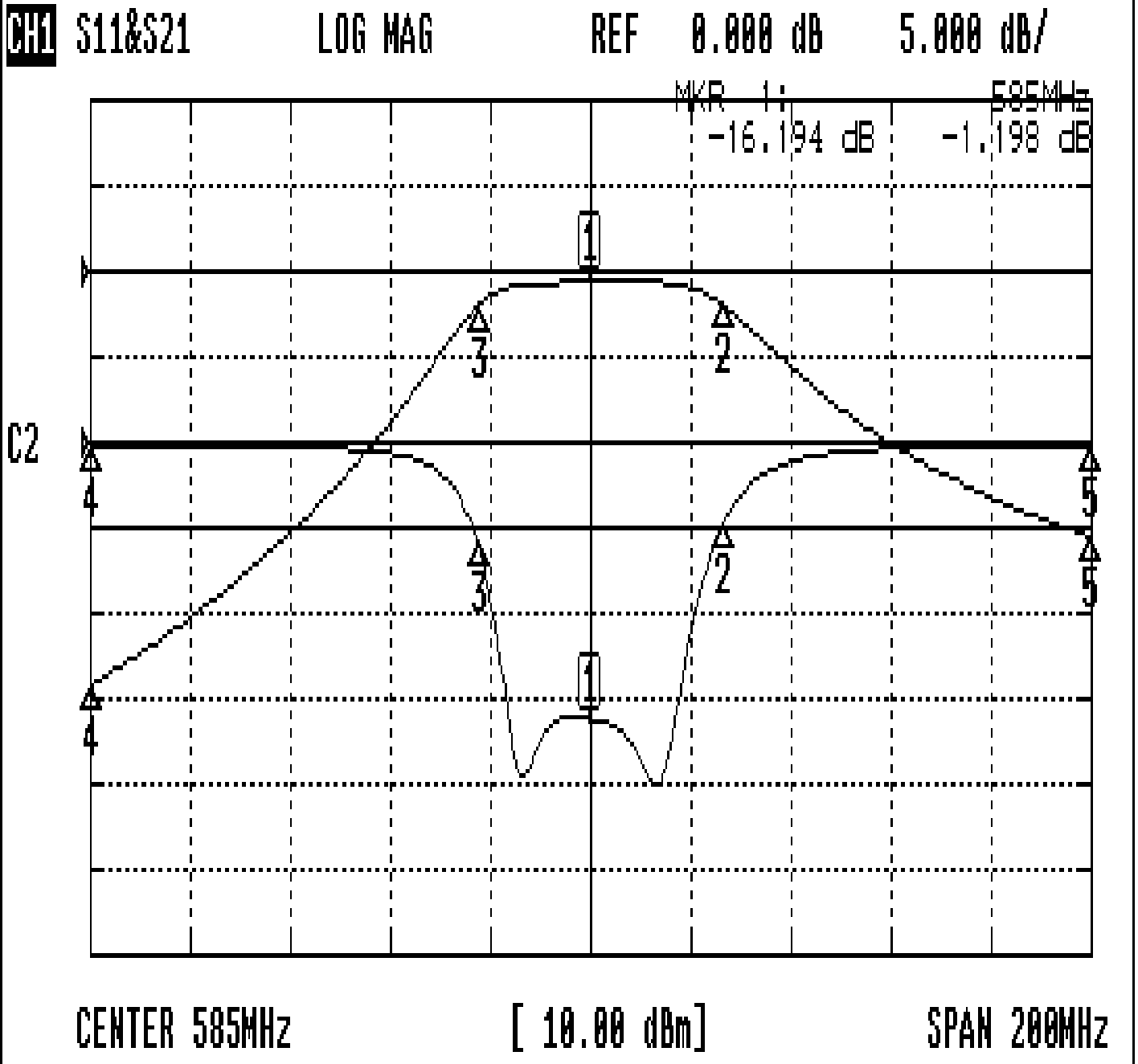
TEMWELL CORPORATION

TEMWELL

Form10-7H3B Vision D

Performance-TT67825B-585M

20508073DC



CH1 MARKER LIST

1:	585.000MHz	-16.194 dB	-1.198 dB
2:	611.833MHz	-4.657 dB	-4.832 dB
3:	562.666MHz	-6.071 dB	-4.000 dB
4:	485.000MHz	-0.150 dB	-48.582 dB
5:	685.000MHz	-0.151 dB	-31.127 dB