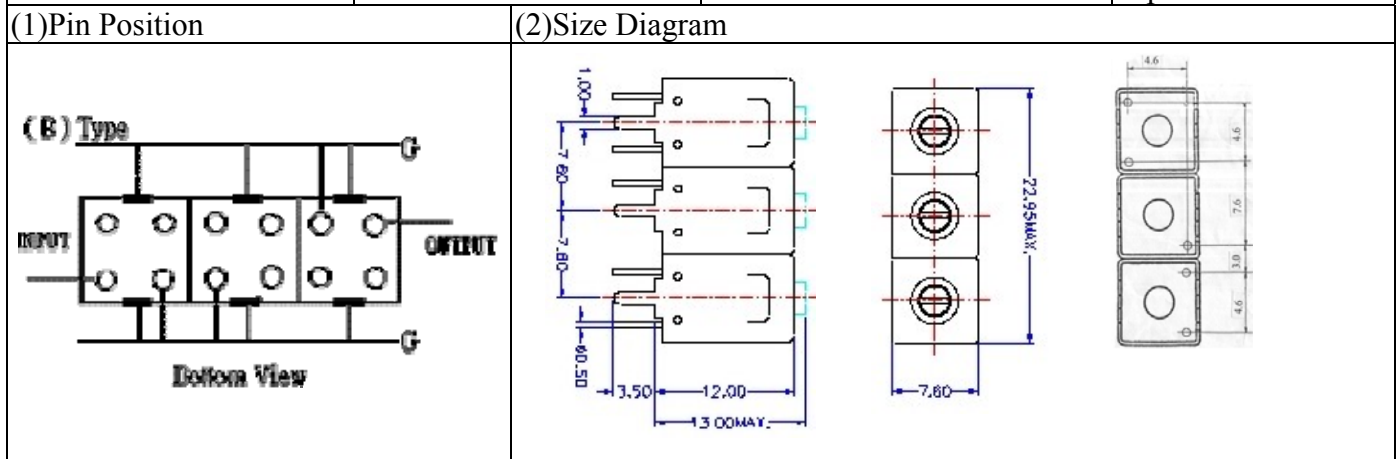


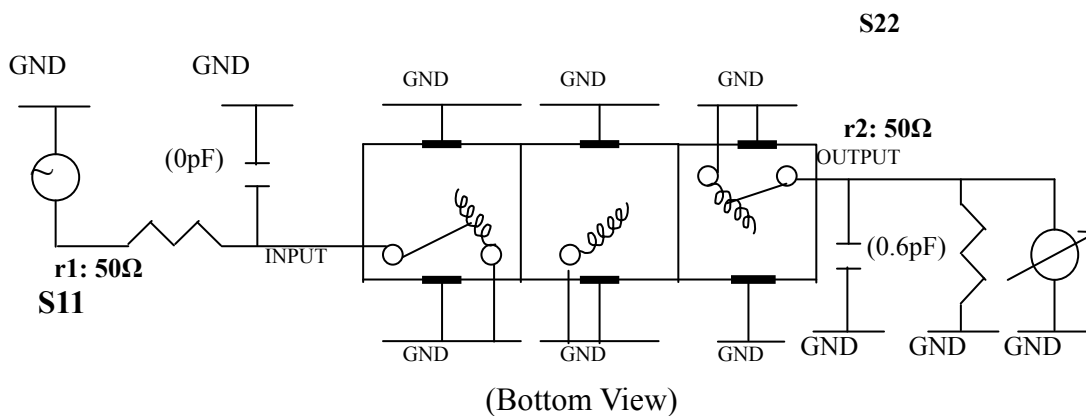
VHF UHF Helical Filter Specification Sheet

Customer Name		Temwell's Part No.	TT67828B-630M
Approval No. /dated	20508076DC	Acceptable Specify Fo Range	596~640MHz
Work Instruction No.	20508076DC	Date	Sep.12.2005



(3) Electric Character			
Item		Specify	Performance
Center Freq.(Fo) +/- 0.5 %		630 MHz	630 MHz
Tunable Range		630±3 MHz	630±3 MHz
Insertion Loss		Typ. 2.0 dB	1.11 dB
-3 dB Bandwidth		Typ. 50 MHz	56.2 MHz
Sensitivity (Attenuation)	Fo - 120 MHz	Typ. 47 dBc	50 dBc
	Fo + 120 MHz	Typ. 30 dBc	33 dBc
	Fo - ()MHz	Typ. dBc	dBc
	Fo + ()MHz	Typ. dBc	dBc
Return Loss		Min. 12 dB	25.4 dB
Ripple		< 1 dB	dB
Impedance		In / Out : 50 Ω	In / Out : 50 Ω
(4) Torque for Tuning Screw		> 100gf · cm	
(5) Temperature Condition:			
Operating Temperature		0°C ~ +60°C	
Storage Temperature		-20°C ~ +70°C	
(6) Input Power		> 1Watt	

(7) Measuring Circuit: ※Easy to match Impedance S11/S22 50Ω/by parallel with about(0 pF) / (0.6 pF).

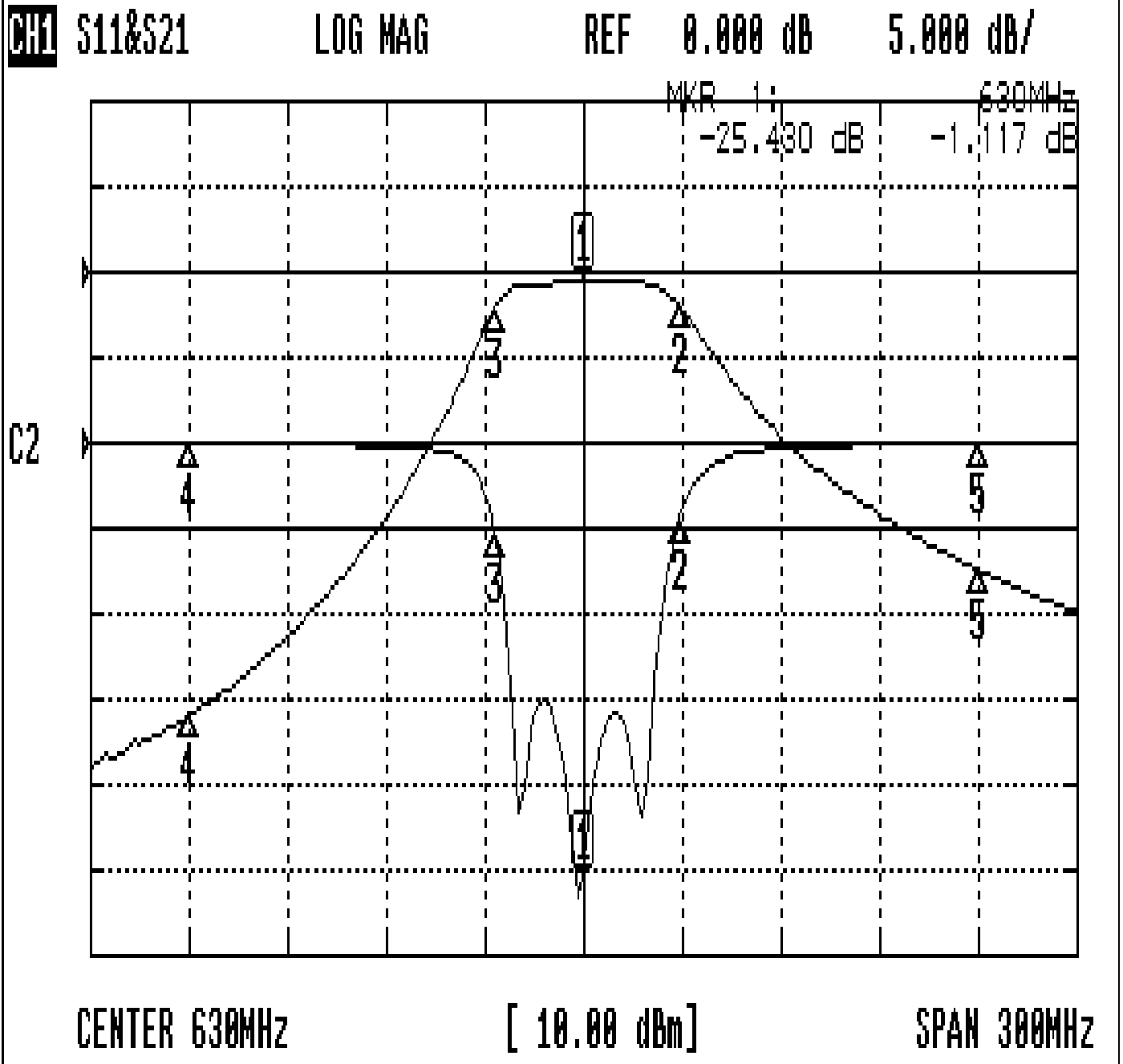


Approval	Supervisor	Designer	Aperture size
C.Y. Chang	C.S. Chang	W.W. Wang	7H3(4*5.5)(5.64)F 7H046RB5.5

TEMWELL CORPORATION

Performance-TT67828B-630M

20508076DC



CH1 MARKER LIST

1:	630.000MHz	-25.430 dB	-1.117 dB
2:	659.250MHz	-4.548 dB	-4.022 dB
3:	603.000MHz	-5.144 dB	-4.189 dB
4:	510.000MHz	-0.069 dB	-51.973 dB
5:	750.000MHz	-0.045 dB	-34.890 dB