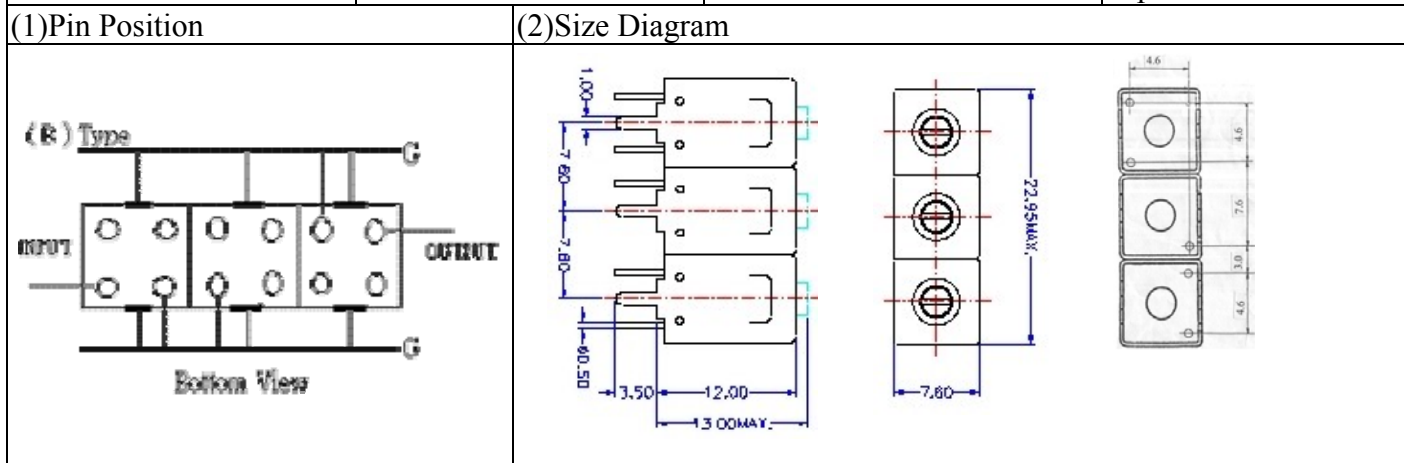


VHF UHF Helical Filter Specification Sheet

Customer Name		Temwell's Part No.	TT67829B-585M
Approval No. /dated	20508077DC	Acceptable Specify Fo Range	556~595MHz
Work Instruction No.	20508077DC	Date	Sep.06.2005



(3) Electric Character

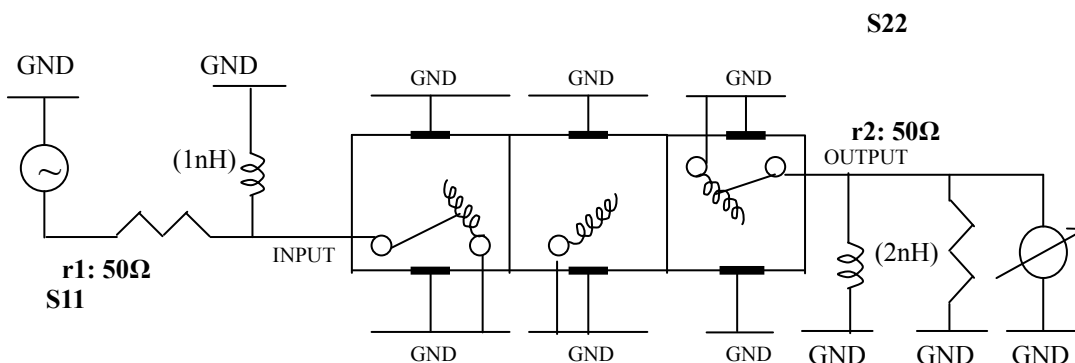
Item	Specify	Performance	
Center Freq.(Fo) +/- 0.5 %	585 MHz	585 MHz	
Tunable Range	585±3 MHz	585±3 MHz	
Insertion Loss	Typ. 2.0 dB	0.92 dB	
-3 dB Bandwidth	Typ. 60 MHz	70.5 MHz	
Sensitivity (Attenuation)	Fo - 100 MHz	Typ. 24 dBc	27 dBc
	Fo + 100 MHz	Typ. 17 dBc	20 dBc
	Fo - ()MHz	Typ. dBc	dBc
	Fo +()MHz	Typ. dBc	dBc
Return Loss	Min. 12 dB	23 dB	
Ripple	< 1 dB	dB	
Impedance	In / Out : 50 Ω	In / Out : 50 Ω	
(4) Torque for Tuning Screw	> 100gf · cm		

(5) Temperature Condition:

Operating Temperature	0°C ~ +60°C
Storage Temperature	-20°C ~ +70°C

(6) Input Power

(7) Measuring Circuit: ※Easy to match Impedance S11/S22 50Ω by parallel with about(1nH) / (2 nH).



(Bottom View)

Approval	Supervisor	Designer	Aperture size
C.Y. Chang	C.S. Chang	C.S. Chang	7H3S(4*8.0) 7H046LB5.5

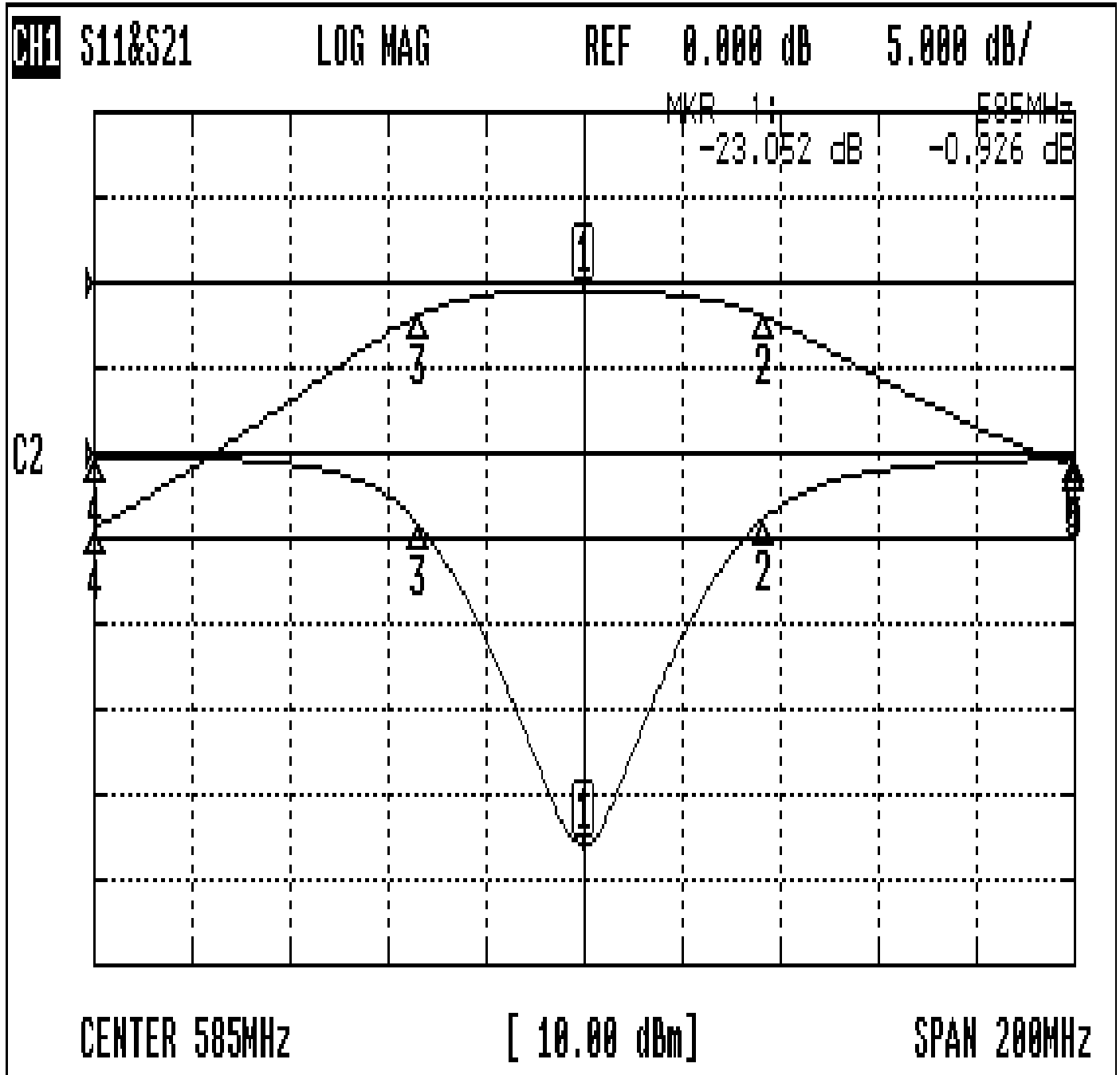
TEMWELL CORPORATION

TEMWELL

Form10-7H3B Vision D

Performance-TT67829B-585M

20508077DC



CH1 MARKER LIST

1:	585.000MHz	-23.052 dB	-0.926 dB
2:	621.500MHz	-3.986 dB	-3.954 dB
3:	551.000MHz	-4.086 dB	-3.936 dB
4:	485.000MHz	-0.206 dB	-28.799 dB
5:	685.000MHz	-0.337 dB	-21.661 dB