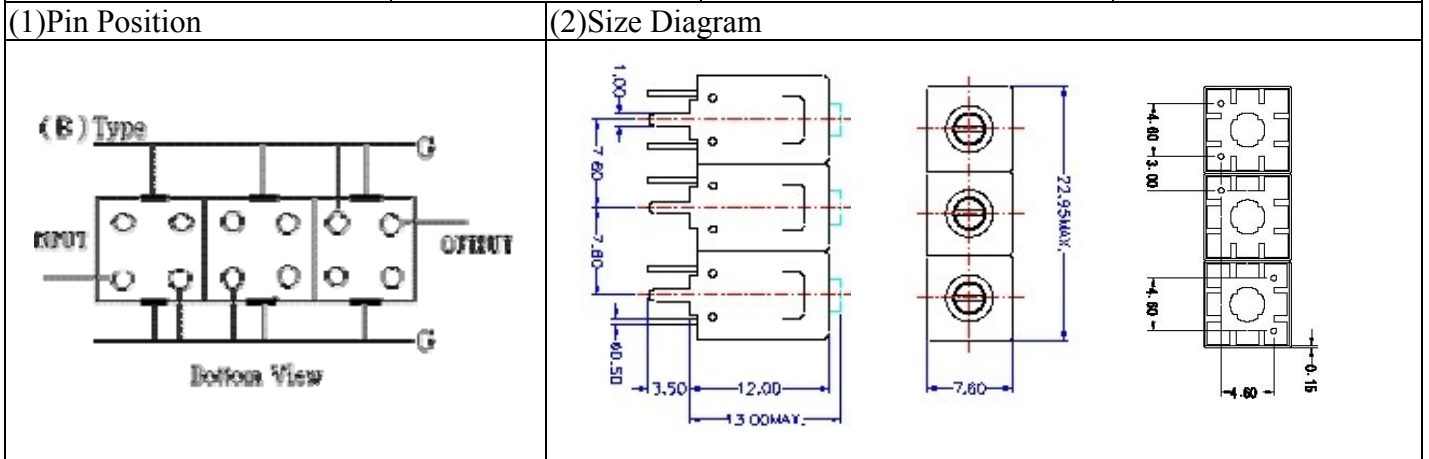


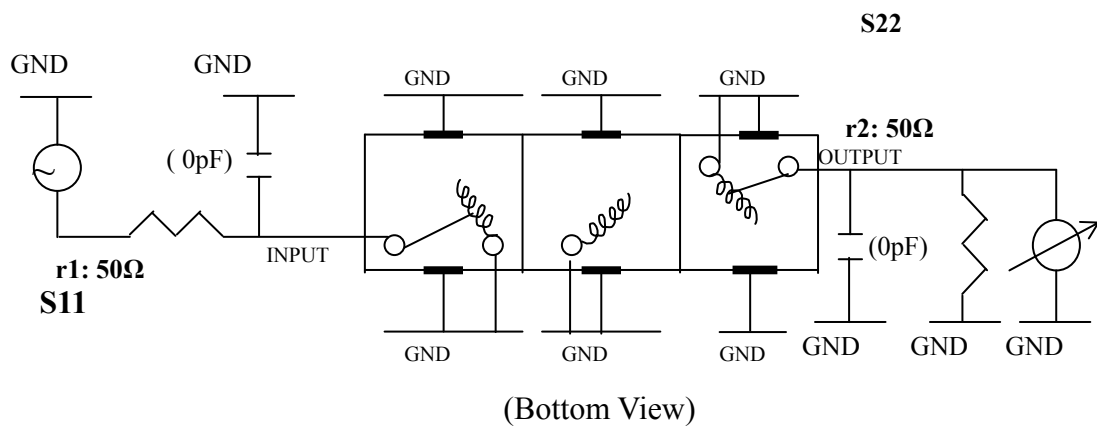
# VHF UHF Helical Filter Specification Sheet

Customer Name		Temwell's Part No.	TT67830B-630M
Approval No. /dated	0901069CD	Customer's Print Name.	67830B 630M
Work Instruction No.	200901069CD	Date	Feb.05.2009



(3) Electric Characteristic					
Item		Specify		Performance	
Center Freq.(Fo) +/- 0.5 %		630 MHz		630 MHz	
Tunable Range:		630±3 MHz		630±3 MHz	
Insertion Loss		Typ. 2.0 dB		1.02 dB	
-3 dB Bandwidth		Typ. 60 MHz		66.0 MHz	
Sensitivity (Attenuation)	Fo - 100 MHz	Typ. 38 dBc		41 dBc	
	Fo + 100 MHz	Typ. 22 dBc		25 dBc	
	Fo - ( )MHz	Typ. dBc		dBc	
	Fo + ( )MHz	Typ. dBc		dBc	
Return Loss		Min. 12 dB		23.4 dB	
Ripple		< 1 dB		dB	
Impedance		In / Out : 50 Ω		In / Out : 50 Ω	
(4) Torque for Tuning Screw				> 100gf · cm	
(5) Temperature Condition:					
Operating Temperature		0°C ~ +60°C			
Storage Temperature		-20°C ~ +70°C			
(6) Input Power				> 1 Watt	

(7) Measuring Circuit: ※Easy to match Impedance S11/S22 50Ω by parallel with about(0pF) / (0pF).



Approval	Supervisor	Designer	Aperture size
C.Y.Chang	C.S.Chang	C.S.Chang	7H3(4*6.5)(6.59) 7H046RB5.5

TEMWELL CORPORATION

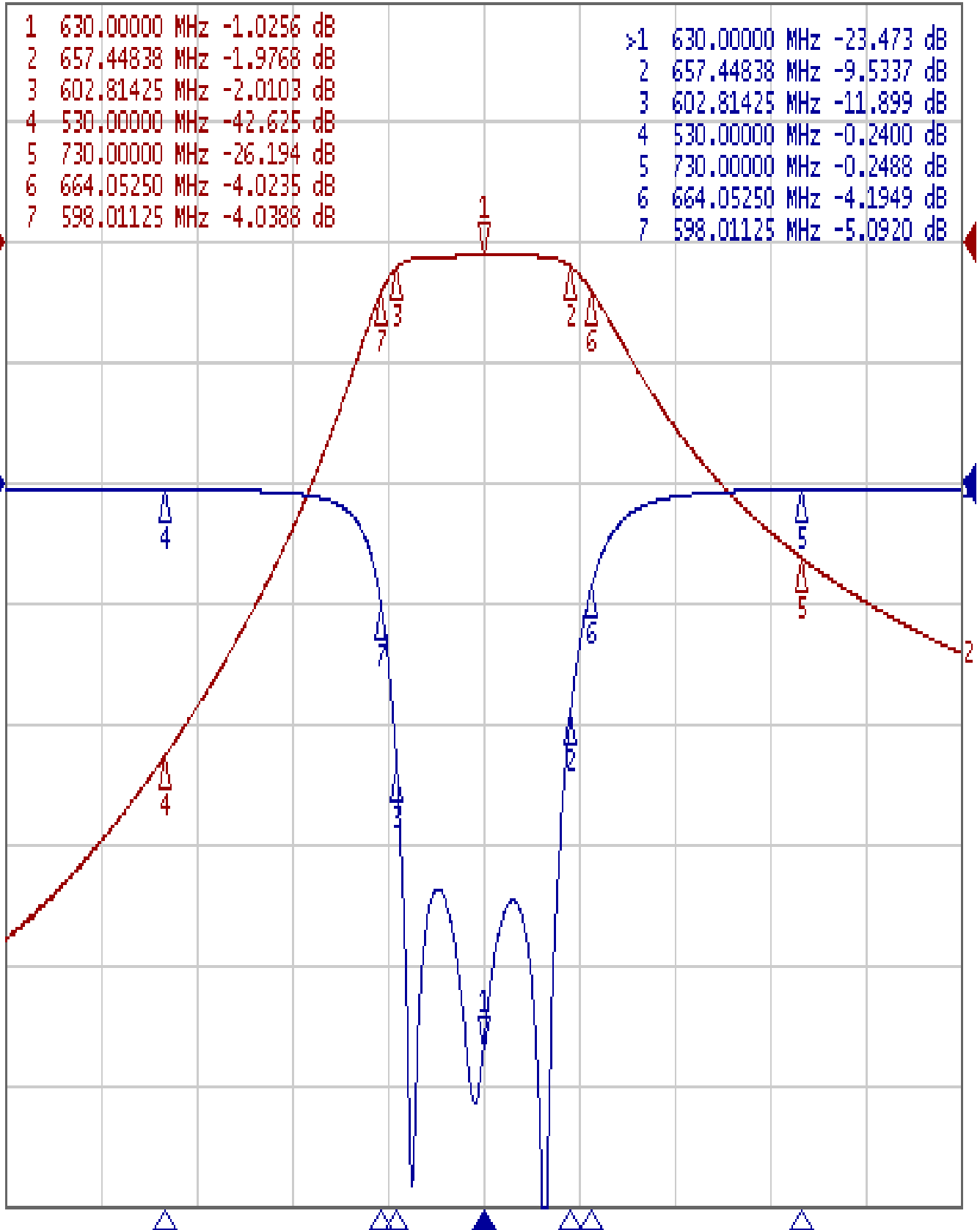
# Performance-TT67830B-630M

## 200901069CD

Tr1 S11 Log Mag 5.000dB/ Ref 0.000dB [F3]  
Tr2 S21 Log Mag 10.00dB/ Ref 0.000dB [F3]

1	630.00000 MHz	-1.0256 dB
2	657.44838 MHz	-1.9768 dB
3	602.81425 MHz	-2.0103 dB
4	530.00000 MHz	-42.625 dB
5	730.00000 MHz	-26.194 dB
6	664.05250 MHz	-4.0235 dB
7	598.01125 MHz	-4.0388 dB

>1	630.00000 MHz	-23.473 dB
2	657.44838 MHz	-9.5337 dB
3	602.81425 MHz	-11.899 dB
4	530.00000 MHz	-0.2400 dB
5	730.00000 MHz	-0.2488 dB
6	664.05250 MHz	-4.1949 dB
7	598.01125 MHz	-5.0920 dB



1 Center 630 MHz

IFBW 10 kHz

Span 300 MHz

C?