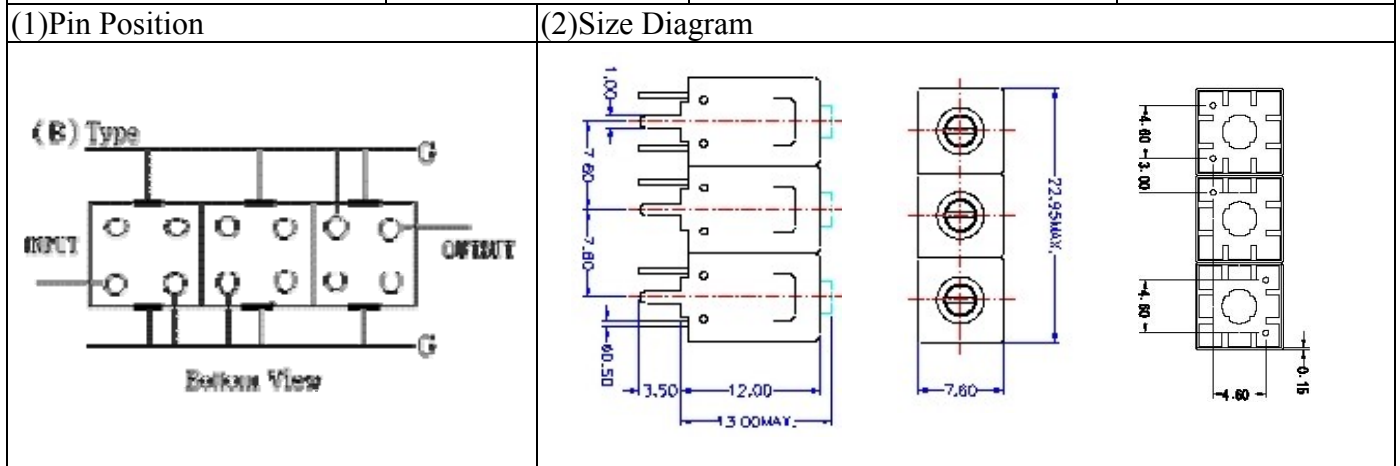


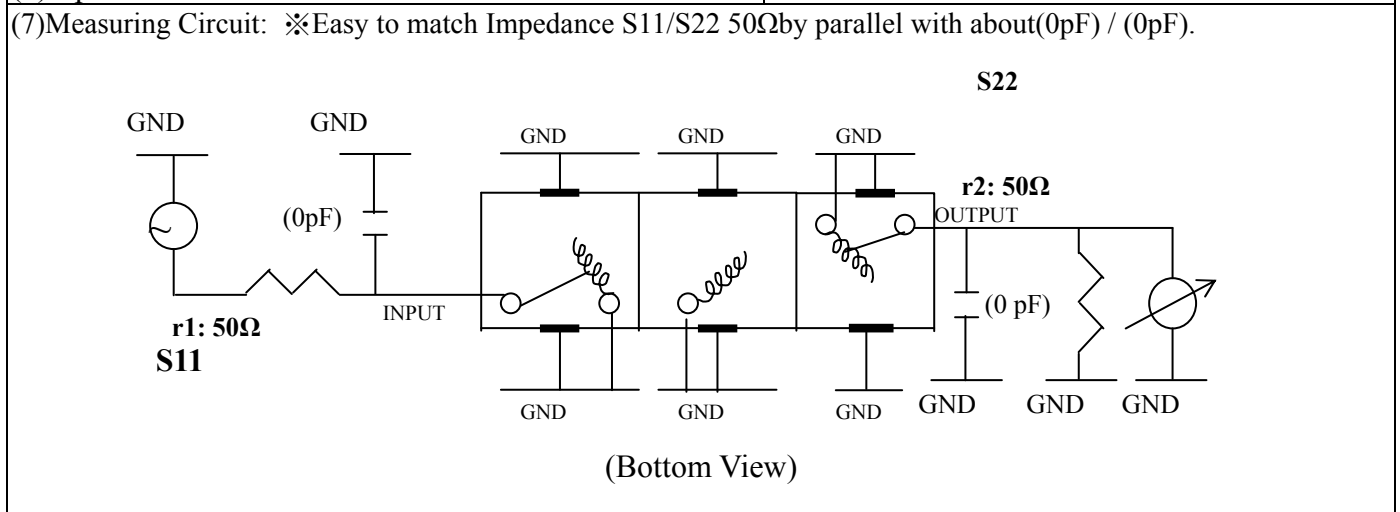
VHF UHF Helical Filter Specification Sheet

Customer Name		Temwell's Part No.	TT67839B-815M
Approval No. /dated	0712114BD	Acceptable Specify Fo Range	801~830MHz
Work Instruction No.	0712114BD	Date	Jan.03.2008



(3) Electric Character			
Item		Specify	Performance
Center Freq.(Fo) +/- 0.5 %		815 MHz	815 MHz
Tunable Range:		815±10 MHz	815±10 MHz
Insertion Loss		Typ. 5.0 dB	3.91 dB
-3 dB Bandwidth		Typ. 9 MHz	14.0 MHz
Sensitivity (Attenuation)	Fo - 50 MHz	Typ. 51 dBc	56 dBc
	Fo + 50 MHz	Typ. 35 dBc	40 dBc
	Fo - ()MHz	Typ. dBc	dBc
	Fo +()MHz	Typ. dBc	dBc
Return Loss		Min. 12 dB	21.8 dB
Ripple		< 1 dB	dB
Impedance		In / Out : 50 Ω	In / Out : 50 Ω

(4) Torque for Tuning Screw		> 100gf • cm
(5) Temperature Condition:		
Operating Temperature	0°C ~ +60°C	
Storage Temperature	-20°C ~ +70°C	
(6) Input Power	> 1Watt	

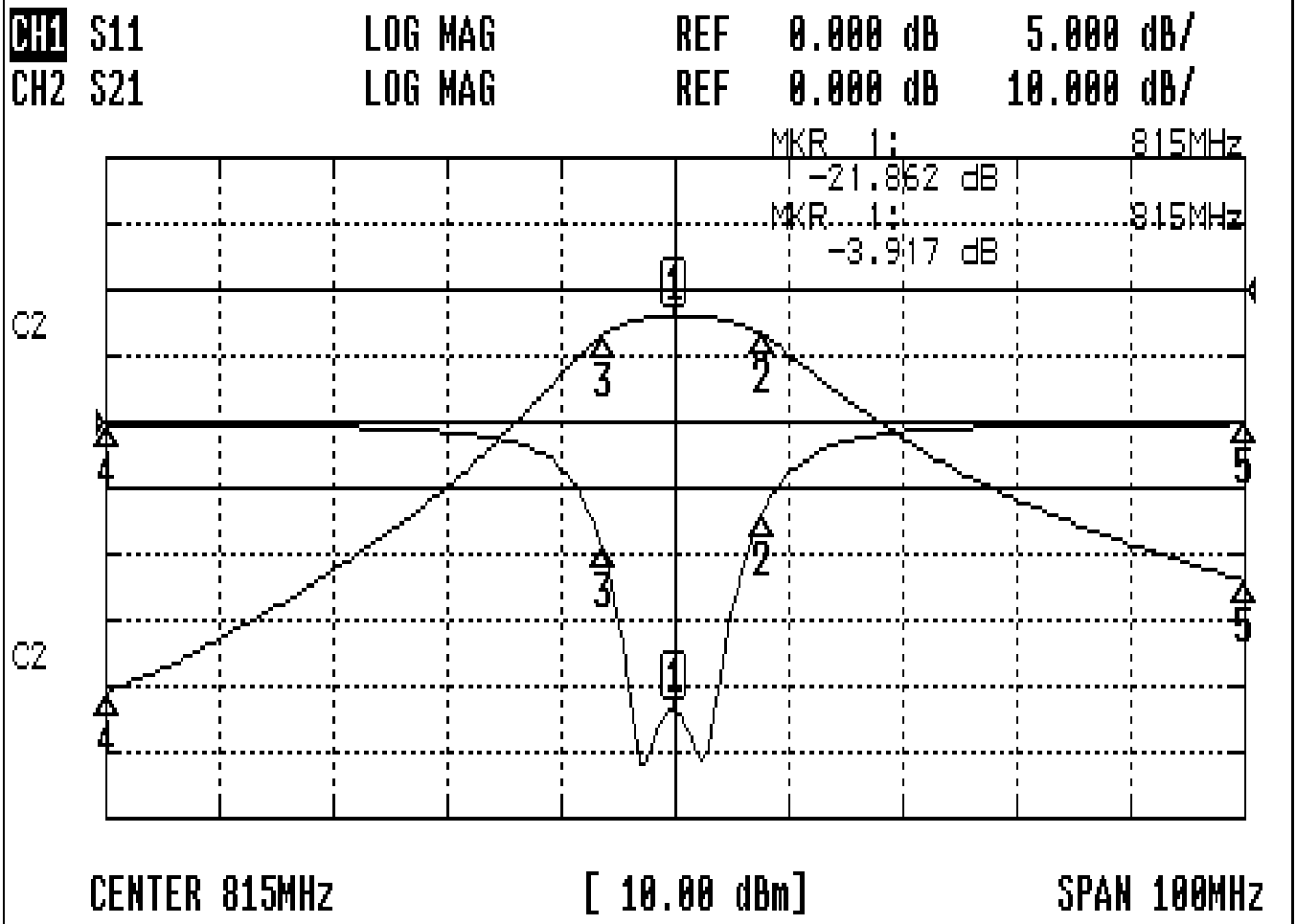


Approval	Supervisor	Designer	Aperture size
C.Y.Chang	C.S.Chang	P.H.Chiang	7H3(4*4.65)F 7H046RB4

TEMWELL CORPORATION

Performance-TT67839B-815M

0712114BD



CH1 MARKER LIST

1:	815.000MHz	-21.845 dB
2:	822.666MHz	-7.126 dB
3:	808.666MHz	-9.488 dB
4:	765.000MHz	-0.181 dB
5:	865.000MHz	-0.140 dB

CH2 MARKER LIST

1:	815.000MHz	-3.917 dB
2:	822.666MHz	-16.935 dB
3:	808.666MHz	-16.985 dB
4:	765.000MHz	-60.994 dB
5:	865.000MHz	-43.929 dB