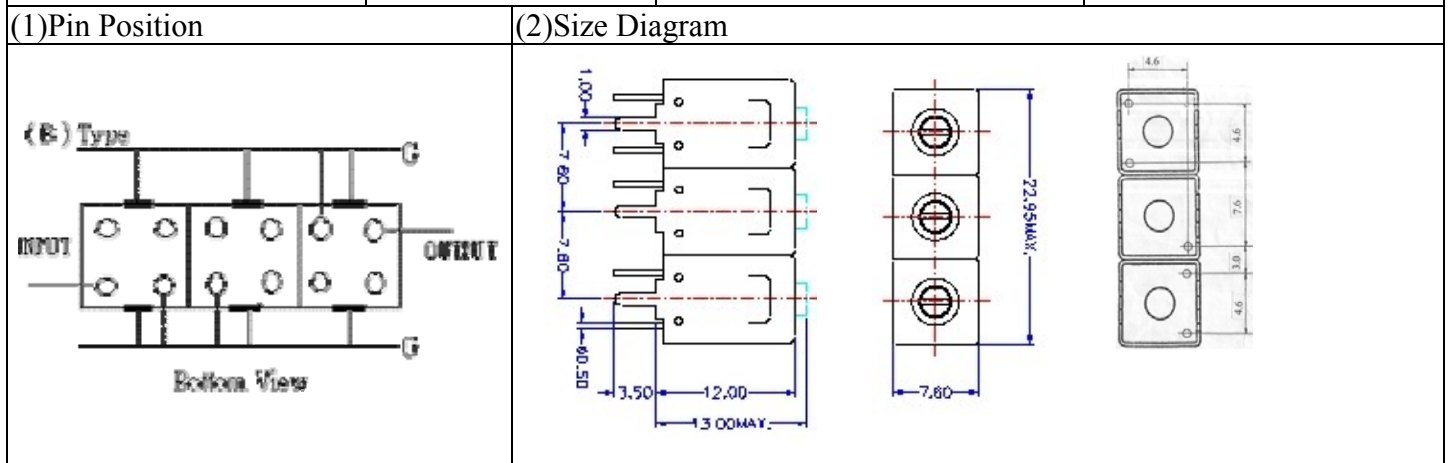


VHF UHF Helical Filter Specification Sheet

Customer Name		Temwell's Part No.	TT67840B-915M
Approval No. /dated	0510132DC	Acceptable Specify Fo Range	901~930MHz
Work Instruction No.	0510132DC	Date	Oct.15.2005

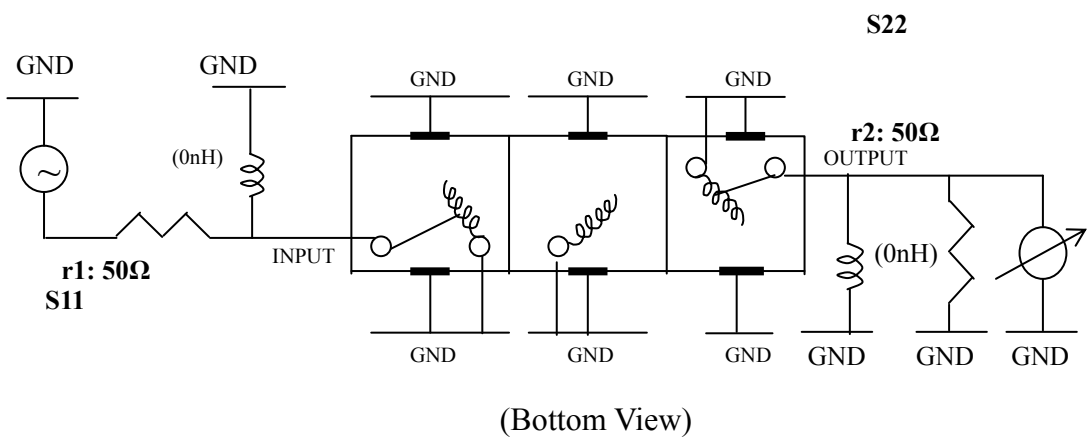


(3) Electric Character			
Item	Specify		Performance
Center Freq.(Fo) +/- 0.5 %	915	MHz	915 MHz
Tunable Range	915±10	MHz	915±10 MHz
Insertion Loss	Typ. 4.5	dB	3.19 dB
-3 dB Bandwidth	Typ. 15	MHz	19.7 MHz
Sensitivity (Attenuation)	Fo - 50 MHz	Typ. 40	dBc
	Fo + 50 MHz	Typ. 30	dBc
	Fo - ()MHz	Typ.	dBc
	Fo +()MHz	Typ.	dBc
Return Loss	Min. 12	dB	26.5 dB
Ripple	< 1	dB	dB
Impedance	In / Out : 50 Ω		In / Out : 50 Ω
(4) Torque for Tuning Screw	> 100gf · cm		

(5) Temperature Condition:	
Operating Temperature	0°C ~ +60°C
Storage Temperature	-20°C ~ +70°C

(6) Input Power	> 1Watt
-----------------	---------

(7) Measuring Circuit: ※Easy to match Impedance S11/S22 50Ω/ by parallel with about(0nH) / (0nH).

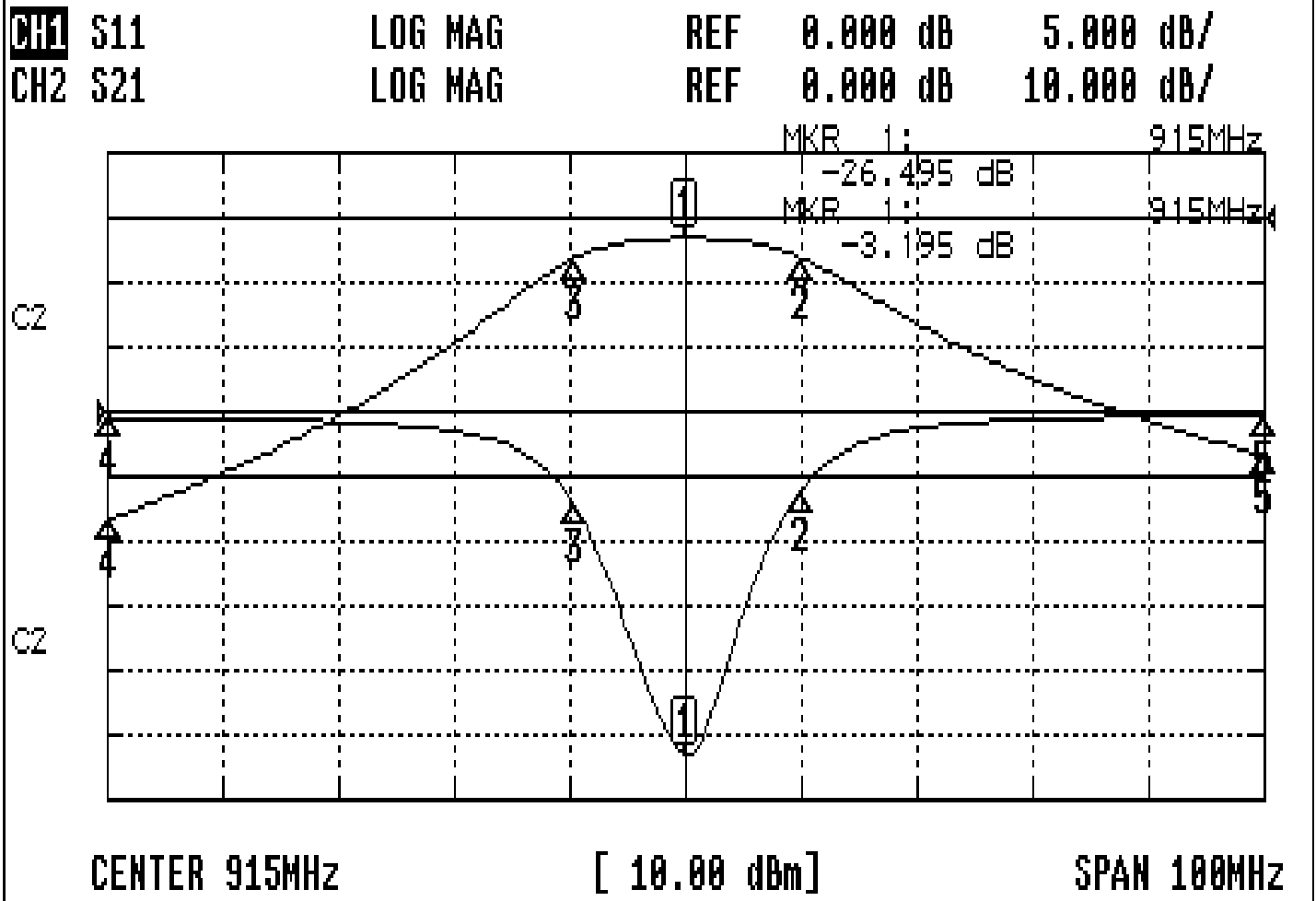


Approval	Supervisor	Designer	Aperture size
C.Y. Chang	C.S. Chang	P.H. Chiang	7H3(4*4.65)(4.69) 7H046RB4

TEMWELL CORPORATION

Performance-TT67840B-915M

0510132DC



CH1 MARKER LIST

1:	915.000MHz	-26.510 dB
2:	925.000MHz	-6.088 dB
3:	905.333MHz	-7.081 dB
4:	885.000MHz	-0.433 dB
5:	965.000MHz	-0.299 dB

CH2 MARKER LIST

1:	915.000MHz	-3.195 dB
2:	925.000MHz	-6.209 dB
3:	905.333MHz	-6.254 dB
4:	885.000MHz	-46.742 dB
5:	965.000MHz	-36.700 dB