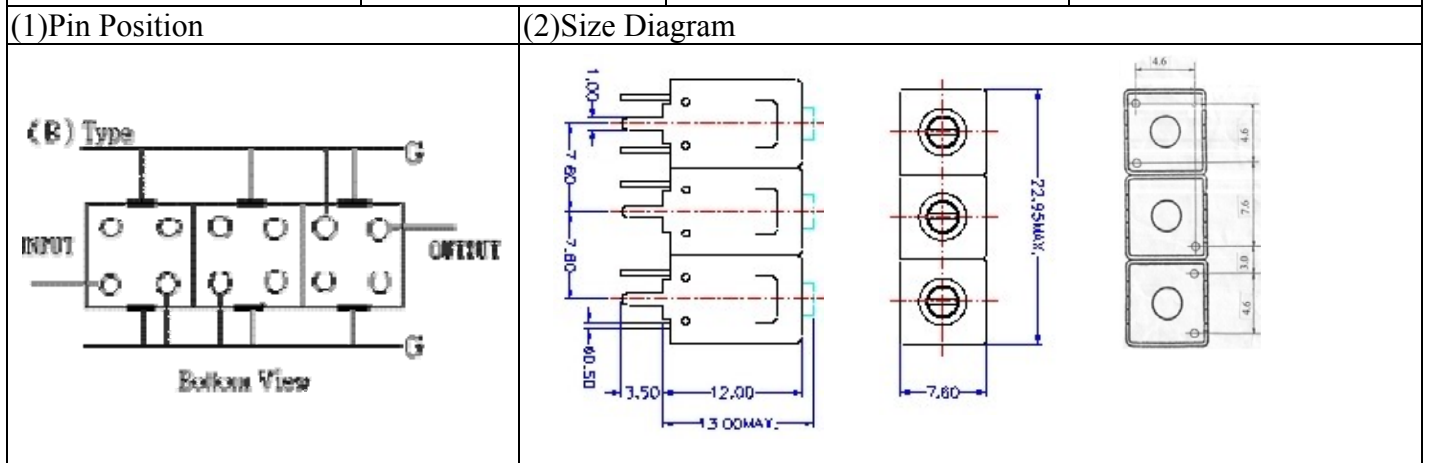


# VHF UHF Helical Filter Specification Sheet

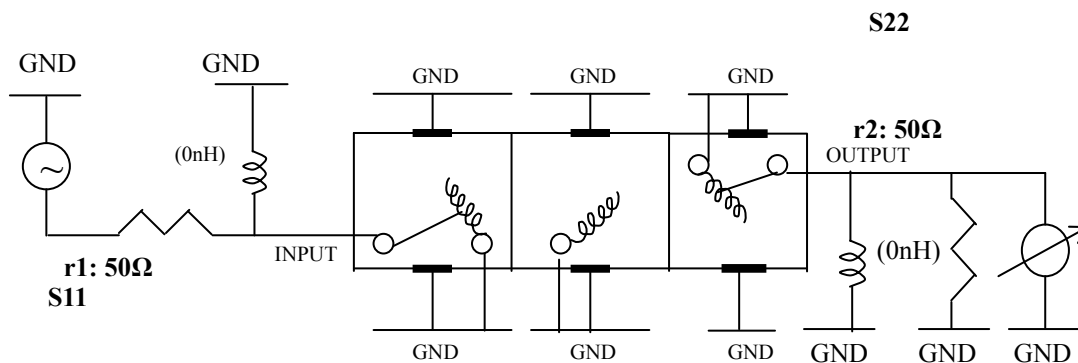
Customer Name		Temwell's Part No.	TT67844B-630M
Approval No. /dated	0510136DC	Acceptable Specify Fo Range	596~640MHz
Work Instruction No.	0510136DC	Date	Oct.10.2005



(3) Electric Character			
Item	Specify		Performance
Center Freq. (Fo) +/- 0.5 %	630 MHz		630 MHz
Tunable Range	630±5 MHz		630±5 MHz
Insertion Loss	Typ. 3.5 dB		2.2 dB
-3 dB Bandwidth	Typ. 18 MHz		22.2 MHz
Sensitivity (Attenuation)	Fo - 50 MHz	Typ. 39 dBc	42 dBc
	Fo + 50 MHz	Typ. 26 dBc	29 dBc
	Fo - ( )MHz	Typ. dBc	dBc
	Fo +( )MHz	Typ. dBc	dBc
Return Loss	Min. 12 dB		31.6 dB
Ripple	< 1 dB		dB
Impedance	In / Out : 50 Ω		In / Out : 50 Ω
(4) Torque for Tuning Screw	> 100gf • cm		

(5) Temperature Condition:	
Operating Temperature	0°C ~ +60°C
Storage Temperature	-20°C ~ +70°C
(6) Input Power	> 1 Watt

(7) Measuring Circuit: ※Easy to match Impedance S11/S22 50Ω/ by parallel with about(0nH) / (0nH).

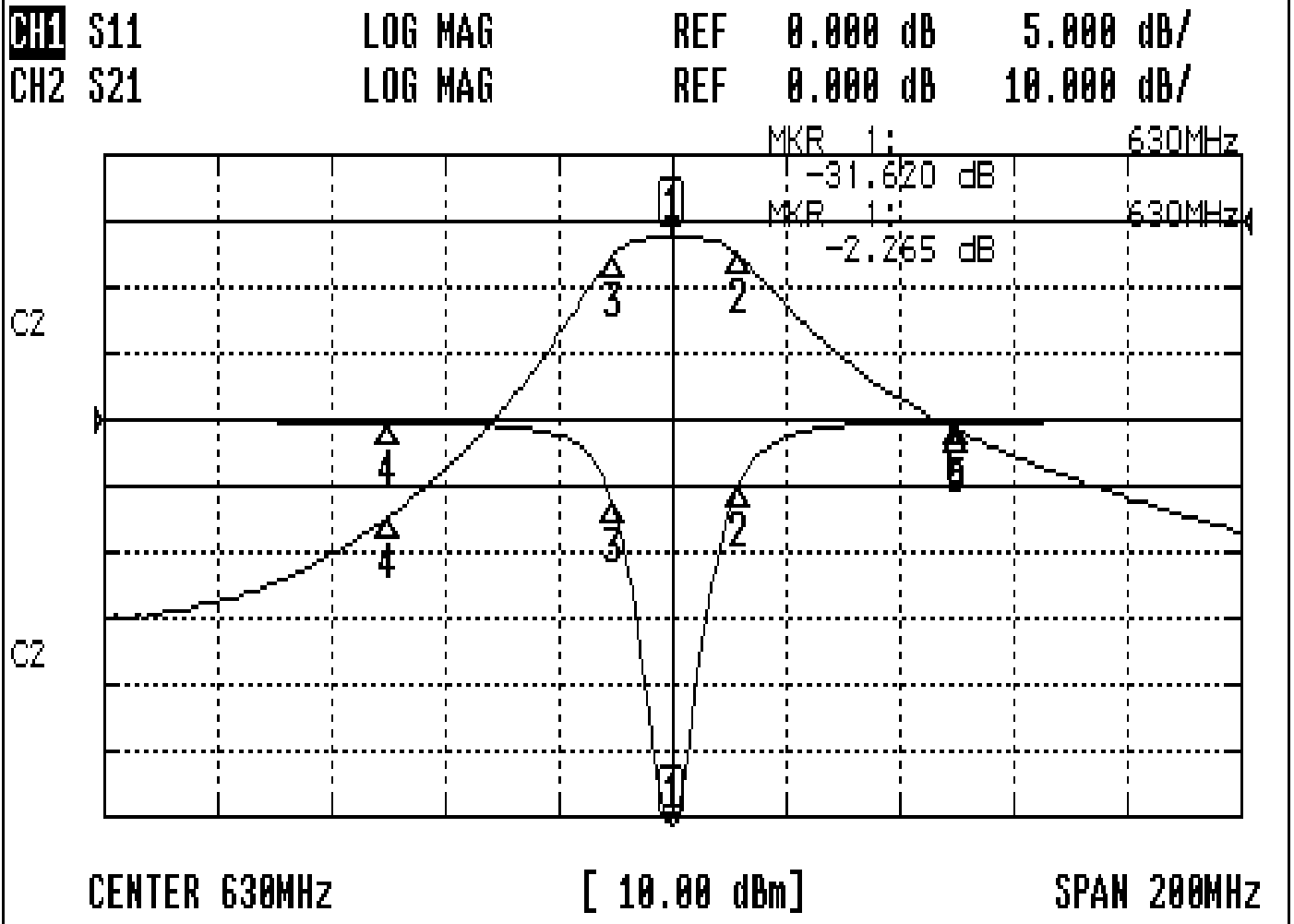


(Bottom View)

Approval	Supervisor	Designer	Aperture size
C.Y. Chang	C.S. Chang	P.H. Chiang	7H3(4*5.5)(5.59) 7H046RB4
TEMWELL		CORPORATION	

# Performance-TT67844B-630M

## 0510136DC



### CH1 MARKER LIST

1	630.000MHz	-31.656	dB
2	641.833MHz	-14.995	dB
3	619.666MHz	-16.446	dB
4	580.000MHz	-10.224	dB
5	680.000MHz	-0.183	dB

### CH2 MARKER LIST

1	630.000MHz	-2.265	dB
2	641.833MHz	-15.310	dB
3	619.666MHz	-15.225	dB
4	580.000MHz	-44.752	dB
5	680.000MHz	-31.497	dB