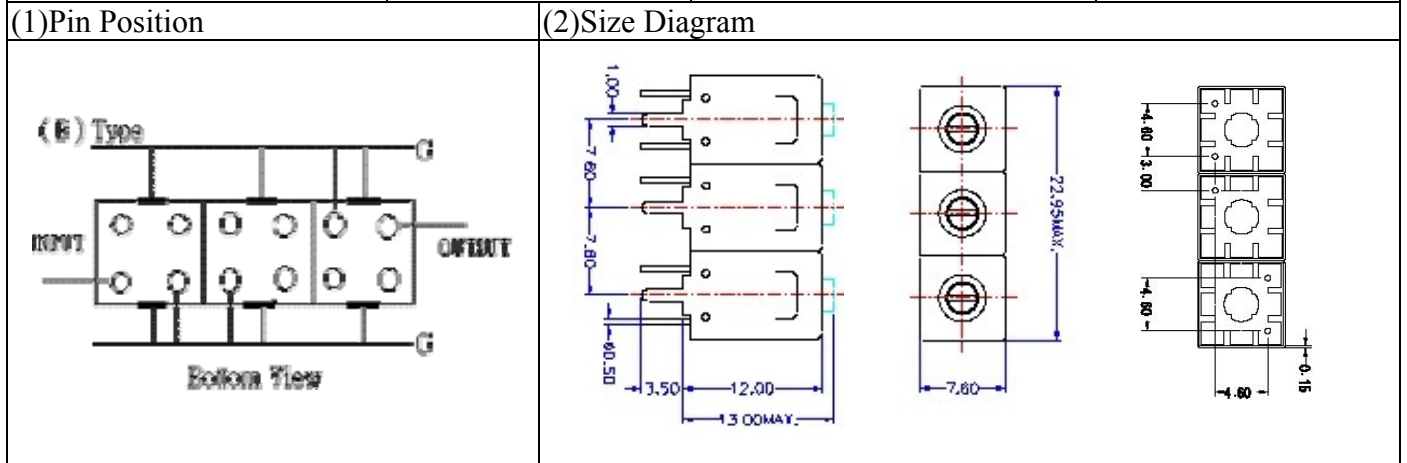


VHF UHF Helical Filter Specification Sheet

| | | | |
|----------------------|-------------|-----------------------|-----------------|
| Customer Name | | Temwell's Part No. | TT67847B-1275M |
| Approval No. /dated | 201007008CD | Temwell's Print Name. | 67847B 1275M |
| Work Instruction No. | 201007008CD | Date | Sep.09.2010 |



(3) Electric Characteristic

| Item | Specify | Performance | |
|------------------------------|-----------------|-----------------|--------|
| Center Freq.(Fo) +/-0.5 % | 1275 MHz | 1275 MHz | |
| Insertion Loss | Typ. 4.5 dB | 3.65 dB | |
| -3 dB Bandwidth | Typ. 20 MHz | 29.3 MHz | |
| Sensitivity (Attenuation) | Fo - 50 MHz | Typ. 27 dBc | 30 dBc |
| | Fo + 50 MHz | Typ. 18 dBc | 21 dBc |
| | Fo - ()MHz | Typ. dBc | dBc |
| | Fo +()MHz | Typ. dBc | dBc |
| Return Loss | Min. 12 dB | 23.6 dB | |
| Ripple | < 1 dB | dB | |
| Impedance | In / Out : 50 Ω | In / Out : 50 Ω | |
| (4) Torque for Tuning Screw | > 100gf · cm | | |

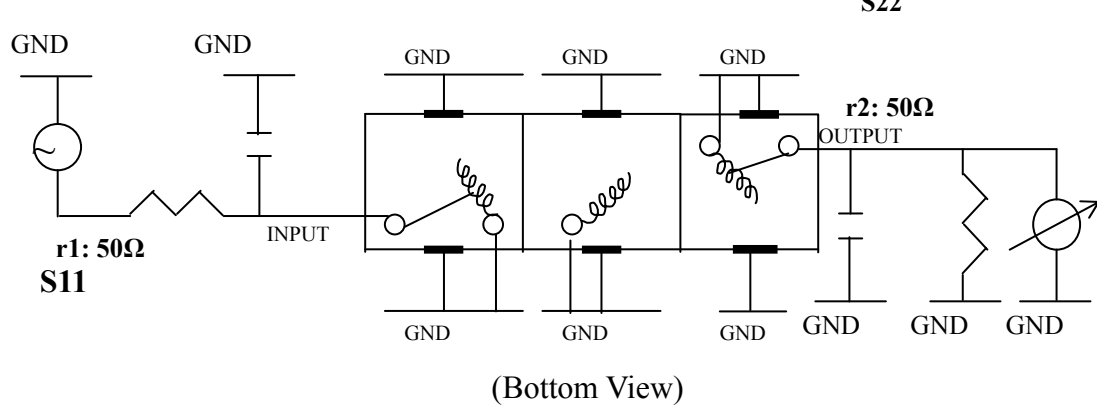
(5) Temperature Condition:

| | |
|-----------------------|---------------|
| Operating Temperature | 0°C ~ +60°C |
| Storage Temperature | -20°C ~ +70°C |

(6) Input Power

> 1Watt

(7) Measuring Circuit: ※Easy to match Impedance S11/S22 50Ω by parallel with about(-) / (-).



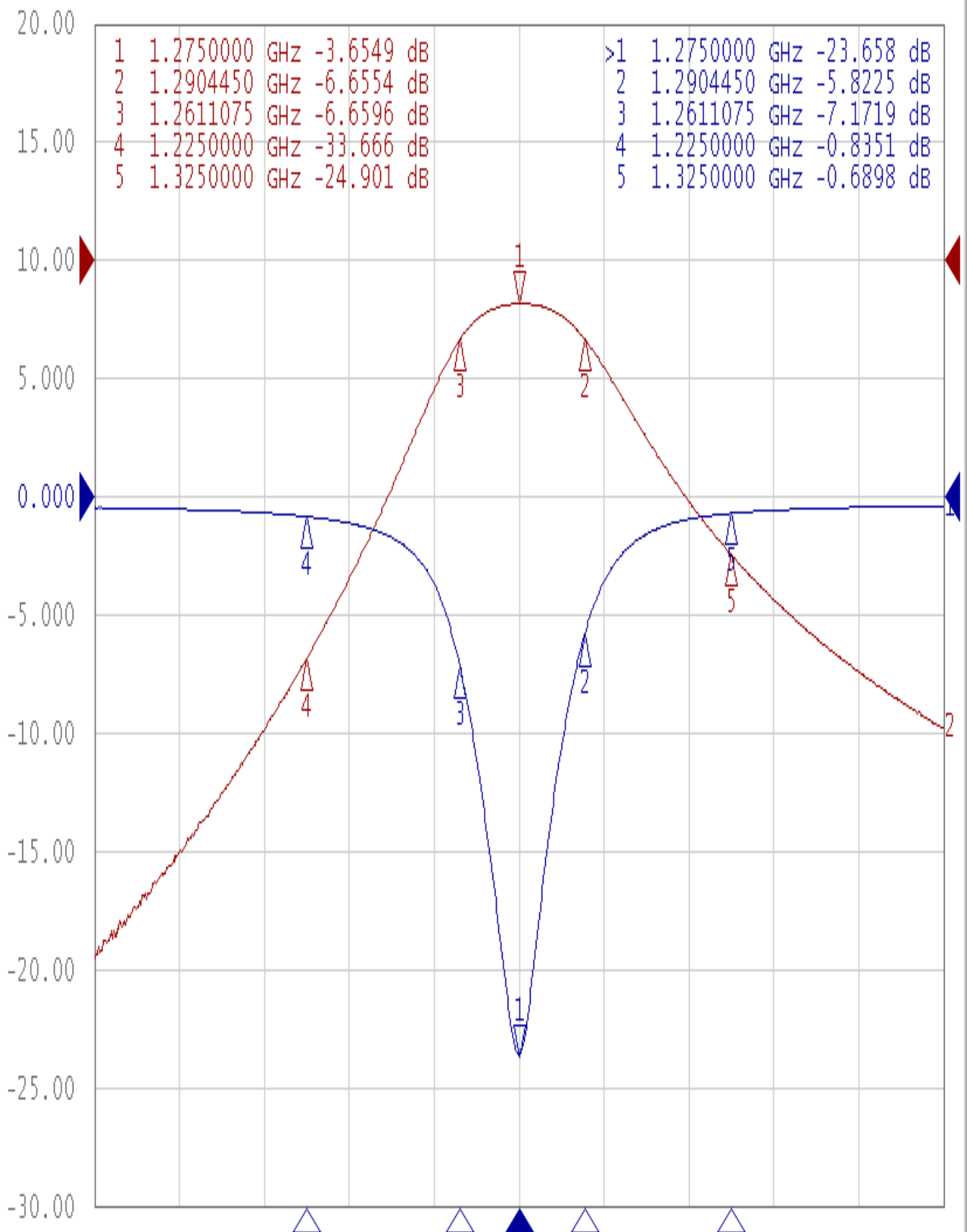
| | | | |
|-----------|------------|-----------|---------------------------------------|
| Approval | Supervisor | Designer | Aperture size |
| C.Y.Chang | C.K.Chang | C.S.Chang | 7H3S(4*6.5)(6.58) (7H046RB4.3 聚 3) |

TEMWELL CORPORATION

Performance-TT67847B-1275M

201007008CD

▶ Tr1 S11 Log Mag 5.000dB/ Ref 0.000dB [F2]
Tr2 S21 Log Mag 10.00dB/ Ref 0.000dB [F2]



1 Center 1.275 GHz

IFBW 10 kHz

Span 200 MHz Cor !