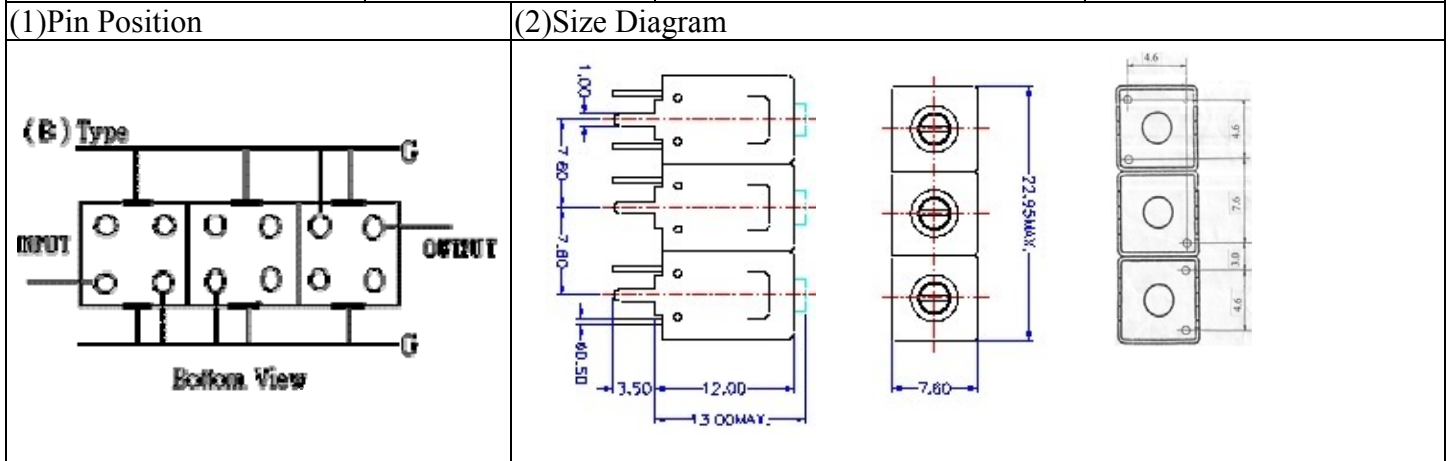


# VHF UHF Helical Filter Specification Sheet

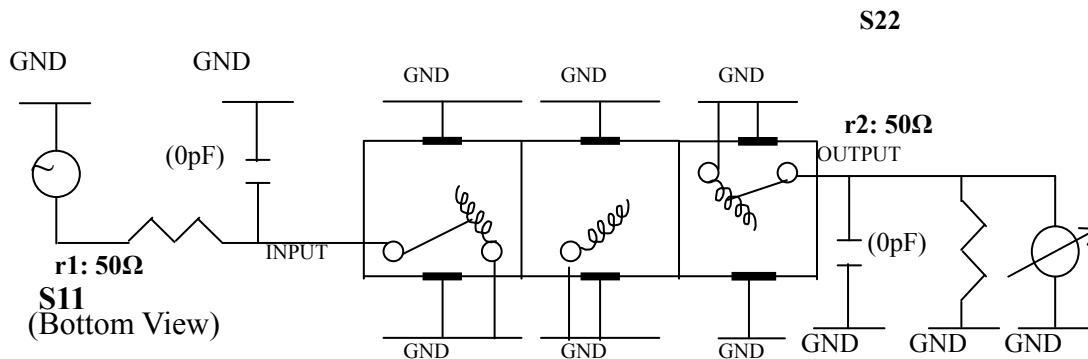
Customer Name		Temwell's Part No.	TT67854B-365M
Approval No. /dated	0511003APR	Acceptable Specify Fo Range	356-400 MHz
Work Instruction No.	0511003DC	Date	Nov.10.2005



(3) Electric Character			
Item	Specify		Performance
Center Freq.(Fo ) +/- 0.5 %	365	MHz	365 MHz
Tunable Range	365±4	MHz	365±4 MHz
Insertion Loss	Typ. 2.0	dB	0.54 dB
-3 dB Bandwidth	Typ. 70	MHz	80.7 MHz
Sensitivity (Attenuation)	Fo - 100 MHz	Typ. 27 dBc	30 dBc
	Fo + 100 MHz	Typ. 16 dBc	19 dBc
	Fo - ( )MHz	Typ. dBc	dBc
	Fo + ( )MHz	Typ. dBc	dBc
Return Loss	Min. 12	dB	22.2 dB
Ripple	< 1	dB	dB
Impedance	In / Out : 50 Ω		In / Out : 50 Ω
(4) Torque for Tuning Screw	> 60gf · cm		

(5) Temperature Condition:	
Operating Temperature	-0°C ~ +60°C
Storage Temperature	-20°C ~ +70°C
(6) Input Power	> 1Watt

(7) Measuring Circuit: ※Easy to match Impedance S11/S22 50Ω/by parallel with about ( 0 pF ) / ( 0 pF ).



Approval	Supervisor	Designer	Aperture size
C.Y. Chang	C.S. Chang	C.S. Chang	7H3S(4*7.5)(4*7.6) 7H046RB6.5

TEMWELL CORPORATION

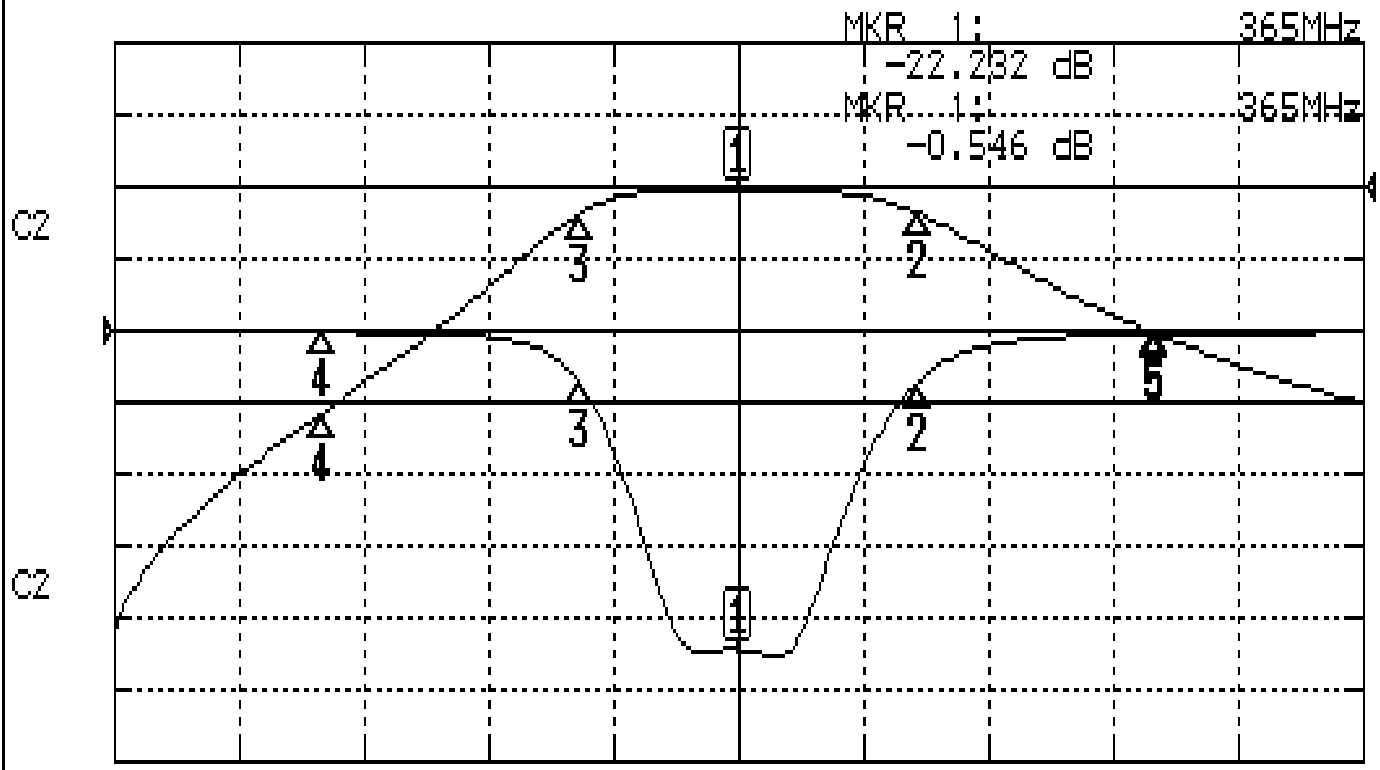
TEMWELL

Form RP: C.S. Chang

# Performance-TT67854B-365M

## 0511003DC

CH1 S11 LOG MAG REF 0.000 dB 5.000 dB/  
CH2 S21 LOG MAG REF 0.000 dB 10.000 dB/



CENTER 365MHz

[ 10.00 dBm ]

SPAN 300MHz

### CH1 MARKER LIST

Marker	Frequency (MHz)	Magnitude (dB)
1	365.000	-22.232
2	407.750	-3.685
3	327.000	-3.723
4	265.000	-0.139
5	465.000	-0.244

### CH2 MARKER LIST

Marker	Frequency (MHz)	Magnitude (dB)
1	365.000	-0.546
2	407.750	-3.540
3	327.000	-3.527
4	265.000	-31.448
5	465.000	-20.435