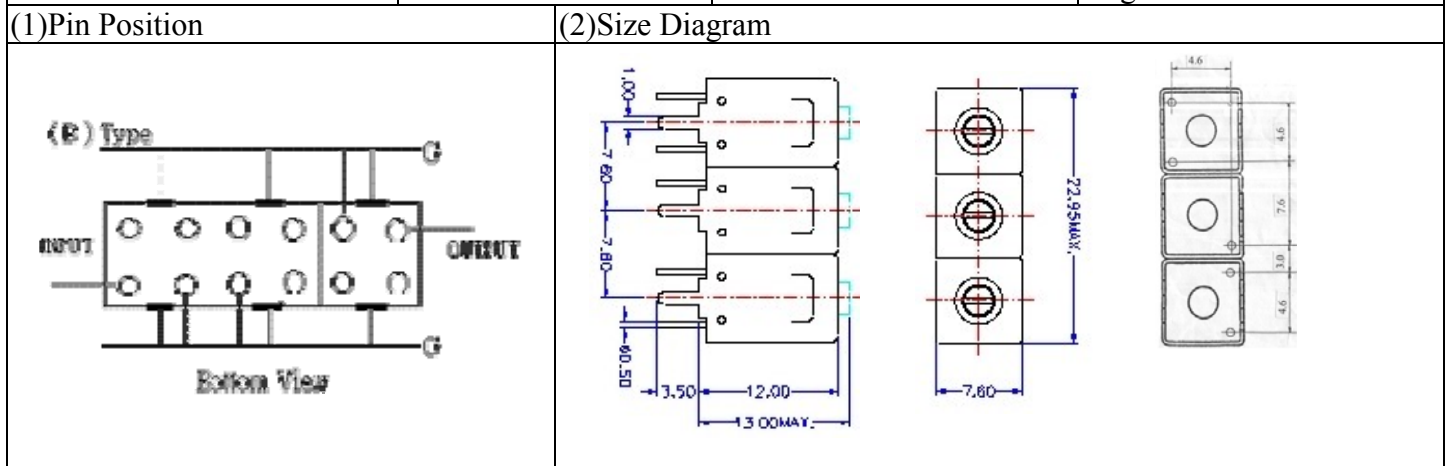


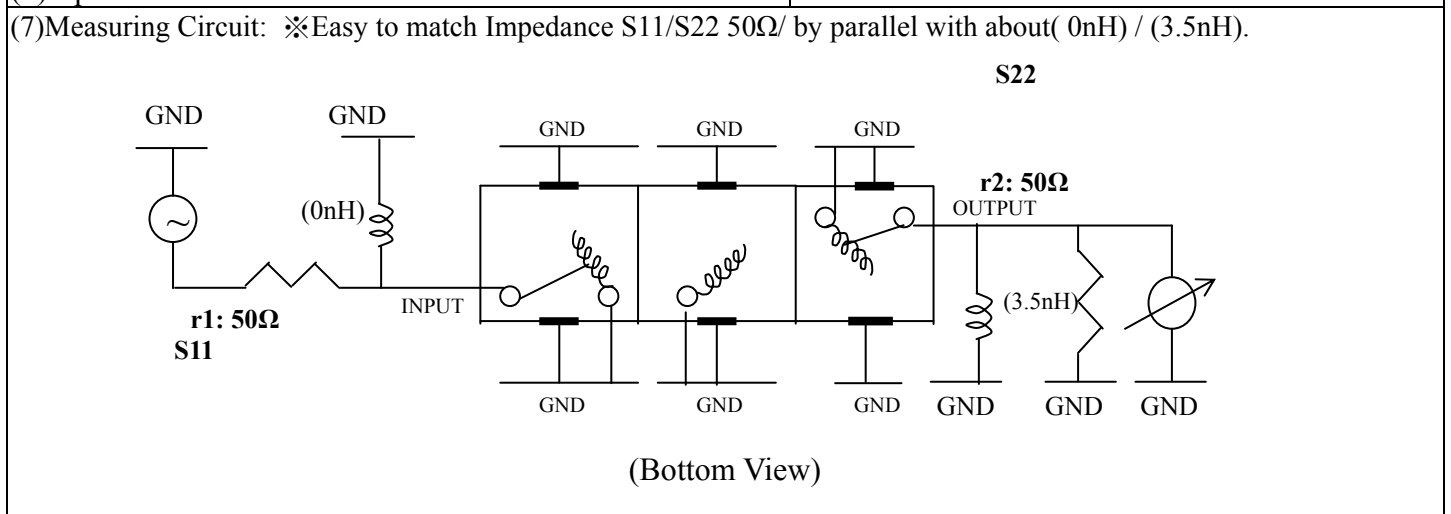
# VHF UHF Helical Filter Specification Sheet

Customer Name		Temwell's Part No.	TT67859B-850M
Approval No. /dated	0604024DC	Acceptable Specify Fo Range	831~860 MHz
Work Instruction No.	0604024DC	Date	Aug.28.2006



(3) Electric Character		Item	Specify	Performance
		Center Freq.(Fo ) +/- 0.5 %	850 MHz	850 MHz
		Tunable Range	850±5 MHz	850±5 MHz
		Insertion Loss	Typ. 1.5 dB	0.79 dB
		-3 dB Bandwidth	Typ. 100 MHz	116.7 MHz
Sensitivity (Attenuation)	Fo - 200 MHz	Typ. 40 dBc		46 dBc
	Fo + 200 MHz	Typ. 17 dBc		27 dBc
	Fo - ( )MHz	Typ. dBc		dBc
	Fo +( )MHz	Typ. dBc		dBc
		Return Loss	Min. 12 dB	19.7 dB
		Ripple	< 1 dB	dB
		Impedance	In / Out : 50 Ω	In / Out : 50 Ω
(4) Torque for Tuning Screw			> 100gf · cm	

(5) Temperature Condition:	
Operating Temperature	0°C ~ +60°C
Storage Temperature	-20°C ~ +70°C
(6) Input Power	> 1Watt

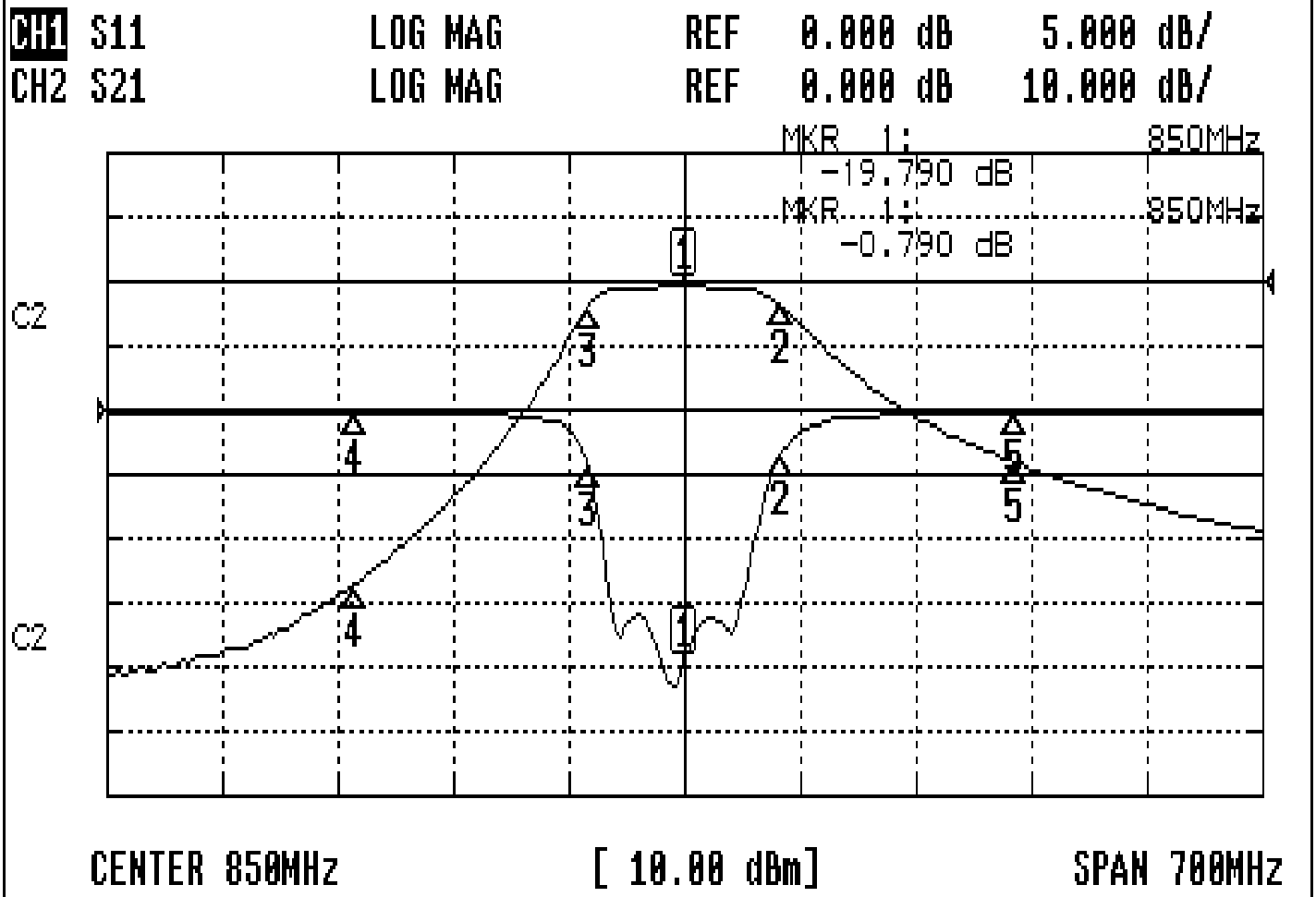


Approval	Supervisor	Designer	Aperture size
C.Y.Chang	C.S.Chang	W.W.Wang	7H3S(4*6.5)(5.58)F 7H046RB6.5

TEMWELL CORPORATION

# Performance-TT67859B-850M

## 0604024DC



### CH1 MARKER LIST

1:	850.000MHz	-19.790 dB
2:	908.333MHz	-3.642 dB
3:	791.666MHz	-4.412 dB
4:	650.000MHz	-0.276 dB
5:	1.050 000GHz	-0.339 dB

### CH2 MARKER LIST

1:	850.000MHz	-0.790 dB
2:	908.333MHz	-3.784 dB
3:	791.666MHz	-3.841 dB
4:	650.000MHz	-47.105 dB
5:	1.050 000GHz	-28.206 dB