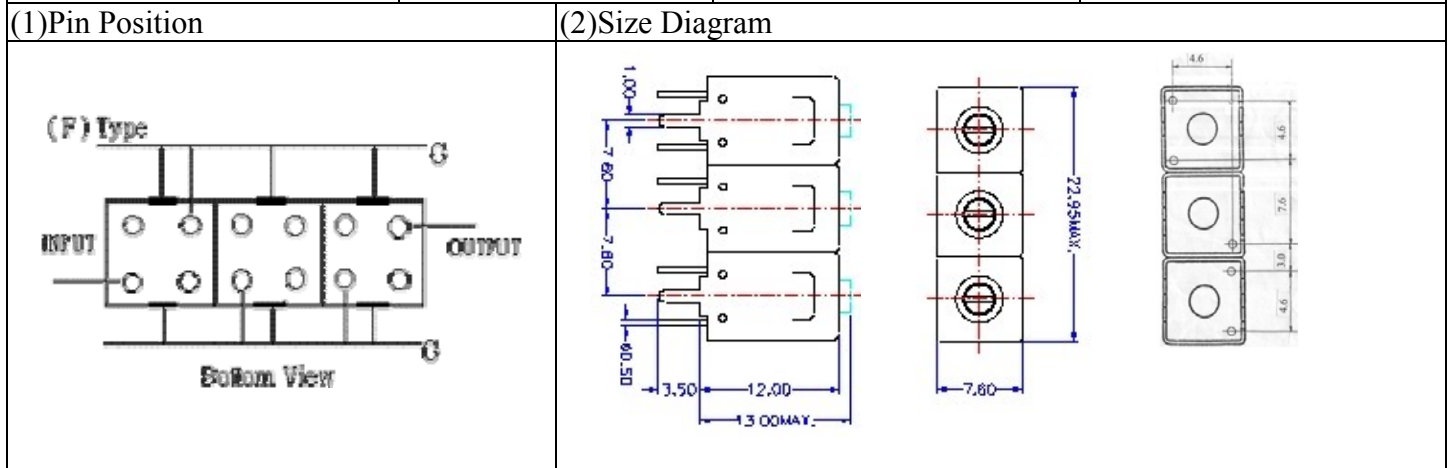


VHF UHF Helical Filter Specification Sheet

Customer Name		Temwell's Part No.	TT67859F-850M
Approval No. /dated	0906165CD	Temwell's print name.	67859F 850M
Work Instruction No.	200906165CD	Date	Jun.03.2009



(3) Electric Character

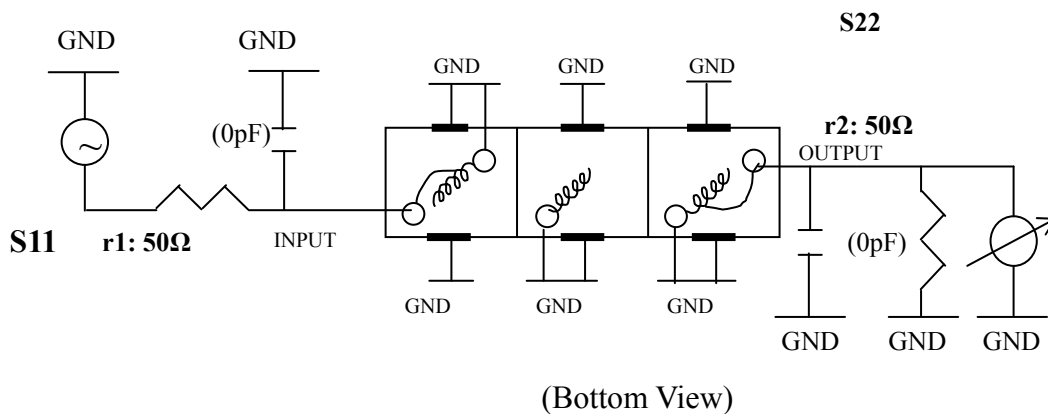
Item	Specify	Performance
Center Freq.(Fo) +/- 0.5 %	850 MHz	850 MHz
Insertion Loss	Typ. 1.5 dB	1.00 dB
-3 dB Bandwidth	Typ. 100 MHz	115.5 MHz
Sensitivity (Attenuation)	Fo - 200 MHz	Typ. 31 dBc
	Fo + 200 MHz	Typ. 37 dBc
	Fo - ()MHz	Typ. dBc
	Fo +()MHz	Typ. dBc
Return Loss	Min. 12 dB	26.0 dB
Ripple	< 1 dB	
Impedance	In / Out : 50 Ω	In / Out : 50 Ω
(4) Torque for Tuning Screw	> 60gf • cm	

(5) Temperature Condition:

Operating Temperature	0°C ~ +60°C
Storage Temperature	-20°C ~ +70°C

(6) Input Power

(7) Measuring Circuit: ※Easy to match Impedance S11/S22 50Ω by parallel with about(0nH) / (0 nH).



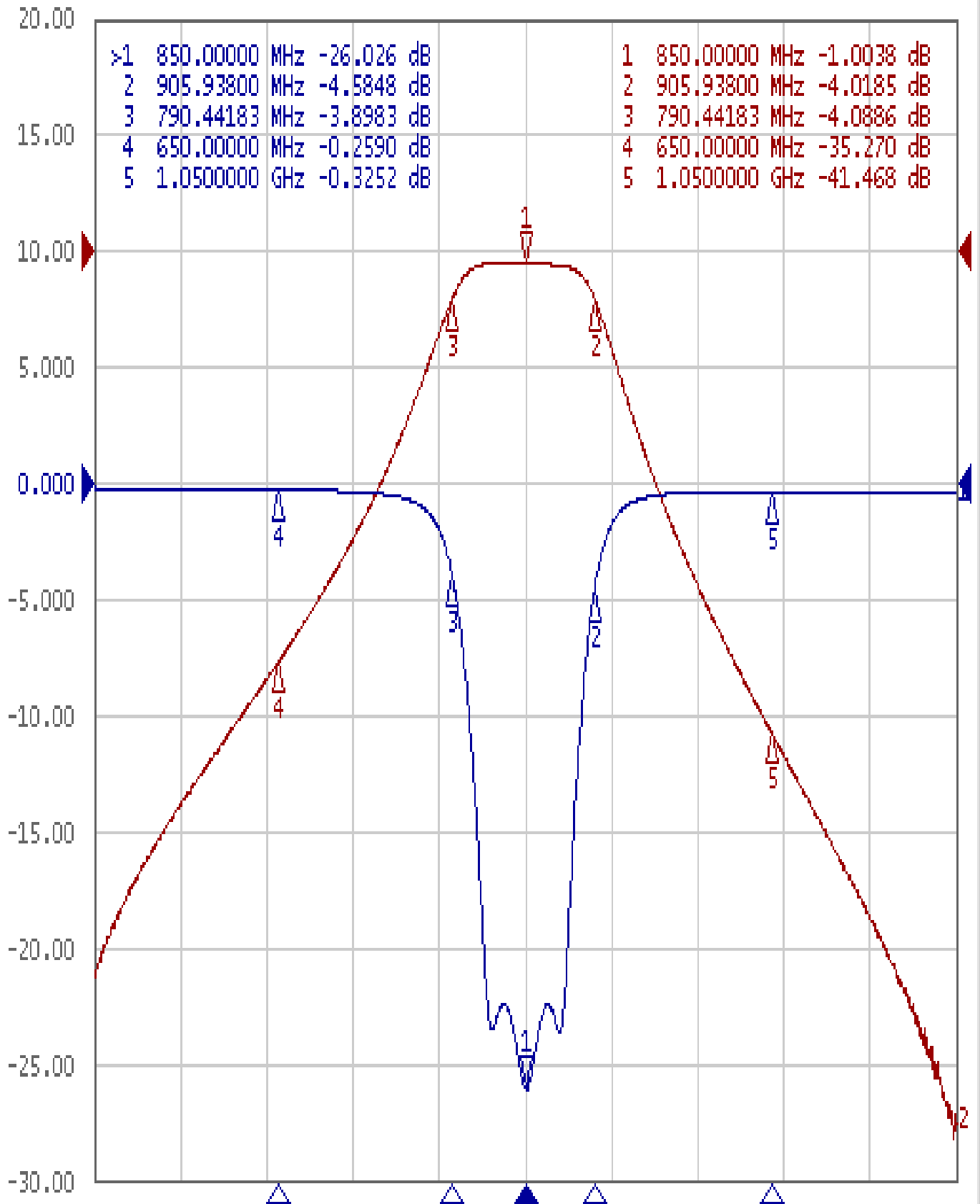
Approval	Supervisor	Designer	Aperture size
C.Y.Chang	C.K.Chang	P.H.Chiang	7H3S(4*6.5)(6.58) 7H046RB6.5
TEMWELL		CORPORATION	

Performance-TT67859F-850M

200906165CD

Tr1 S11 Log Mag 5.000dB/ Ref 0.000dB [F2]

Tr2 S21 Log Mag 10.00dB/ Ref 0.000dB [F2]



1 Center 850 MHz

IFBW 10 kHz

Span 700 MHz Cor !