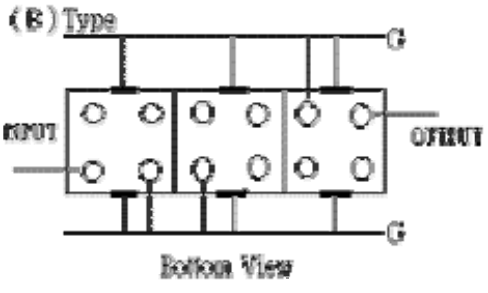
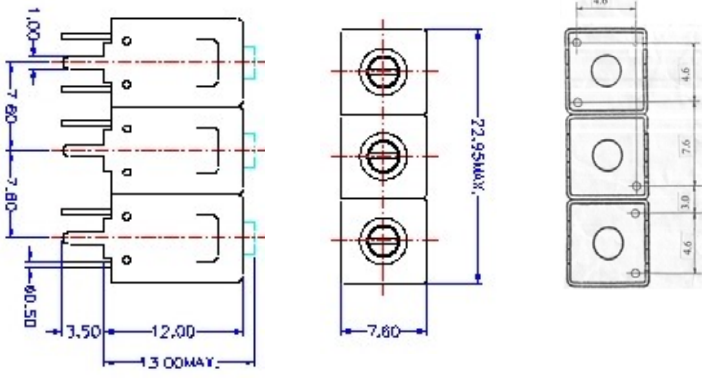


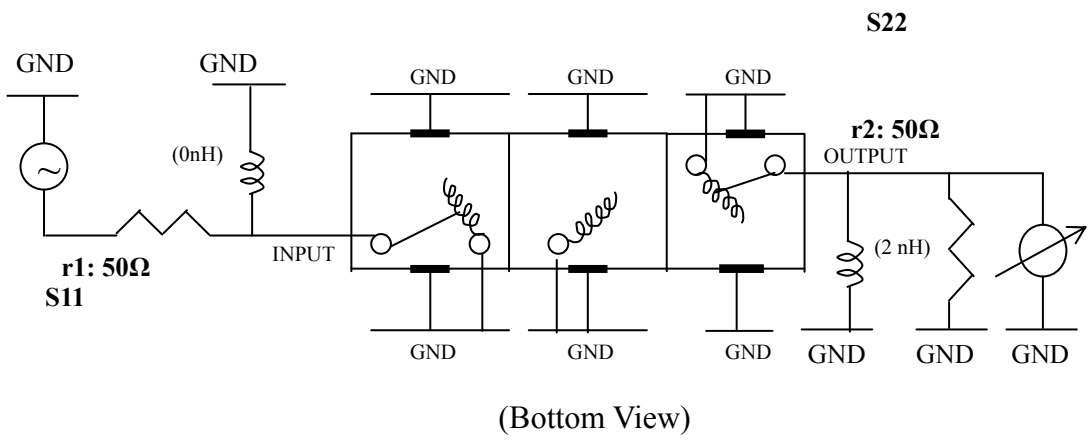
VHF UHF Helical Filter Specification Sheet

Customer Name		Temwell's Part No.	TT67861B-925M
Approval No. /dated	0605047DC	Acceptable Specify Fo Range	901~930 MHz
Work Instruction No.	0605047DC	Date	May.18.2006

<p>(1) Pin Position</p>  <p style="text-align: center;">Bottom View</p>	<p>(2) Size Diagram</p> 
--	--

(3) Electric Character		Specify	Performance
Item			
Center Freq.(Fo) +/- 0.5 %		925 MHz	925 MHz
Tunable Range		925±5 MHz	925±5 MHz
Insertion Loss		Typ. 2.0 dB	1.60 dB
-3 dB Bandwidth		Typ. 120 MHz	133.7 MHz
Sensitivity (Attenuation)	Fo - 200 MHz	Typ. 36 dBc	39 dBc
	Fo + 200 MHz	Typ. 14 dBc	17 dBc
	Fo - ()MHz	Typ. dBc	dBc
	Fo +()MHz	Typ. dBc	dBc
Return Loss		Min. 12 dB	22.6 dB
Ripple		< 1 dB	dB
Impedance		In / Out : 50 Ω	In / Out : 50 Ω
(4) Torque for Tuning Screw		> 100gf · cm	
(5) Temperature Condition:			
Operating Temperature		0°C ~ +60°C	
Storage Temperature		-20°C ~ +70°C	
(6) Input Power		> 1Watt	

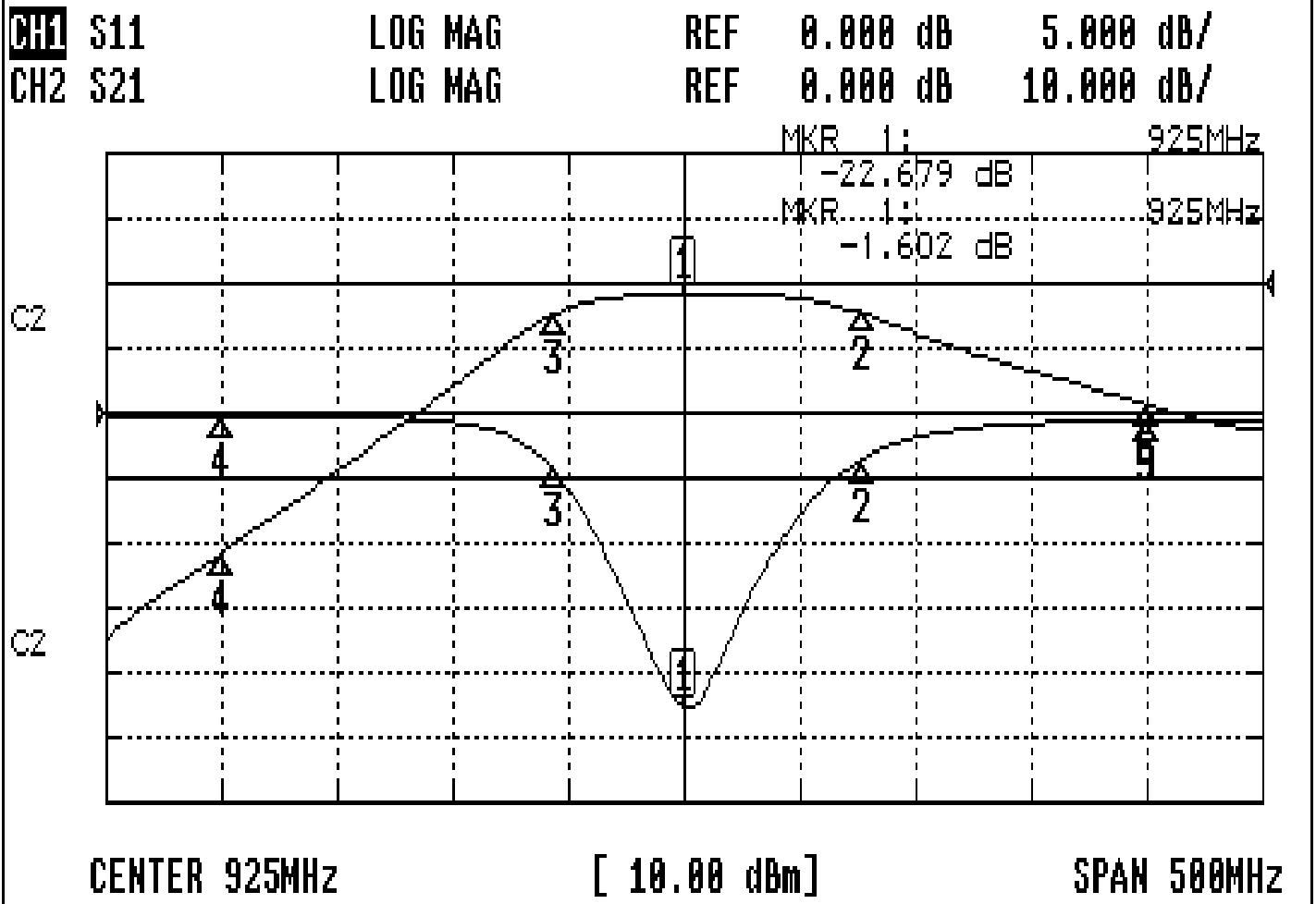
(7) Measuring Circuit: ※Easy to match Impedance S11/S22 50Ω/ by parallel with about(0nH) / (2nH).



Approval	Supervisor	Designer	Aperture size
C.Y. Chang	C.S. Chang	W.W. Wang	7H3(4*8.0)(8.03) 7H046RB6.5
TEMWELL CORPORATION			

Performance-TT67861B-925M

0605047DC



CH1 MARKER LIST

1:	925.000MHz	-22.683 dB
2:	1.002083GHz	-3.480 dB
3:	868.333MHz	-4.270 dB
4:	725.000MHz	-0.305 dB
10:	1.125000GHz	-0.544 dB

CH2 MARKER LIST

1:	925.000MHz	-1.602 dB
2:	1.002083GHz	-4.627 dB
3:	868.333MHz	-4.726 dB
4:	725.000MHz	-41.559 dB
10:	1.125000GHz	-18.689 dB