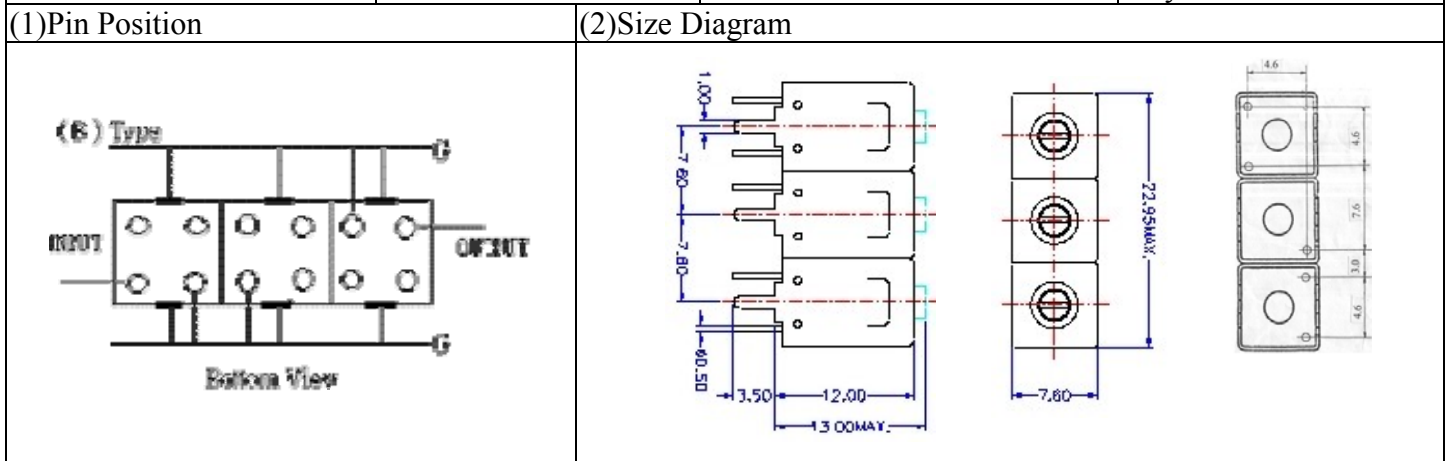


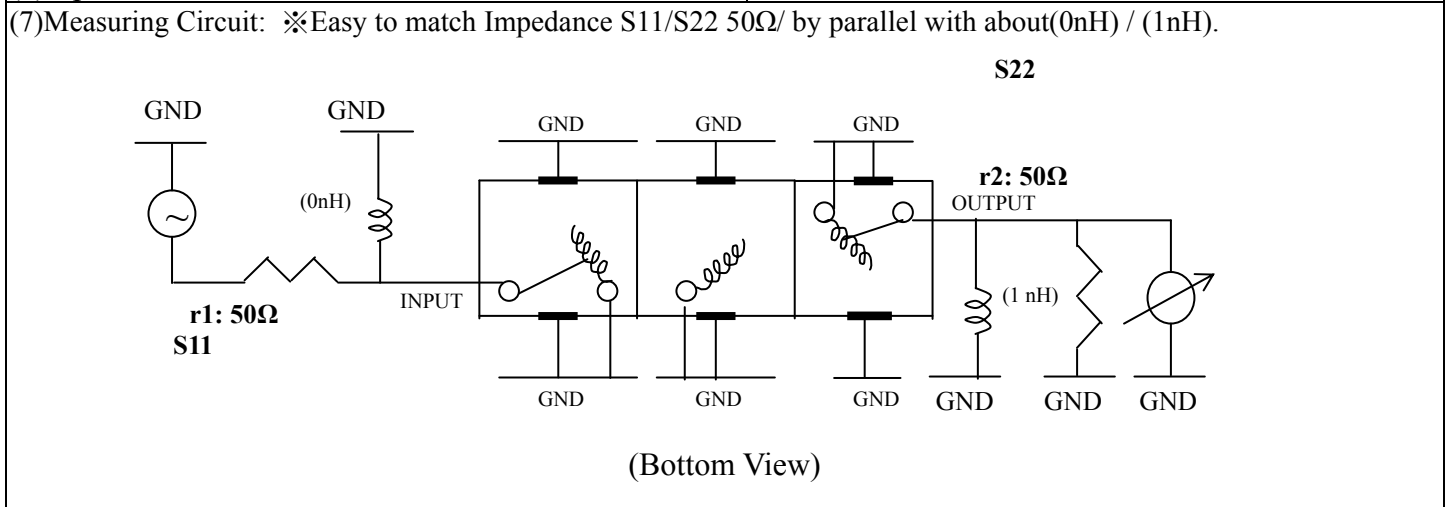
VHF UHF Helical Filter Specification Sheet

Customer Name		Temwell's Part No.	TT67862B-975M
Approval No. /dated	0605048DC	Acceptable Specify Fo Range	951~975 MHz
Work Instruction No.	0605048DC	Date	May.18.2006



(3) Electric Character			
Item	Specify		Performance
Center Freq.(Fo) +/- 0.5 %	975	MHz	975 MHz
Tunable Range	975±5	MHz	975±5 MHz
Insertion Loss	Typ. 2.5	dB	1.13 dB
-3 dB Bandwidth	Typ. 120	MHz	130.7 MHz
Sensitivity (Attenuation)	Fo -200 MHz	Typ. 40	dBc
	Fo +200 MHz	Typ. 19	dBc
	Fo -()MHz	Typ.	dBc
	Fo +()MHz	Typ.	dBc
Return Loss	Min. 12	dB	41.4 dB
Ripple	< 1	dB	dB
Impedance	In / Out : 50 Ω		In / Out : 50 Ω
(4) Torque for Tuning Screw	> 100gf • cm		

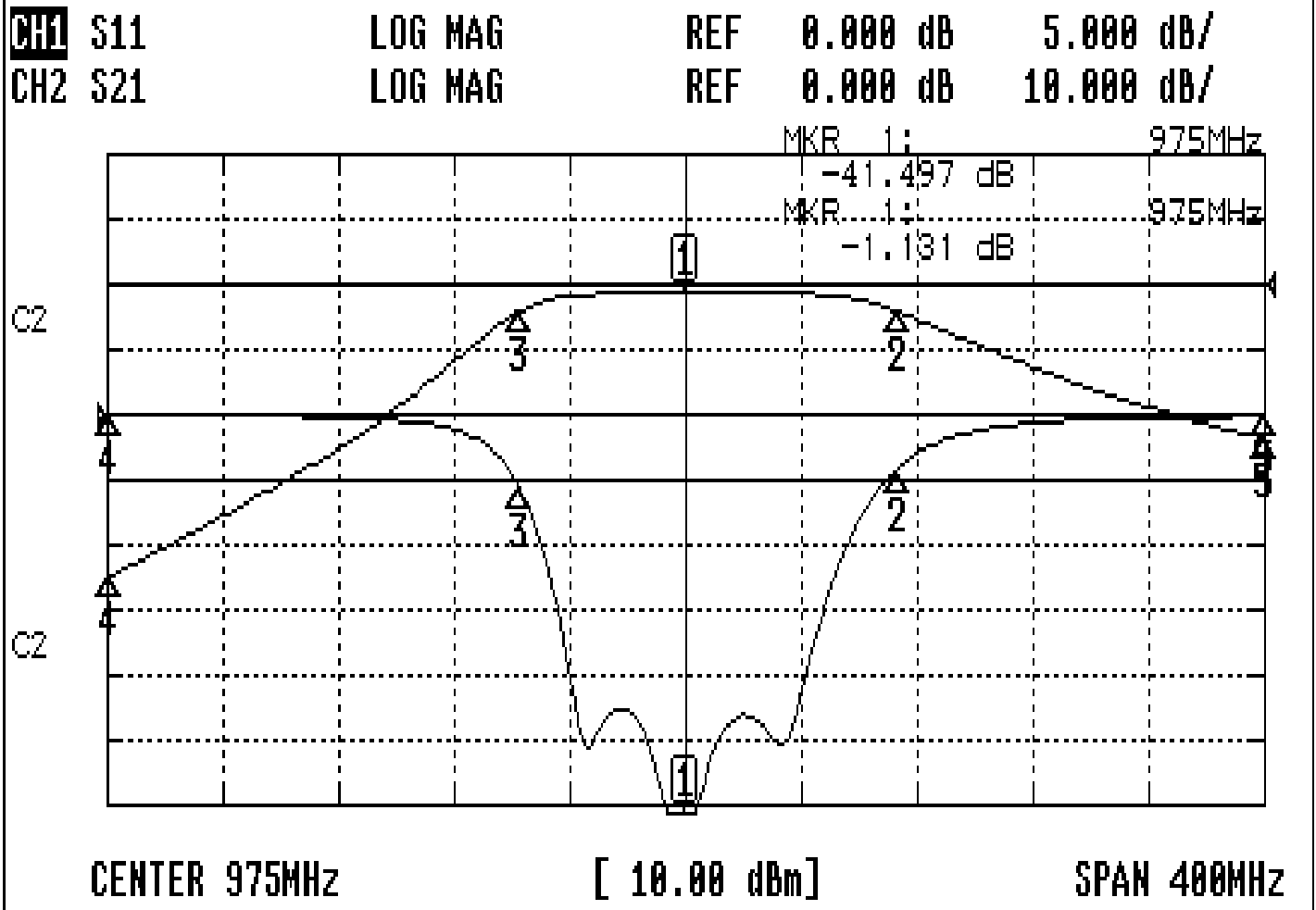
(5) Temperature Condition:	
Operating Temperature	0°C ~ +60°C
Storage Temperature	-20°C ~ +70°C
(6) Input Power	> 1Watt



Approval	Supervisor	Designer	Aperture size
C.Y. Chang	C.S. Chang	W.W. Wang	7H3(4*8.0)(8.01)F 7H046RB6.5
TEMWELL CORPORATION			

Performance-TT67862B-975M

0605048DC



CH1 MARKER LIST

1:	975.000MHz	-41.409 dB
2:	1.048 333GHz	-4.148 dB
3:	917.666MHz	-5.599 dB
4:	775.000MHz	-0.033 dB
5:	1.175 000GHz	-0.113 dB

CH2 MARKER LIST

1:	975.000MHz	-1.131 dB
2:	1.048 333GHz	-4.121 dB
3:	917.666MHz	-4.156 dB
4:	775.000MHz	-44.789 dB
5:	1.175 000GHz	-23.587 dB