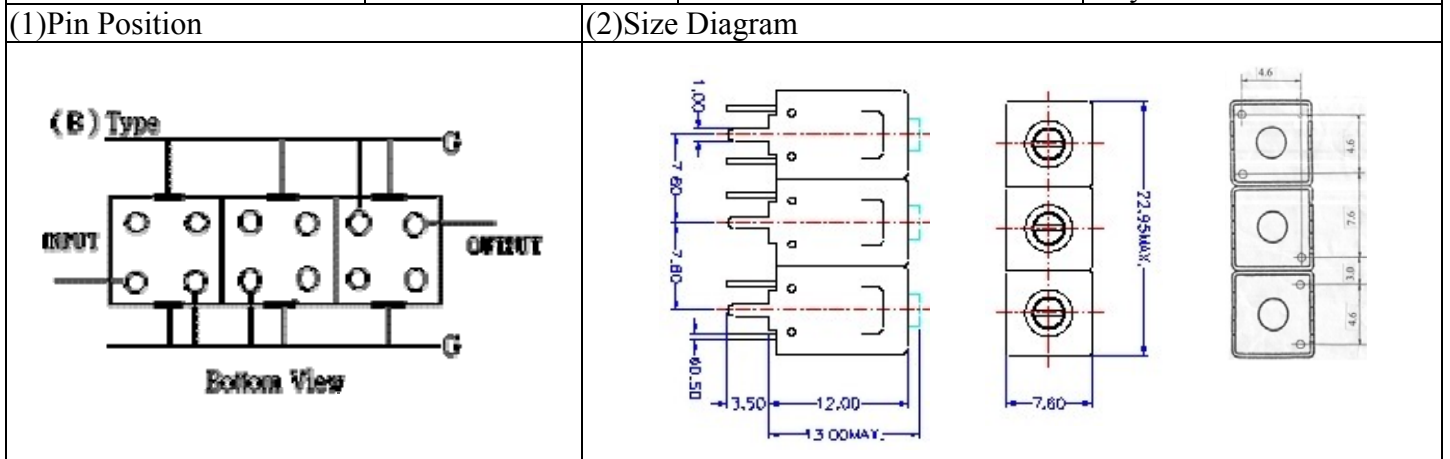


# VHF UHF Helical Filter Specification Sheet

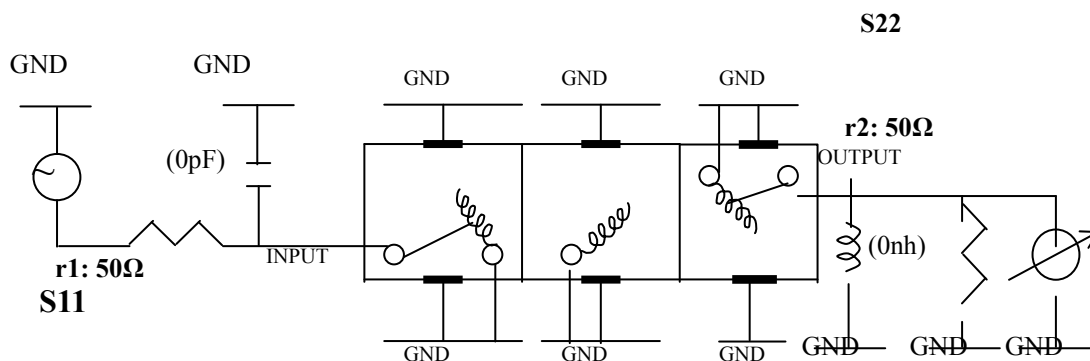
Customer Name		Temwell's Part No.	TT67865B-851M
Approval No. /dated	0605051DC	Acceptable Specify Fo Range	831-860 MHz
Work Instruction No.	0605051DC	Date	May.16.2006



(3) Electric Character			
Item	Specify		Performance
Center Freq.(Fo ) +/- 0.5 %	851	MHz	851 MHz
Tunable Range	851±5	MHz	851±5 MHz
Insertion Loss	Typ. 2.5	dB	1.17 dB
-3dB Bandwidth	Typ. 90	MHz	100.3 MHz
Sensitivity (Attenuation)	Fo - 150 MHz	Typ. 39 dB	42 dB
	Fo + 150 MHz	Typ. 21 dB	24 dB
	Fo - ( )MHz	Typ. dB	dB
	Fo +( )MHz	Typ. dB	dB
Return Loss	Min. 12	dB	22.0 dB
Ripple	< 1	dB	dB
Impedance	In / Out : 50 Ω		In / Out : 50 Ω
(4) Torque for Tuning Screw	> 100gf · cm		

(5) Temperature Condition:	
Operating Temperature	0°C ~ +60°C
Storage Temperature	-20°C ~ +70°C
(6) Input Power	> 1Watt

(7) Measuring Circuit: ※Easy to match Impedance S11/S22 50Ω/by parallel with about( 0 nh) / ( 0nh).



(Bottom View)

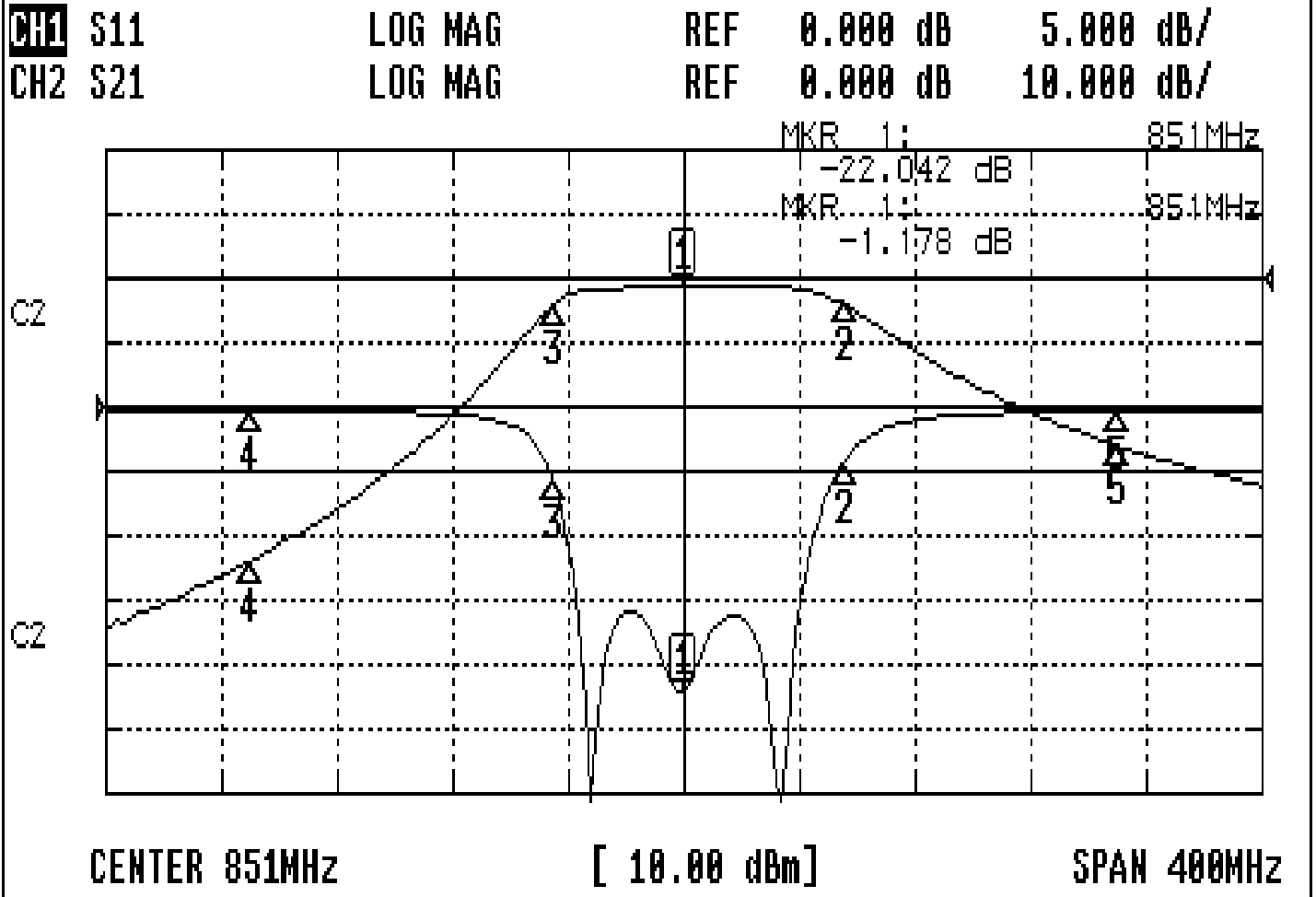
Approval	Supervisor	Designer	Aperture size
C.Y. Chang	C.S. Chang	P.H. Chiang	7H3(4*6.5)(6.57) 7H046RB6.5

TEMWELL CORPORATION

TEMWELL RP (P.H)

# Performance-TT67865B-851M

## 0605051DC



### CH1 MARKER LIST

1:	851.000MHz	-22.039	dB
2:	906.333MHz	-4.329	dB
3:	806.000MHz	-5.653	dB
4:	701.000MHz	-0.277	dB
5:	1.001000GHz	-0.319	dB

### CH2 MARKER LIST

1:	851.000MHz	-1.178	dB
2:	906.333MHz	-4.147	dB
3:	806.000MHz	-4.182	dB
4:	701.000MHz	-43.934	dB
5:	1.001000GHz	-25.956	dB