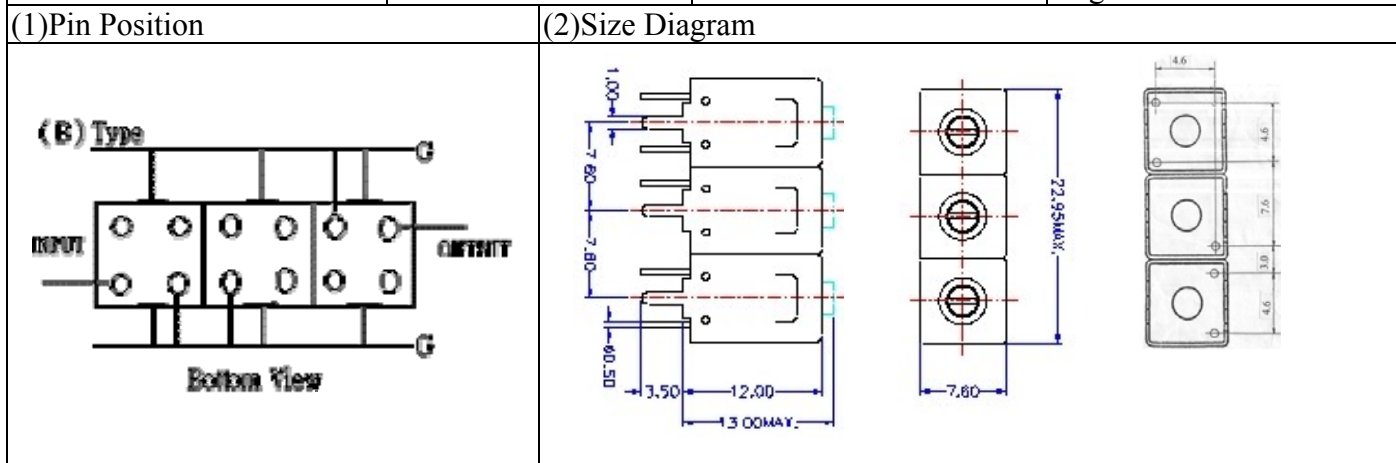


# VHF UHF Helical Filter Specification Sheet

Customer Name		Temwell's Part No.	TT67870B-450M
Approval No. /dated	0605110DC	Acceptable Specify Fo Range	401~455 MHZ
Work Instruction No.	0605110DC	Date	Aug.28.2006



(3) Electric Character

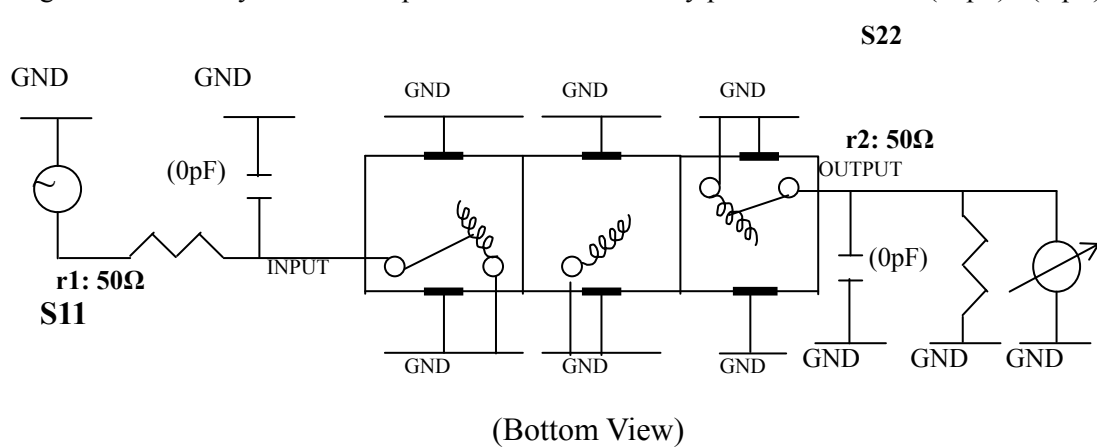
Item	Specify	Performance	
Center Freq.(Fo ) +/- 0.5 %	450 MHz	450 MHz	
Tunable Range	450±3 MHz	450±3 MHz	
Insertion Loss	Typ. 1.5 dB	0.60 dB	
-3 dB Bandwidth	Typ. 100 MHz	110.5 MHz	
Sensitivity (Attenuation)	Fo - 300 MHz	Typ. 46 dBc	49 dBc
	Fo + 300 MHz	Typ. 31 dBc	34 dBc
	Fo - ( )MHz	Typ. dBc	dBc
	Fo +( )MHz	Typ. dBc	dBc
Return Loss	Min. 12 dB	36.6 dB	
Ripple	< 1 dB	dB	
Impedance	In / Out : 50 Ω	In / Out : 50 Ω	
(4) Torque for Tuning Screw	> 100gf · cm		

(5) Temperature Condition:

Operating Temperature	0°C ~ +60°C
Storage Temperature	-20°C ~ +70°C

(6) Input Power > 1 Watt

(7) Measuring Circuit: ※Easy to match Impedance S11/S22 50Ω/by parallel with about( 0 pF) / ( 0pF).

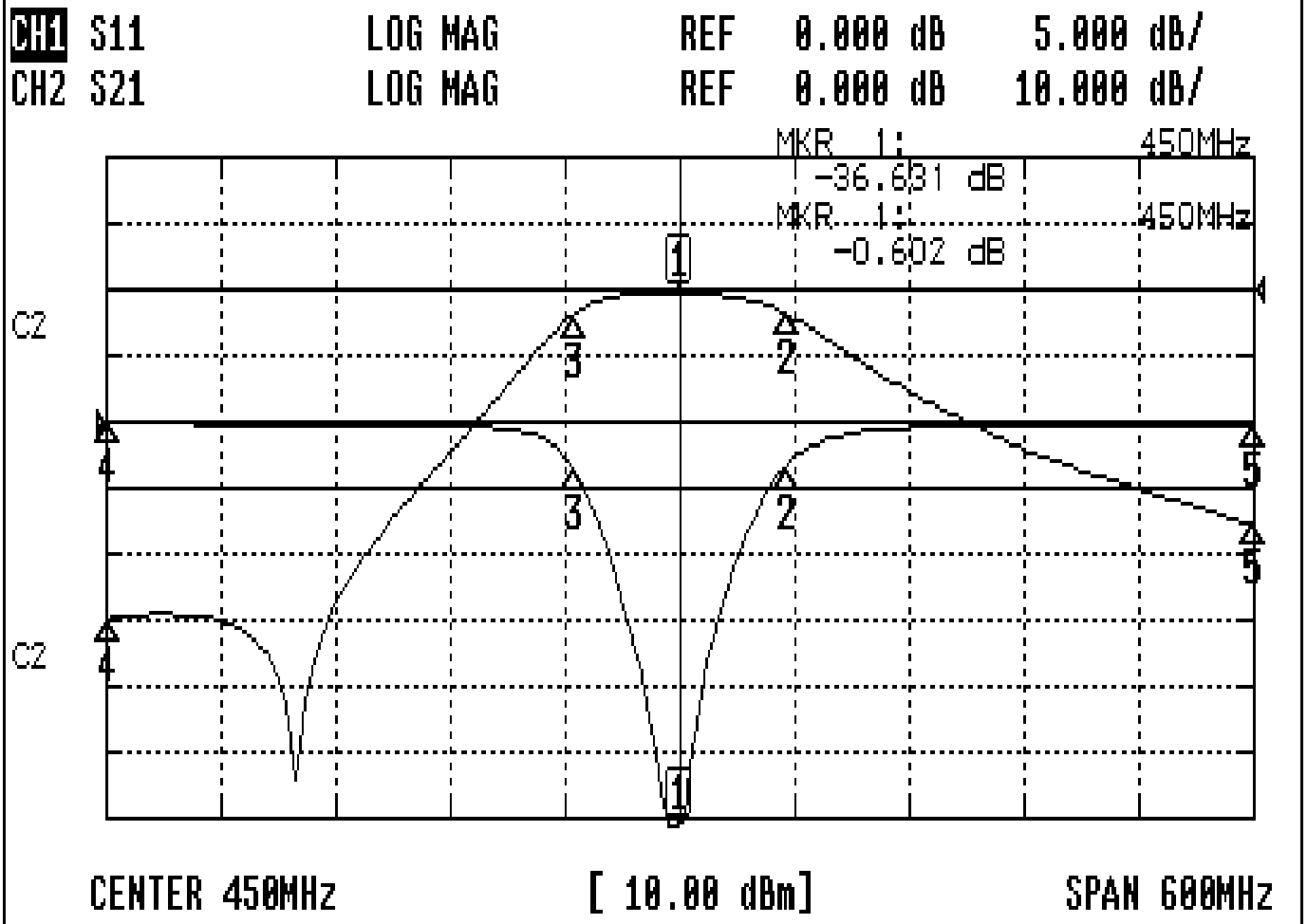


Approval	Supervisor	Designer	Aperture size
C.Y.Chang	C.S.Chang	W.W.Wang	7H3(4*8.0)(8.04)F 7H046RB6.5

TEMWELL CORPORATION

# Performance-TT67870B-450M

## 0605110DC



### CH1 MARKER LIST

1	450.000MHz	-36.631	0.000000
2	505.500MHz	-1.431	0.000000
3	395.000MHz	-1.068	0.000000
4	150.000MHz	-0.122	0.000000
5	750.000MHz	-0.329	0.000000

### CH2 MARKER LIST

1	450.000MHz	-0.602	0.000000
2	505.500MHz	-1.173	0.000000
3	395.000MHz	-0.673	0.000000
4	150.000MHz	-1.769	0.000000
5	750.000MHz	-5.514	0.000000