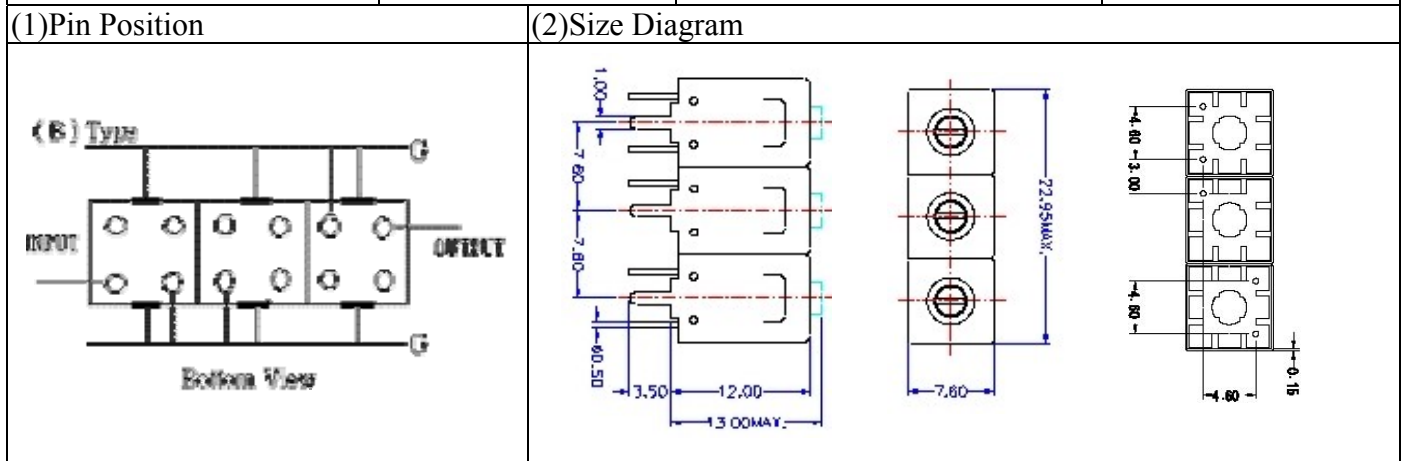


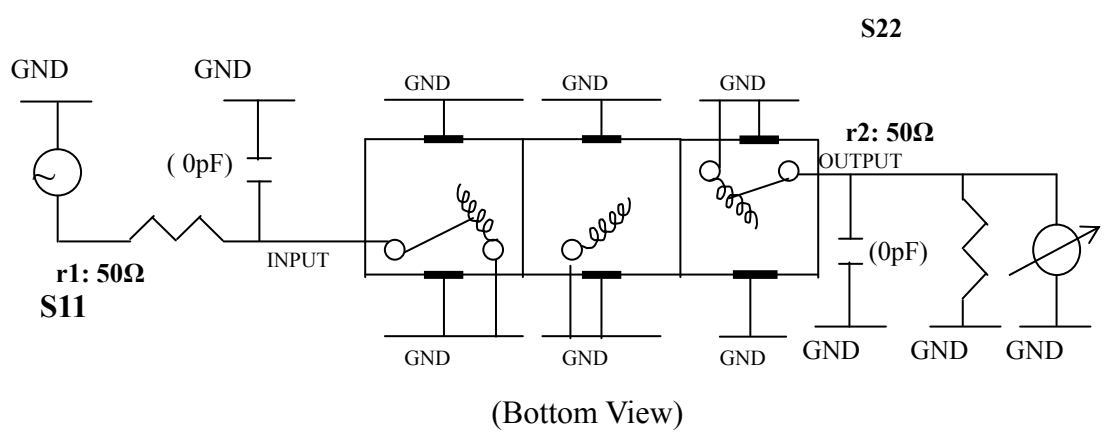
# VHF UHF Helical Filter Specification Sheet

Customer Name		Temwell's Part No.	TT67873B-535M
Approval No. /dated	200810008CD	Acceptable Specify Fo Range	516~555MHz
Work Instruction No.	200810008CD	Date	Oct.09.2008



(3) Electric Characteristic			
Item		Specify	Performance
Center Freq.(Fo) +/- 0.5 %		535 MHz	535 MHz
Tunable Range:		535±3 MHz	535±3 MHz
Insertion Loss		Typ. 2.0 dB	0.87 dB
-3 dB Bandwidth		Typ. 85 MHz	88.9 MHz
Sensitivity (Attenuation)	Fo - 200 MHz	Typ. 48 dBc	51 dBc
	Fo + 200 MHz	Typ. 29 dBc	32 dBc
	Fo - ( )MHz	Typ. dBc	dBc
	Fo + ( )MHz	Typ. dBc	dBc
Return Loss		Min. 12 dB	20.5 dB
Ripple		< 1 dB	dB
Impedance		In / Out : 50 Ω	In / Out : 50 Ω
(4) Torque for Tuning Screw		> 100gf • cm	
(5) Temperature Condition:			
Operating Temperature		0°C ~ +60°C	
Storage Temperature		-20°C ~ +70°C	
(6) Input Power		> 1Watt	

(7) Measuring Circuit: ※Easy to match Impedance S11/S22 50Ω by parallel with about(0pF) / (0pF).



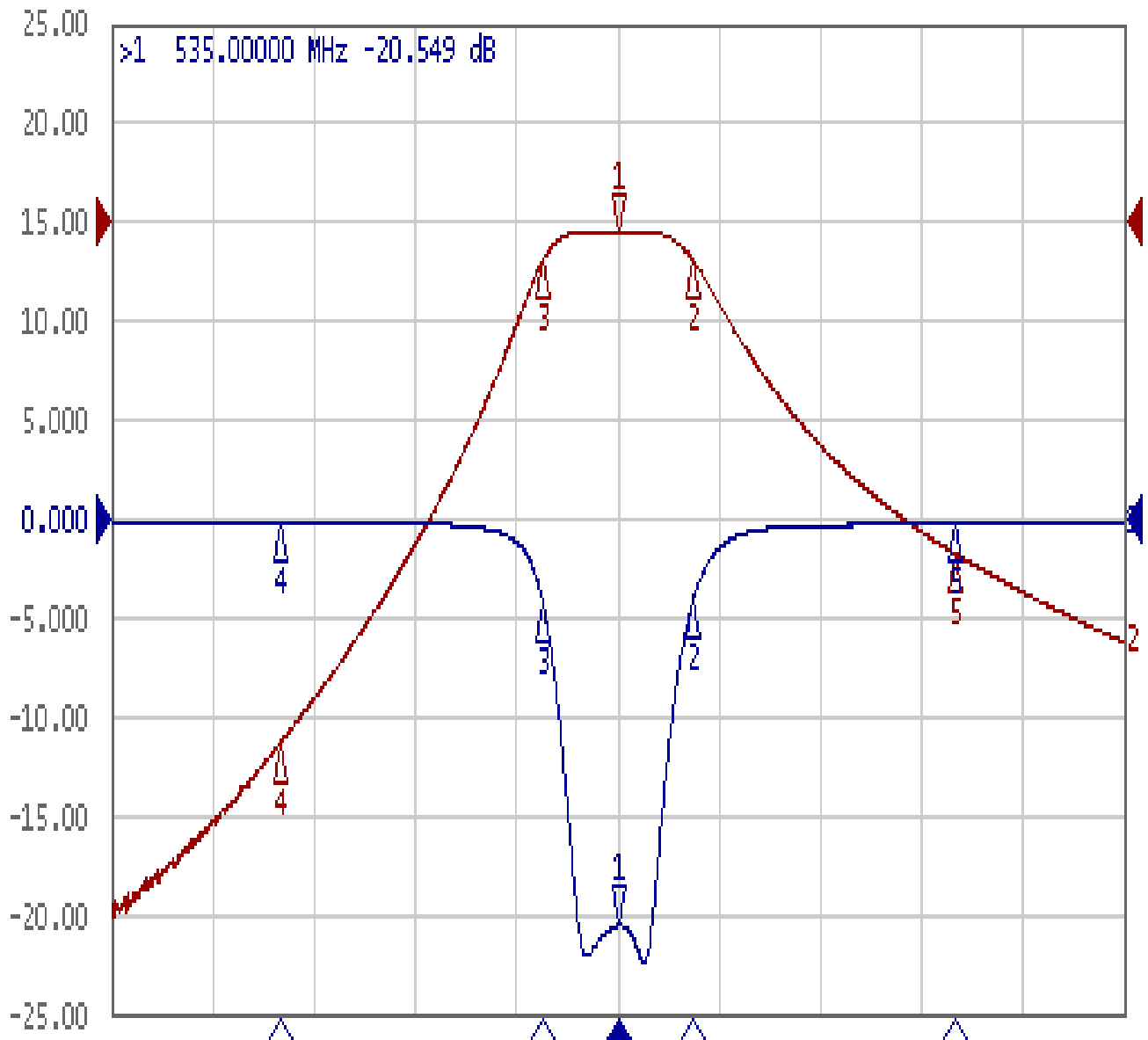
Approval	Supervisor	Designer	Aperture size
C.Y.Chang	C.S.Chang	C.S.Chang	7H3S(4*5.5F) 7H046RB6.5

TEMWELL CORPORATION

# Performance-TT67873B-535M

## 200810008CD

▶ Tr1 S11 Log Mag 5.000dB/ Ref 0.000dB [F3]  
Tr2 S21 Log Mag 10.00dB/ Ref 0.000dB [F3]



1 Center 535 MHz

IFBW 10 kHz

Span 600 MHz



Ch1	Tr1	S11	>1	535.00000	MHz	-20.549	dB
Ch1	Tr1	S11	2	579.56600	MHz	-4.0699	dB
Ch1	Tr1	S11	3	490.62300	MHz	-4.3018	dB
Ch1	Tr1	S11	4	335.00000	MHz	-0.1550	dB
Ch1	Tr1	S11	5	735.00000	MHz	-0.2557	dB
Ch1	Tr2	S21	1	535.00000	MHz	-0.8799	dB
Ch1	Tr2	S21	2	579.56600	MHz	-3.8904	dB
Ch1	Tr2	S21	3	490.62300	MHz	-3.8169	dB
Ch1	Tr2	S21	4	335.00000	MHz	-52.638	dB
Ch1	Tr2	S21	5	735.00000	MHz	-33.532	dB