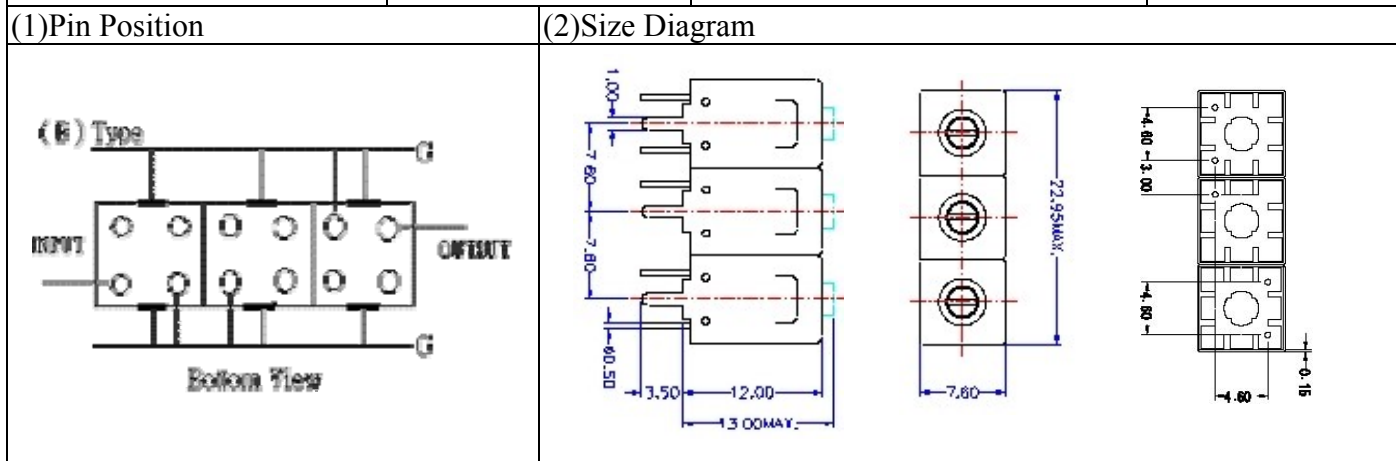


VHF UHF Helical Filter Specification Sheet

Customer Name		Temwell's Part No.	TT67878B-880M
Approval No. /dated	200810011CD	Acceptable Specify Fo Range	861~900MHz
Work Instruction No.	200810011CD	Date	Oct.07.2008



(3) Electric Charasteric

Item		Specify	Performance
Center Freq.(Fo) +/- 0.5 %		880 MHz	880 MHz
Tunable Range:		880±5 MHz	880±5 MHz
Insertion Loss		Typ. 2.0 dB	1.20 dB
-3 dB Bandwidth		Typ. 90 MHz	97.2 MHz
Sensitivity (Attenuation)	Fo - 200 MHz	Typ. 50 dBc	53 dBc
	Fo + 200 MHz	Typ. 26 dBc	29 dBc
	Fo - ()MHz	Typ. dBc	dBc
	Fo +()MHz	Typ. dBc	dBc
Return Loss		Min. 12 dB	25.8 dB
Ripple		< 1 dB	dB
Impedance		In / Out : 50 Ω	In / Out : 50 Ω

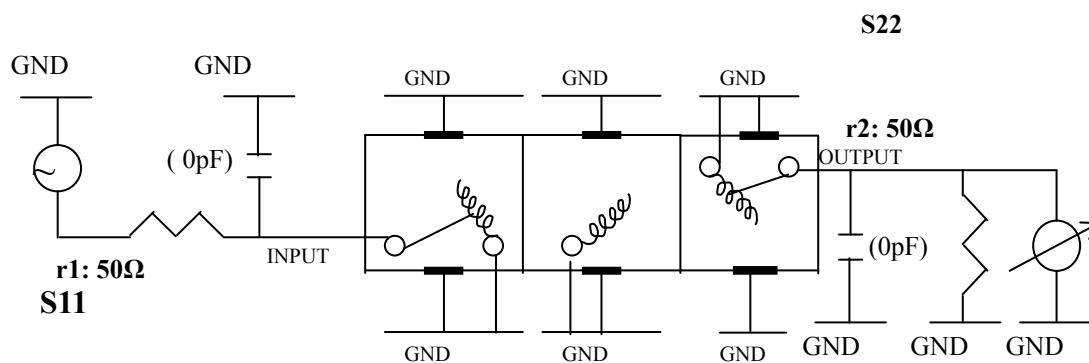
(4) Torque for Tuning Screw > 100gf · cm

(5) Temperature Condition:

Operating Temperature	0°C ~ +60°C
Storage Temperature	-20°C ~ +70°C

(6) Input Power > 1Watt

(7) Measuring Circuit: ※Easy to match Impedance S11/S22 50Ω by parallel with about(0pF) / (0pF).



(Bottom View)

Approval	Supervisor	Designer	Aperture size
C.Y.Chang	C.S.Chang	C.S.Chang	7H3S(4*8.0F) (7H046RB5.5)

TEMWELL CORPORATION

Performance-TT67878B-880M

200810011CD

